

NON-CONTACT HIGH VOLTAGE DETECTOR



T277

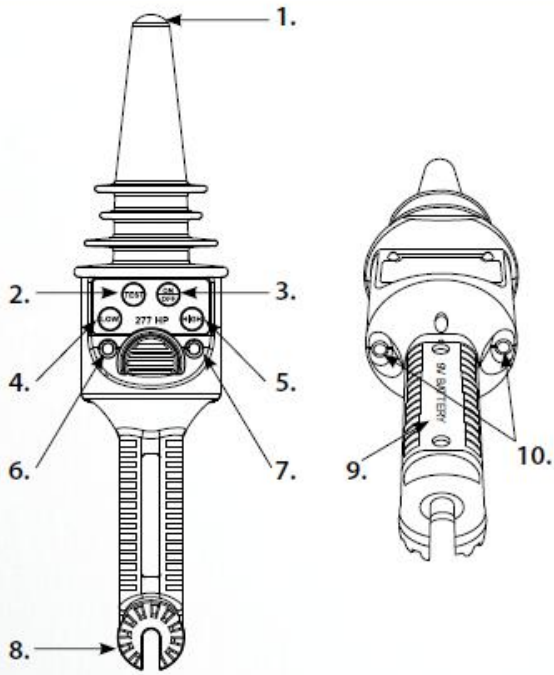
FEATURES

- ▶ The T277 is an ideal tool for checking the presence of AC high voltages and AC low voltages in cables, wall outlet, fuses....etc. The T277 provides a non-contact detection for AV voltages from 50V~132kV. It's also for industrial, utility and mine safety applications.
- ▶ 2 ranges for selection (2 function buttons)
 - LOW (50V~1.5kV) : Press the LOW button, T277 is ready for low voltage detection.
 - HIGH *1.5kV~132kV) : Press the HIGH button, T277 is ready for high voltage detection.
- ▶ Power consumption :
 - Off : Less than 5uA
 - Low voltage detection mode : Less than 40mA
 - High voltage detection mode : Less than 40mA
- ▶ Circuit test function
 - Press the Test button to make sure the whole circuit is working well before testing actual high voltage circuits.
- ▶ Optional accessory :
 - HS175 Telescopic hot stick (triangle-type)
 - THS120 Hot Stick

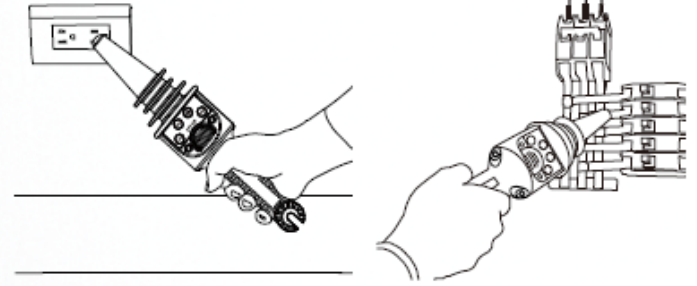
APPLICATIONS

- ▶ Non-contact detection of live voltages
- ▶ Find faults in cables
- ▶ Check and detect live high voltage cables
- ▶ Trace live wires
- ▶ Check high frequency radiation
- ▶ Check grounding equipment
- ▶ Detect residual or induced voltages

Instrument Layout

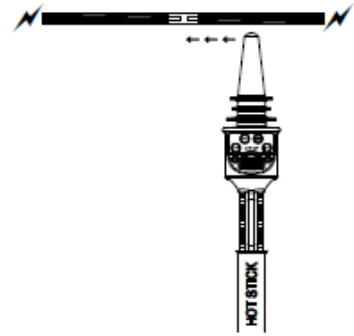


- | | |
|----------------------|--------------------------------------|
| 1. Voltage sensor | 6. LOW range LED |
| 2. TEST button | 7. HIGH range LED |
| 3. ON/OFF button | 8. The connection point of Hot Stick |
| 4. LOW range button | 9. Battery cover |
| 5. HIGH range button | 10. Blue LEDs for detection |

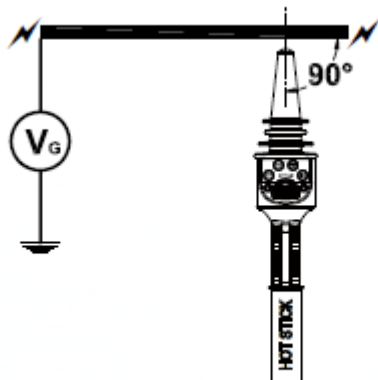


• Voltage detection for a wall outlet

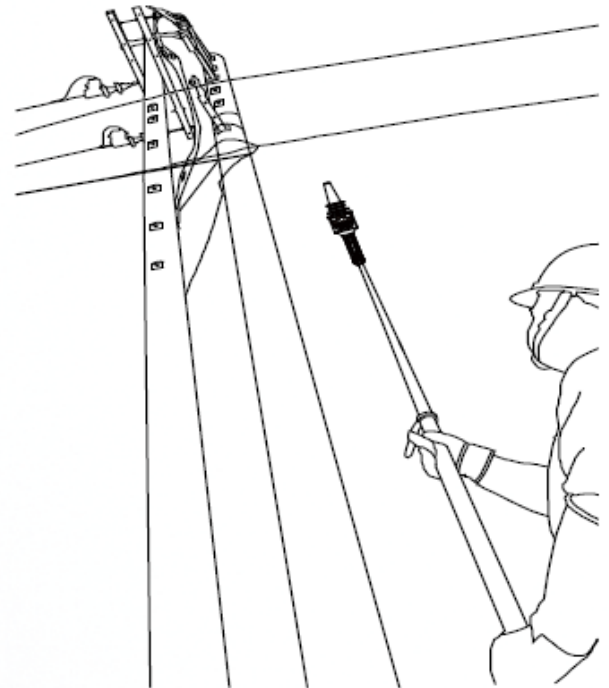
• For finding a break



• For finding a break of cable



• The ideal detection angle



• Voltage detection for a line

* Appearance and specifications listed in this brochure are subject to change without notice.