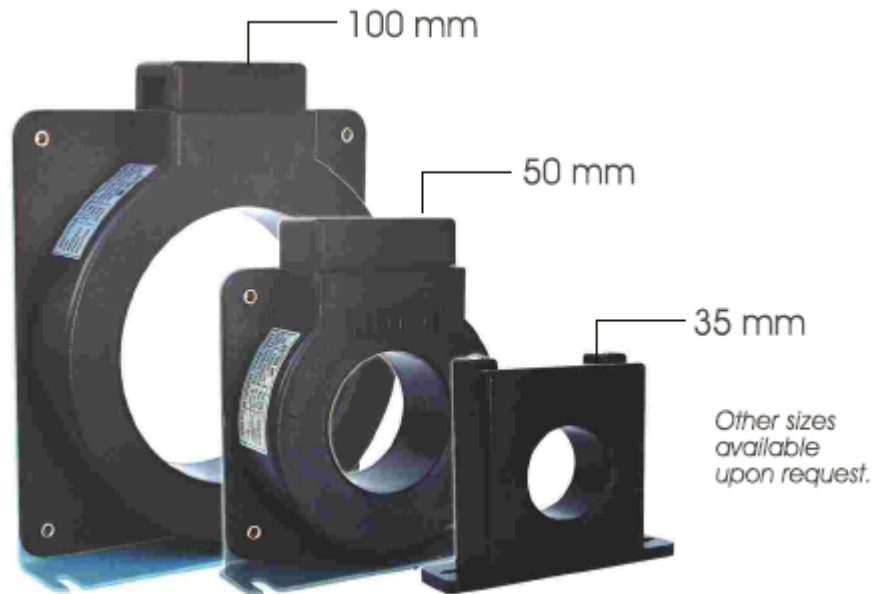


Z.C.T. ZERO PHASE CURRENT TRANSFORMER

A ring type Zero Phase Current Transformer is used to detect and provide the continuous measurement of the leakage current.



Z.C.T.	83905	83906	
Frequency	50 / 60 Hz		
Current Ratio	200 / 1.5		
Insulation	600V / 50 Hz 1 min.		
Sec. Burden	10 Va		
Weight	~720g	~1.4 kg	
Hole Diameter	50 mm	100 mm	
Dimension (A x B x C)	125 x 112 x 35	183 x 153 x 35	
Z.C.T. dimension is measured in mm.			