

## Description

YBY series pressure switch is creating a difference with compact design. The pressure switch which is used in high pressure washing machines usually, is manufactured by brass which has high corrosion speciality.

- Stable pressure value
- NBR and Teflon sealing equipments.
- It has long life thanks to high quality micro switch.
- It has specialty to work on high vibration.
- It is connected with G1/4"-G1/8"-G3/8" grland connections.
- 1 meter cable height.
- SPTD contact (NC/NO)

## Applications

- High pressure washing machines
- Media; Compressed air, liquids, gases

## Technical Specifications

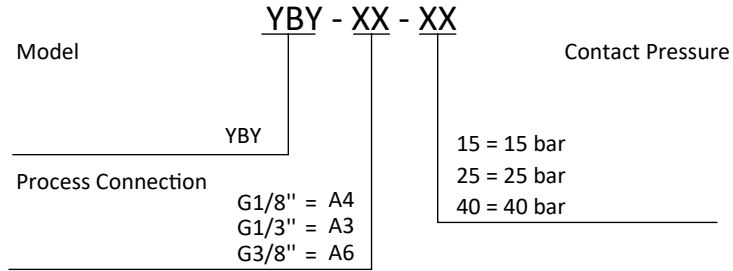
Connection Type	: G1/4"-G1/8"-G3/8"
Reproducibility	: Within %1 of set pressure
Protective Class	: IP55
Vibration test ( DIN EN 60068-2-6:1996 )	: 20 g (Test Time 30 dk)
Shock Test ( DIN EN 60068-2-27:1993 )	: 30 g
Working Cycle	: 5 000 000 Cycles
Viscosity Range	: 10 ile 800 mm2/sec

### NOTES

These values are maximum values and they can not be used at the same me. When you need to use the pressure switch in aggressive chemicals or fluids please contact with us. You must stict to rules of clearance standarts Hydraulic oils (fluids). Use filtration to blocking system errors. It is effective for long working life of pressure switches. Please avoid using out of indicated values to have a long service from pressure switch.

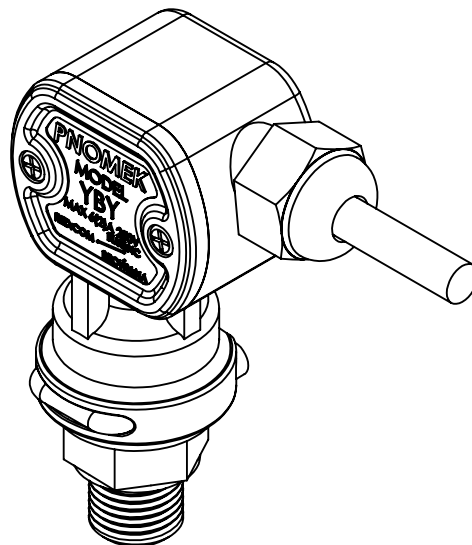


Order Code



YBY Model Pressure Switch Technical Data							
Order Code	Max. System Pressure	Contact Type	Contact Pressure	Pressure Differential	Process Connection		
YBY A4 15	350 BAR	SPDT NA/NC	15 bar	±%10	G1/8"		
YBY A3 15					G1/4"		
YBY A6 15					G3/8"		
YBY A4 25			25 bar	±%8	25 bar	±%8	G1/8"
YBY A3 25							G1/4"
YBY A6 25							G3/8"
YBY A4 40			40 bar	±%6	40 bar	±%6	G1/8"
YBY A3 40							G1/4"
YBY A6 40							G3/8"

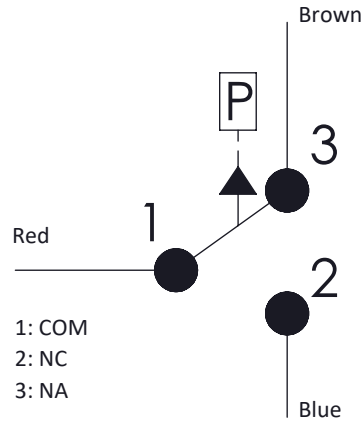
Min Order (pcs) : 50



## Electrical Connection Specifications

Max Voltage : 250 V  
Max Current : 6 (A) AC  
Cable : 1 metre - 3x0,35 mm<sup>2</sup>

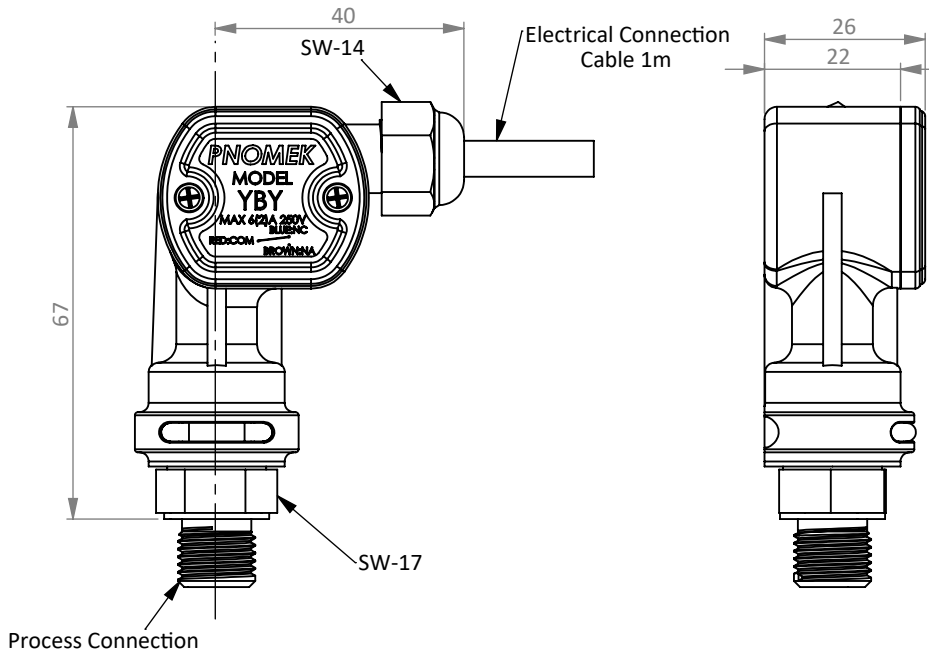
Cable NO	Cable Color	Contact
1	Red	COM
2	Blue	NC
3	Brown	NA



### Switch Function

- Terminal 1 - 3 : When pressure rises, pressure switch has current ( NA )
- Terminal 1 - 2 : When pressure rises or it has not any pressure, pressure switch has current ( NC )

## Technical Dimensions



Process Connection	
A4	G1/8"
A3	G1/4"
A6	G3/8"

Weight : 110 gr