

HY-Motor run capacitor series (CBB60)

1 Main Feature

Low dissipation factor, small inherent temperature rise, excellent self-healing stability, safety and high voltage withstand, etc.

2 Applications

Low dissipation factor, small inherent temperature rise, excellent self-healing stability, safety and high voltage withstand, etc.

3 Manufacturing

Self-healing metallized polypropylene film capacitors

Non inductive winding.

Wound capacitor elements fully immersed into resin.

Self-extinguishing plastic case.

Executions:

Flat bottom-metal fixing stud $M8 \times 1.2$

faston terminals 0.8×6.35 simple or double

standard distance $p=13.2\text{mm} \pm 0.5$

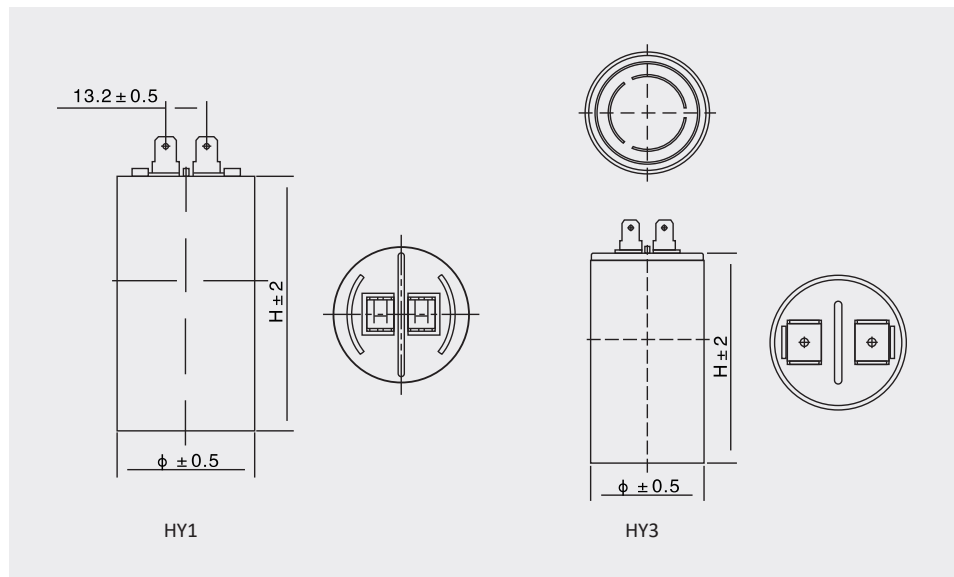
unipolar cable-bipolar cable

discharge resistance-Dialsic cover

4 Technical Parameters

Capacitance range	1-150 μf
Rated voltage U_n	250V.ac/400/450V.ac
Rated frequency	50Hz;60Hz
Capacitance tolerance	$\pm 5\%$; $\pm 10\%$
Climatic category	-25+70°C
Dissipation factor(at 50Hz-Hz and 20°C)	$\leq 0.002(100\text{Hz}, 20^\circ\text{C})$
Test voltage between terminals	$2 \times U_n$ for 3s
Test voltage between terminals and case	$2 \times U_n + 1000\text{VDC}$ FOR 2s
Reference standard	EN 60252-1:2001;IEC252

5 Products Overall dimension



HY1



HY2



HY3



HY4



HY5



HY6



HY1-A



HY6-B



HY12



HY9



HY10



HY13

6 Outline size

Capacitance(μ f)	250 V. ac-450 V. ac Φ D \times H(mm)
3 μ f	25 \times 57
3.5 μ f	25 \times 57
4 μ f	25 \times 57
4.5 μ f	32 \times 55
5 μ f	32 \times 55
6 μ f	32 \times 55
8 μ f	32 \times 55
10 μ f	36 \times 58
12 μ f	36 \times 70
15 μ f	40 \times 70
16 μ f	40 \times 70
18 μ f	40 \times 70
20 μ f	40 \times 70
21 μ f	40 \times 70
22 μ f	40 \times 70
25 μ f	45 \times 70
30 μ f	45 \times 92
31.5 μ f	45 \times 92
35 μ f	45 \times 92
36 μ f	45 \times 92
40 μ f	45 \times 92
45 μ f	50 \times 92
47 μ f	50 \times 92
50 μ f	50 \times 92
55 μ f	50 \times 117
60 μ f	50 \times 117
65 μ f	50 \times 117
70 μ f	55 \times 120
75 μ f	55 \times 120
80 μ f	60 \times 120
85 μ f	60 \times 120
90 μ f	60 \times 120
95 μ f	60 \times 120
100 μ f	60 \times 120

* Special requirement can be fulfilled at the request Of Customers

7 Products Overall dimension

