

Table 9 (cont.)

| Cat. No. | Models | Fuse link models | Rated insulation voltage(V) | Conventional free air thermal current(A) | Dimensions (mm) | | | | | Weight (g) | |
|----------|------------|------------------|-----------------------------|------------------------------------------|-----------------|-----|-----|----|----|------------|-----|
| | | | | | Fig. | A1 | A2 | B | H1 | | H2 |
| 0909 | RT18-32(X) | 10 × 38 | 500 | 32 | 9.5 | 79 | 81 | 18 | 61 | 80 | 59 |
| 0910 | RT18B-10 | 8.5 × 23 | 500 | 10 | 9.5 | 80 | 82 | 18 | 60 | 78 | 59 |
| 0911 | RT18B-16 | 10 × 25.8 | 500 | 16 | 9.5 | 80 | 82 | 18 | 60 | 78 | 59 |
| 0912 | RT18B-20 | 8.5 × 31.5 | 500 | 20 | 9.5 | 80 | 82 | 18 | 60 | 78 | 59 |
| 0913 | RT18B-25 | 10 × 31.5 | 500 | 25 | 9.5 | 80 | 82 | 18 | 60 | 78 | 59 |
| 0914 | RT18B-32 | 10 × 38 | 500 | 32 | 9.5 | 80 | 82 | 18 | 60 | 78 | 59 |
| 0915 | RT18C-10 | 8.5 × 23 | 500 | 10 | 9.5 | 77 | 78 | 18 | 62 | 81 | 56 |
| 0916 | RT18C-16 | 10 × 25.8 | 500 | 16 | 9.5 | 77 | 78 | 18 | 62 | 81 | 56 |
| 0917 | RT18C-20 | 8.5 × 31.5 | 500 | 20 | 9.5 | 77 | 78 | 18 | 62 | 81 | 56 |
| 0918 | RT18C-25 | 10 × 31.5 | 500 | 25 | 9.5 | 77 | 78 | 18 | 62 | 81 | 56 |
| 0919 | RT18C-32 | 10 × 38 | 500 | 32 | 9.5 | 77 | 78 | 18 | 62 | 81 | 56 |
| 0920 | RT18M-32 | 10 × 38 | 500 | 32 | 9.5 | 78 | 78 | 18 | 60 | 80 | 56 |
| 0921 | HG30-32 | 10 × 38 | 500 | 32 | 9.5 | 78 | 80 | 18 | 73 | 88 | 57 |
| 0922 | RT18-63(X) | 14 × 51 | 500 | 63 | 9.5 | 103 | 105 | 27 | 80 | 110 | 192 |

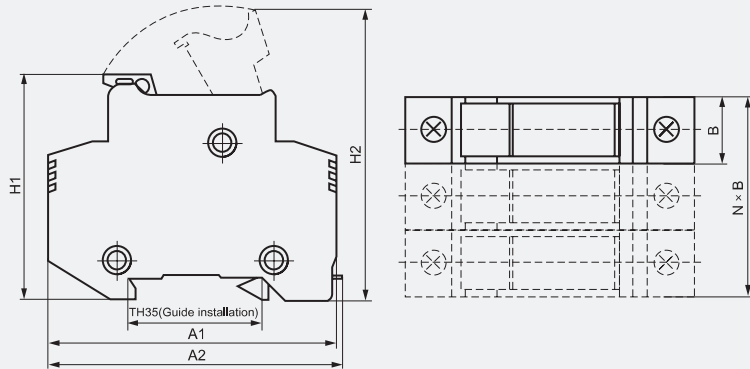


Figure 9.5

Table 9 (cont.)

| Cat. No. | Models | Fuse link models | Rated insulation voltage(V) | Conventional free air thermal current(A) | Dimensions (mm) | | Weight (g) |
|----------|----------|------------------|-----------------------------|------------------------------------------|-----------------|--|------------|
| | | | | | Fig. | | |
| 0923 | RT18N-10 | 8.5 × 23 | 500 | 10 | See figure 9.6 | | 70 |
| 0924 | RT18N-16 | 10 × 25.8 | 500 | 16 | See figure 9.6 | | 62 |
| 0925 | RT18N-20 | 8.5 × 31.5 | 500 | 20 | See figure 9.6 | | 63 |
| 0926 | RT18N-25 | 10 × 31.5 | 500 | 25 | See figure 9.6 | | 62 |
| 0927 | RT18N-32 | 10 × 38 | 500 | 32 | See figure 9.6 | | 62 |

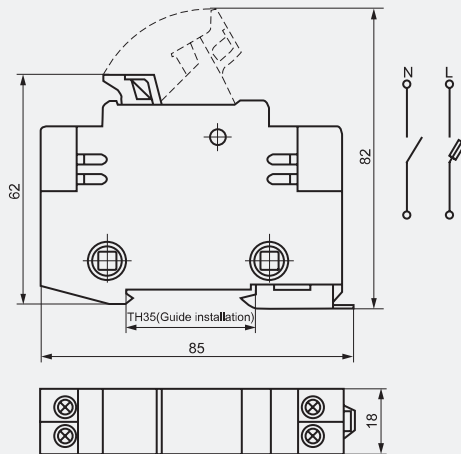


Figure 9.6

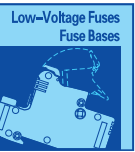


Table 9 (cont.)

| Cat. No. | Models | Fuse link models | Rated insulation voltage(V) | Conventional free air thermal current(A) | Dimensions (mm) | | | | | Weight (g) | |
|----------|-----------|------------------|-----------------------------|------------------------------------------|-----------------|-----|-----|----|----|------------|-----|
| | | | | | Fig. | A1 | A2 | B | H1 | | H2 |
| 0928 | RT18L-63 | 14 × 51 | 690 | 63 | 9.7 | 108 | 115 | 27 | 78 | 100 | 114 |
| 0929 | RT18L-125 | 22 × 58 | 690 | 125 | 9.7 | 126 | 134 | 36 | 78 | 104 | 182 |

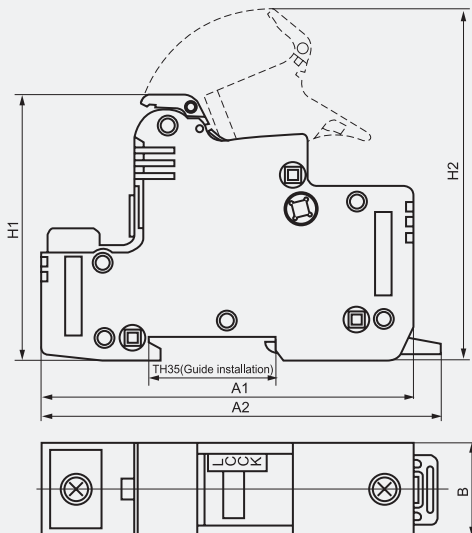


Figure 9.7



Table 9 (cont.)

| Cat. No. | Models | Fuse link models | Rated insulation voltage(V) | Conventional free air thermal current(A) | Dimensions (mm) | | | | | | Weight (g) | |
|----------|----------|------------------|-----------------------------|------------------------------------------|-----------------|-----|-----|----|----|-----|------------|-----|
| | | | | | Fig. | A1 | A2 | B | H1 | H2 | | φd |
| 0930 | HG30-63 | 14 × 51 | 500 | 63 | 9.8 | 107 | 80 | 27 | 80 | 102 | 4.5 | 167 |
| 0931 | HG30-125 | 22 × 58 | 500 | 125 | 9.8 | 140 | 110 | 36 | 90 | 109 | 4.5 | 185 |

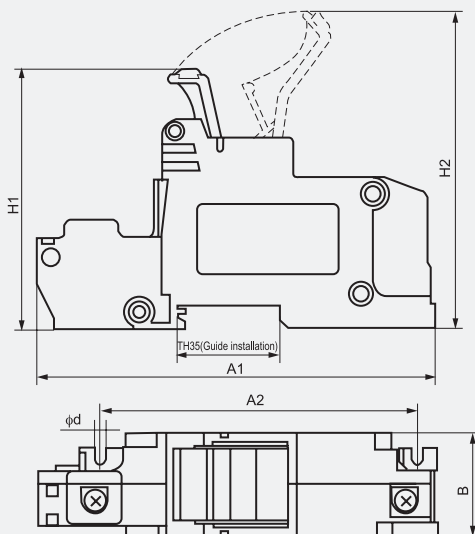


Figure 9.8

