

# DST400 Overview

 Programmable  
by RFID /NFC  
No wiring required!



## Pressure transmitter with display

Analogue output mA / V

2x PNP digital alarm outputs

Rescalable till 1:2 full scale

Display and electrical connection are independently rotatable 335° / 343°

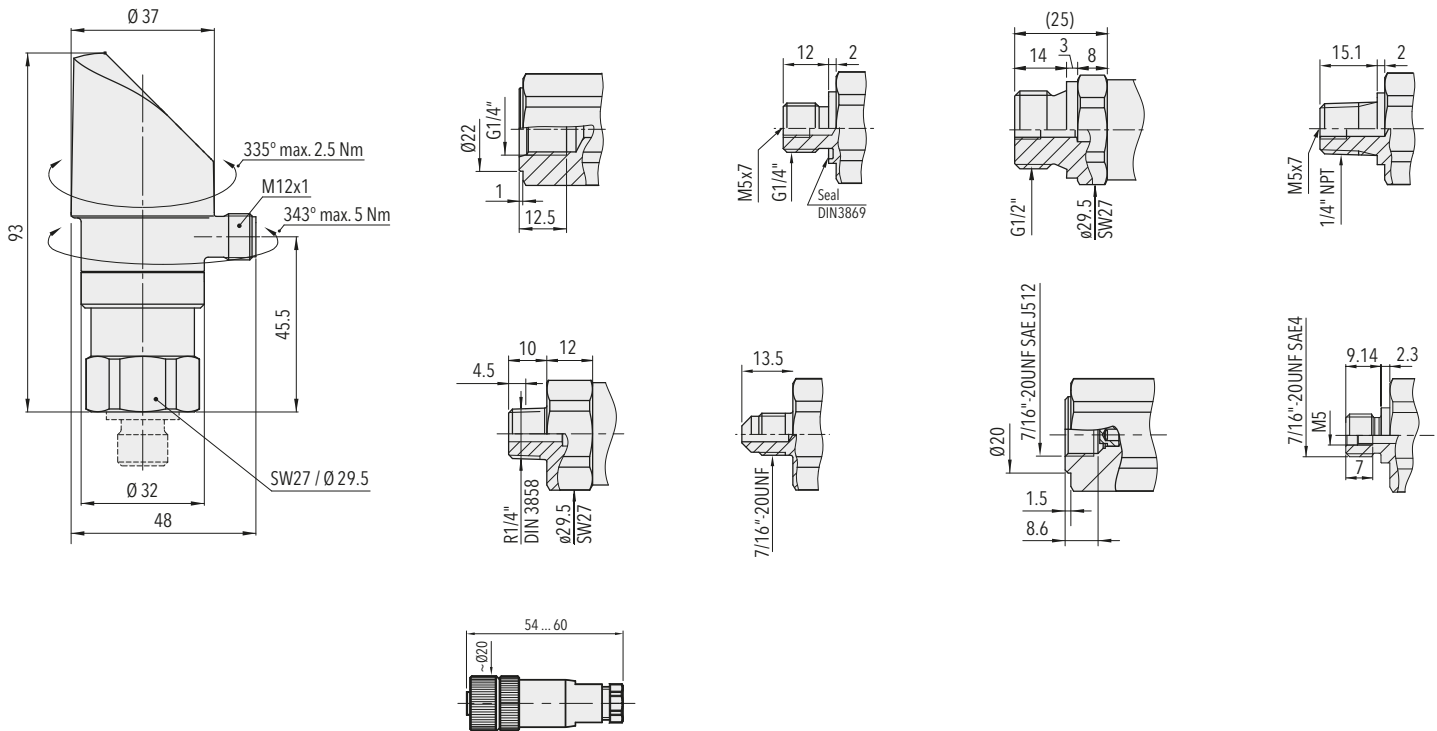
### Pixsys srl

Via Po 16, I - 30030 Mellaredo di Pianiga VE  
Ph. +39 041 519 0518 • Fax +39 041 519 0027

www.pixsys.net - sales@pixsys.net



# Dimensions - Process Connection



## Main features

Box	93 x 37 mm
Power supply	15..30 VDC
Power consumption	Max 0,6 W
Operating conditions	Temperature -25..+85 °C, humidity 35..95 RH%
Material	Sensor housing steel galvanised, display housing plastic
Weight	Approx. 189 g
Sealing	IP65 - FPM, NBR, EPDM


## Technical data

Measuring range	0..1 to 0..400 Bar adjustable 50..100% F.S.
Sensor type	Thick film on Ceramic (0..1 Bar) - Thin film on steel (> 1 Bar)
Pressure connection	1/4" GAS
Electric connection	5 Pole Male M12x1
Housing orientation	Display 335° rotatable - Electrical connection 343° rotatable
Sensor working temperature	- 25..+ 85°C
Accuracy	(@25°C ± 0,5% F.S.)

## Outputs

2 digital	Transistor PNP max 500 mA
1 analogue	Selectable 4..20 mA / 0..10 V

## Software features

Analogue output	Switchable mA or V
Alarm modes	
Display	4 Digit 1..3 decimal points
Pressure unit	Selectable Bar, Psi, MPa, kPa, m WC, mm WC
Datalogger	Ring buffer: 3518 data points - Sampling time: 0.1 ... 999.9 s, Off (0)
Quick set-up options	Parametrization via APP NFC for Android smartphones 

## Ordering codes

2000.42.100	DST400 - Range 0..1 Bar / Ceramic / Out 4..20 mA - 0..10 V
2000.43.104	DST400 - Range 0..10 Bar / Steel / Out 4..20 mA - 0..10 V
2000.43.107	DST400 - Range 0..40 Bar / Steel / Out 4..20 mA - 0..10 V
2000.43.108	DST400 - Range 0..100 Bar / Steel / Out 4..20 mA - 0..10 V
2000.43.111	DST400 - Range 0..400 Bar / Steel / Out 4..20 mA - 0..10 V