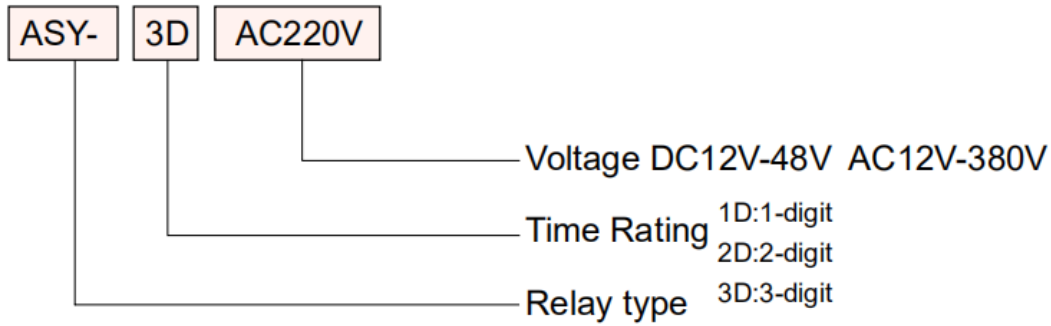


ASY Time Relay



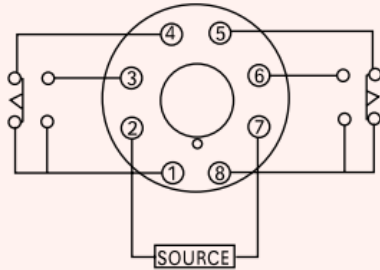
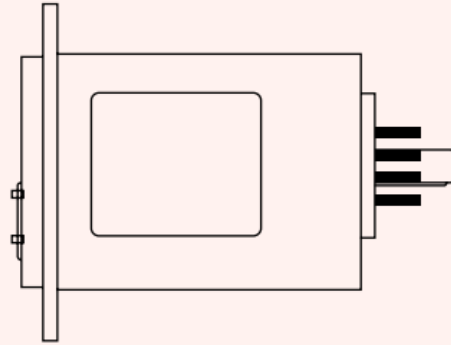
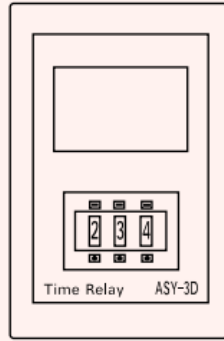
Specification

Voltage	DC12V-48V AC12V-380V50HZ
Power expend	DC1.0W AC1.0VA
Control output	5A220VAC
Insulation Resistance	DC500V 100MΩ
Dielectric Strength	BCC1500VAC BOC1000VAC
Operating Temperature	-10°C~50°C
Humidity	35%~85%
Life	Mech:10 ⁷ Elec:10 ³
Weight	≈ 150g

Time range

ASY-1D	9S/9M/9H
ASY-2D	9.9S/9.9M/9.9H,99S/99M/99H
ASY-3D	99.9S/99.9M/99.9H,999S/999M/999H

Dimension.Bottom View



ASY

