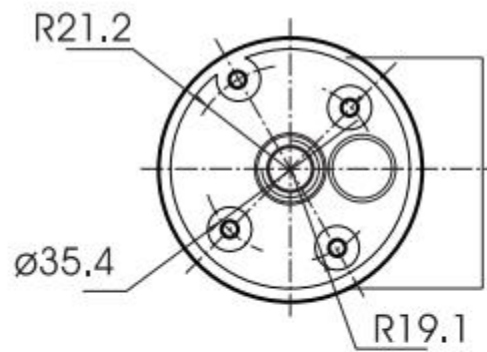
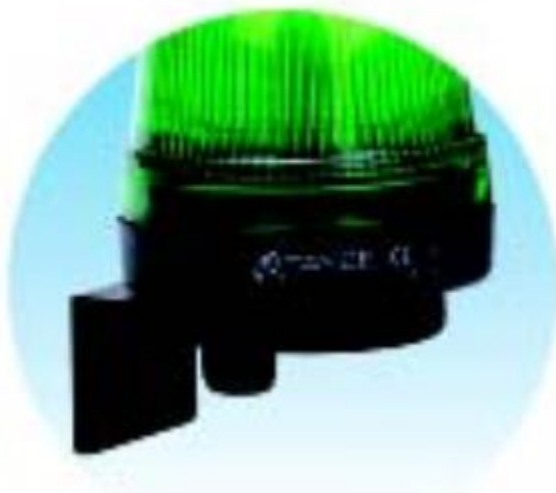
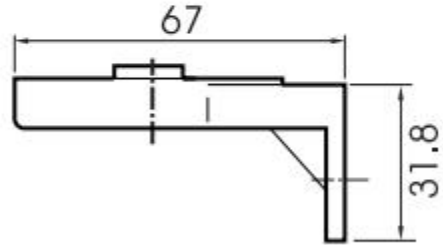


To Sidemount Base (out-line) C-6



→ Sidemount base
C-6