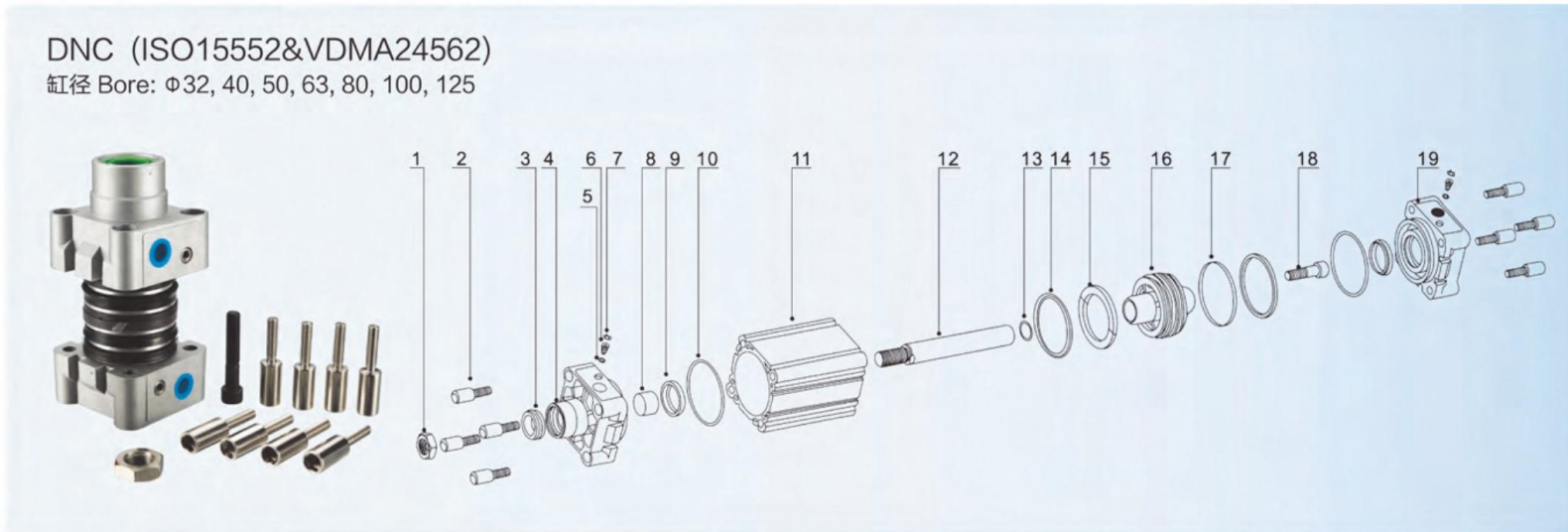


气缸套件, 气缸管及活塞杆

Assembly kits, tube and piston rod for cylinder

DNC (ISO15552&VDMA24562)

缸径 Bore: $\Phi 32, 40, 50, 63, 80, 100, 125$



序号 NO.	名称 Designation	材质 Material	序号 NO.	名称 Designation	材质 Material
1	螺母 Nut	碳钢 Carbon Steel	11	缸筒(不带) Barrel(Without)	硬铝阳极氧化 Hard anodized aluminum
2	端盖固定螺母 Profile Bolt	碳钢 Carbon Steel	12	活塞杆(不带) Piston Rod(Without)	S45C 硬铬碳钢 Hard chrome carbon steel
3	前盖防尘圈 Front Cover Seal	PUR	13	活塞杆O型圈 Rod O-ring	NBR
4	前盖 Front Cover	铝合金 Aluminum Alloy	14	活塞密封圈 Piston Seal	NBR
5	O型圈 O-ring	NBR	15	磁铁(可选) Magnet (Optional)	RbFeb
6	调节螺丝 Adjustable Screw		16	活塞 Piston	铝合金 Aluminum Alloy
7	滑动块 Block Slip		17	耐磨环 Wear Ring	PA66
8	含油轴承 Self Lubricating bearing	PTFE+Brass	18	内六角螺栓 Hex Socket Screw	碳钢 Carbon Steel
9	缓冲密封圈 Cushion Seal	NBR	19	后盖 Back Over	铝合金 Aluminum Alloy
10	管壁O型圈 Cover O-ring	NBR			