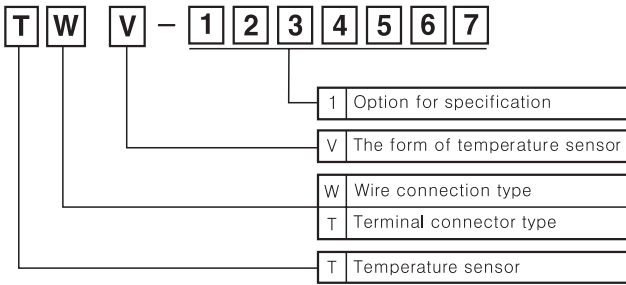
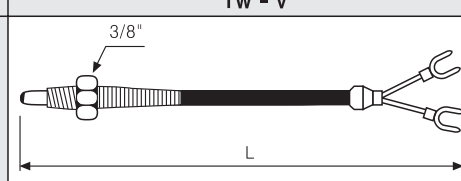


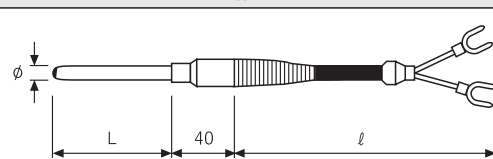
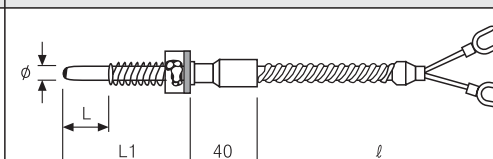
THERMOCOUPLES & RTD

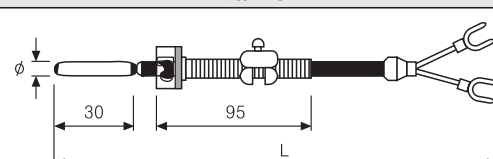
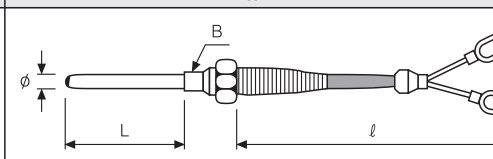
Ordering information

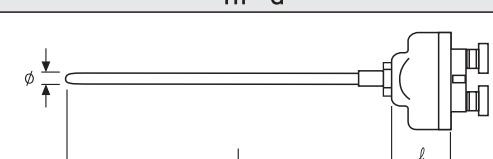
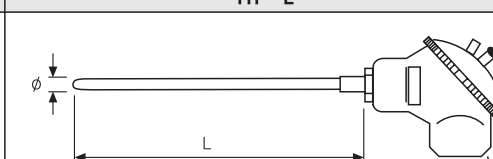


Specifications

Model	TW - V
Appearance & dimension	
1 Thermocouple	CA, IC, CC, CRC, PT100Ω
2 Inner compensating wire diameter(ϕ)	0.3 or 0.65mm/min
3 Sensing head length(L)	Standard:1.5m, Option:?
4 Screw spec.	Standard:3/8", Option:?

Model	TW - R	TW - E
Appearance & dimensions		
1 Thermocouple	CA, IC, CC, CRC, PT100Ω	CA, IC, CC, CRC, Pt100Ω
2 Inner compensating wire diameter(ϕ)	0.3 or 0.65mm/min	0.3 or 0.65mm/min
3 Compensating wire length(L)	Standard : 300mm, Option : ?	Standard : 50mm, Option : ?
4 Head length(L1)	—————	Standard : 150mm, Option : ?
5 Sensing head diameter(ϕ)	Standard : 4.8 ϕ , Option : ?	Standard : 4.8 ϕ , Option : ?
6 Compensating wire length(l)	Standard : 1.5m, Option : ?	Standard : 1.5m, Option : ?

Model	TW - S	TW - N
Appearance & dimensions		
1 Thermocouple	CA, IC, CC, CRC, PT100Ω	CA, IC, CC, CRC, PT100Ω
2 Inner compensating wire diameter(ϕ)	0.3 or 0.65mm/min	0.3 or 0.65mm/min
3 Sensing head length(L)	Standard : 30mm, Option : ?	Standard : 30mm, Option : ?
4 Sensing head diameter(ϕ)	Standard : 4.8 ϕ , Option : ?	Standard : 4.8 ϕ , Option : ?
5 Compensating wire length(l)	—————	Standard : 1.5mm, Option : ?
6 Screw spec.(B)	—————	Standard : 1./8", Option : ?

Model	TH - G	TH - L
Appearance & dimensions		
1 Thermocouple	CA, IC, CC, CRC, PT100Ω	CA, IC, CC, CRC, PT100Ω
2 Inner compensating wire diameter(ϕ)	0.3 or 0.65mm/min	0.3 or 0.65mm/min
3 Sensing head length(L)	Standard : 30mm, Option : ?	Standard : 300mm, Option : ?
4 Sensing head diameter(ϕ)	Standard : 6.4 ϕ , Option : ?	Standard : 6.4 ϕ , Option : ?

Selection Guide

THERMOCOUPLES & RTD

Specifications

Model	TH - M	TH - F
Appearances & dimensions		
1 Thermocouple	CA, IC, CC, CRC, R, S, PT100Ω	CA, IC, CC, CRC, R, S, PT100Ω
2 Inner compensating wire diameter(φ)	0.3 or 0.65mm/min	0.3 or 0.65mm/min
3 Sensing head length(l)	Standard : 300mm, Option : ?	Standard : 300mm, Option : ?
4 Sensing head diameter(φ)	Standard : 8φ, Option : ?	Standard : 22φ, Option : ?
5 Total head length(L)	Standard : 400mm, Option : ?	Standard : 380mm, Option : ?
6 Screw spec. (B)	Standard : 1/8", Option : ?	—
7 Flange(F)	—	Standard:10K20A, Option:?

Thermocouple connector

Model	DY - 1000 -1	DY - 1000 -2	DY - 2000 -1	DY - 2000 -2
Appearances				
Thermocouple	CA, IC, CC, CRC		CA, IC, CC, CRC	
Dimensions				

Thermocouple connector cable

Model	DY - 2100
Appearances	
Thermocouple	CA, IC, CC, CRC
Dimensions	