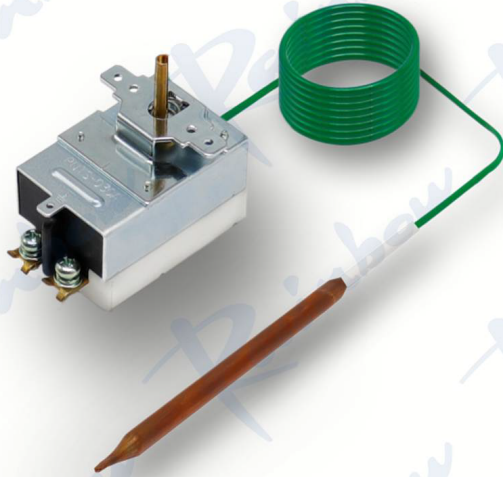


# Adjustable Thermostat RNTS-Series

Rainbow

Ver 1.0



## Key Features

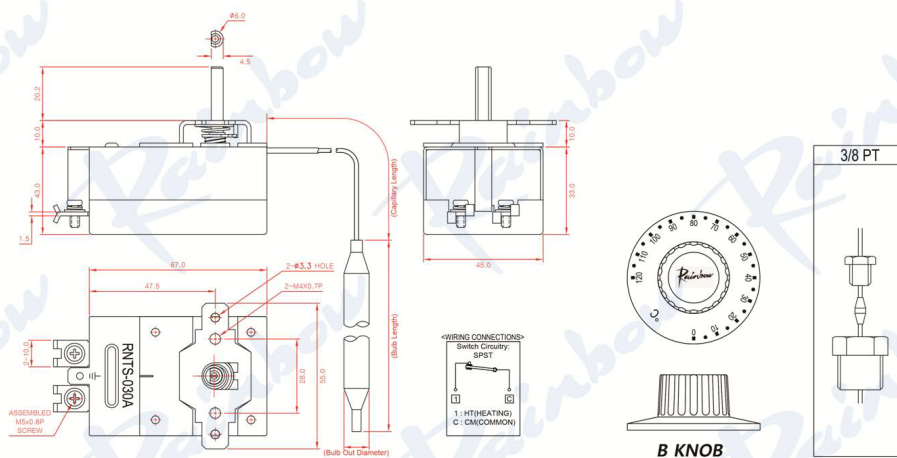
- ⊙ An adjustable thermostat that controls the temperature of the installed device.
- ⊙ Designed for High Amperage applications (30/250VAC).
- ⊙ Direct connection capability.
- ⊙ KC, RoHS Certification / Compliance with REACH
- ⊙ Used in various applications
  - Commercial Cooking Equipments
  - Industrial & Laboratory Facilities
  - Boilers, Water Heaters

## Specification



Model	Temp Range	Ratings	Bulb Dimension	Switch Action	Accuracy	DIFF.	Specification
RNTS-090C	0°C~90°C	30A/250V	Ø9.52 X 159mm	SPST	±3°C	4±2°C	Temp Range : 0°C to 320°C (-22°F to 608°F) Bulb Materials : Stainless Steel or Copper Capillary Tube : 1,000mm (250 to 2,000mm) Assembly Distance : 28mm Dial (Knob) : B KNOB Plug : PT3/8"
RNTS-120S	0°C~120°C	30A/250V	Ø8.0 X 166mm	SPST	±4°C	4±2°C	
RNTS-320S	50°C~320°C	30A/250V	Ø5.8 X 145mm	SPST	±10°C	10±5°C	

## Drawing



Rainbow

HEAD OFFICE & FACTORY  
 (주)레인보 / RAINBOW ELECTRONICS CO.,LTD.  
 303-204, 397, Seokcheon-ro, Bucheon-si, KOREA  
 TEL : 82-32-624-2288 / FAX : 82-32-624-2299

CHINA OFFICE & FACTORY  
 青岛来仁宝电子有限公司 / QINGDAO RAINBOW  
 18, Huanghe Road, Laixi, Qingdao, CHINA  
 TEL : 86-0532-8849-3930 / FAX : 86-0532-8849-3932