



Size: 110mmx110mmx25mm

**Airflow: 70~100m³/hr
41~59CFM**

Weight: 304g

Noise: 30~41dBA

Impeller: PBT Thermoplastic Black, UL94-VO

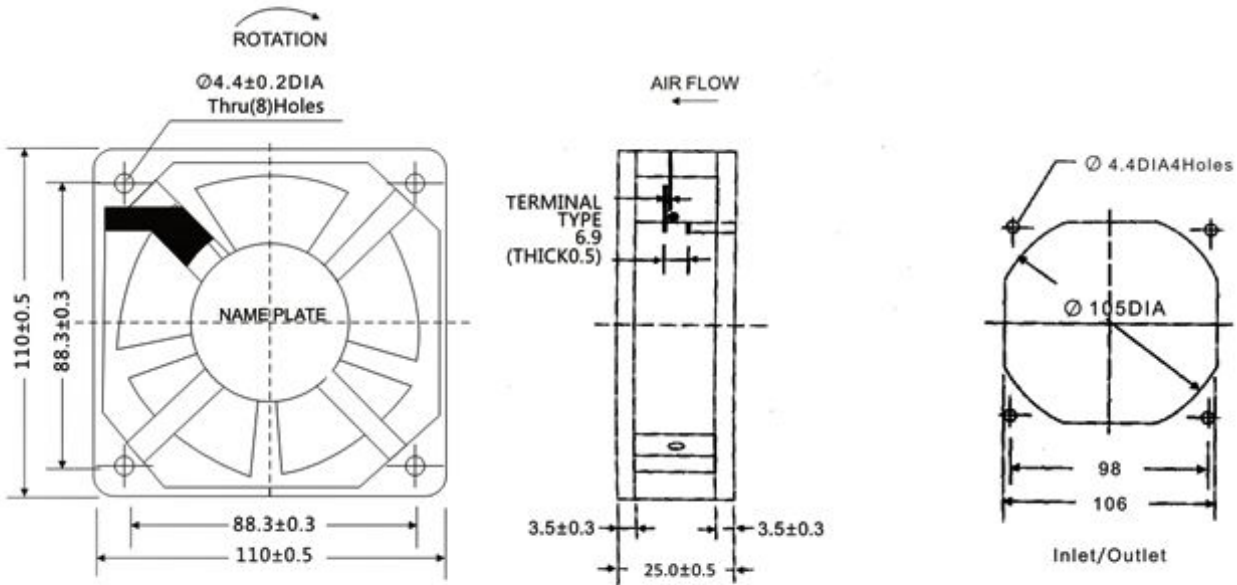
Frame: Aluminum Alloy

Terminals: 0.5mm

Lead Wire: AWG#22 UL 1007(Optional)

Motor: Shaded Pole Induction Motor

Operation Temperature: -10°C~+65°C



Model	Voltage VAC	Freq. Hz	Current: A	Power W	Speed RPM	Noise dBA	Air Flow		Phase	Capacitor
							M3/hr	CFM		
HB11025HA ₁ S(B)	100~125	50/60	0.2	18	2200/2500	34/40	84/100	49/59	1	/
HB11025HA ₂ S(B)	200~240	50/60	0.1	18	2200/2500	35/41	84/100	49/59	1	/
HB11025MA ₁ S(B)	100~125	50/60	0.16	16	1800/2300	30/35	70/84	41/49	1	/
HB11025MA ₂ S(B)	200~240	50/60	0.8	16	1800/2300	30/35	70/84	41/49	1	/

