

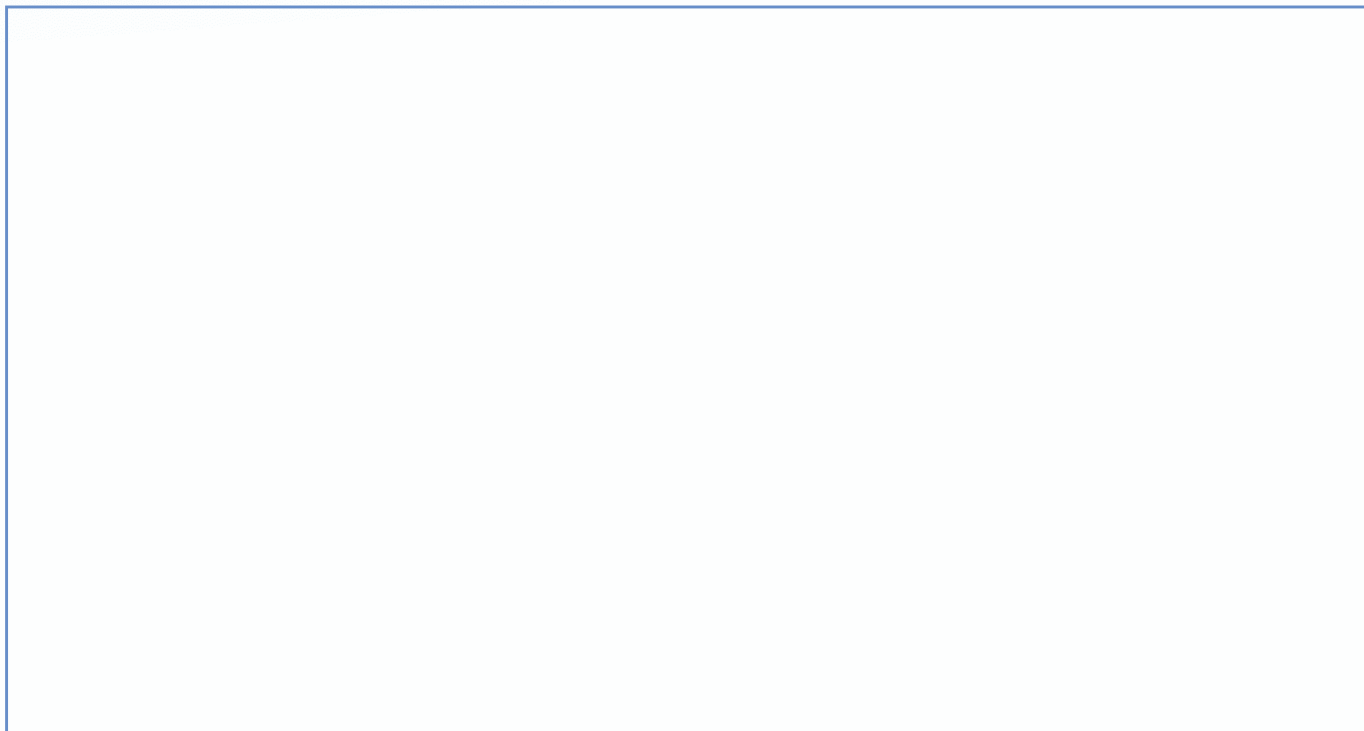
**PRODUCT DESCRIPTION:**

**SPH1\_COMP2**

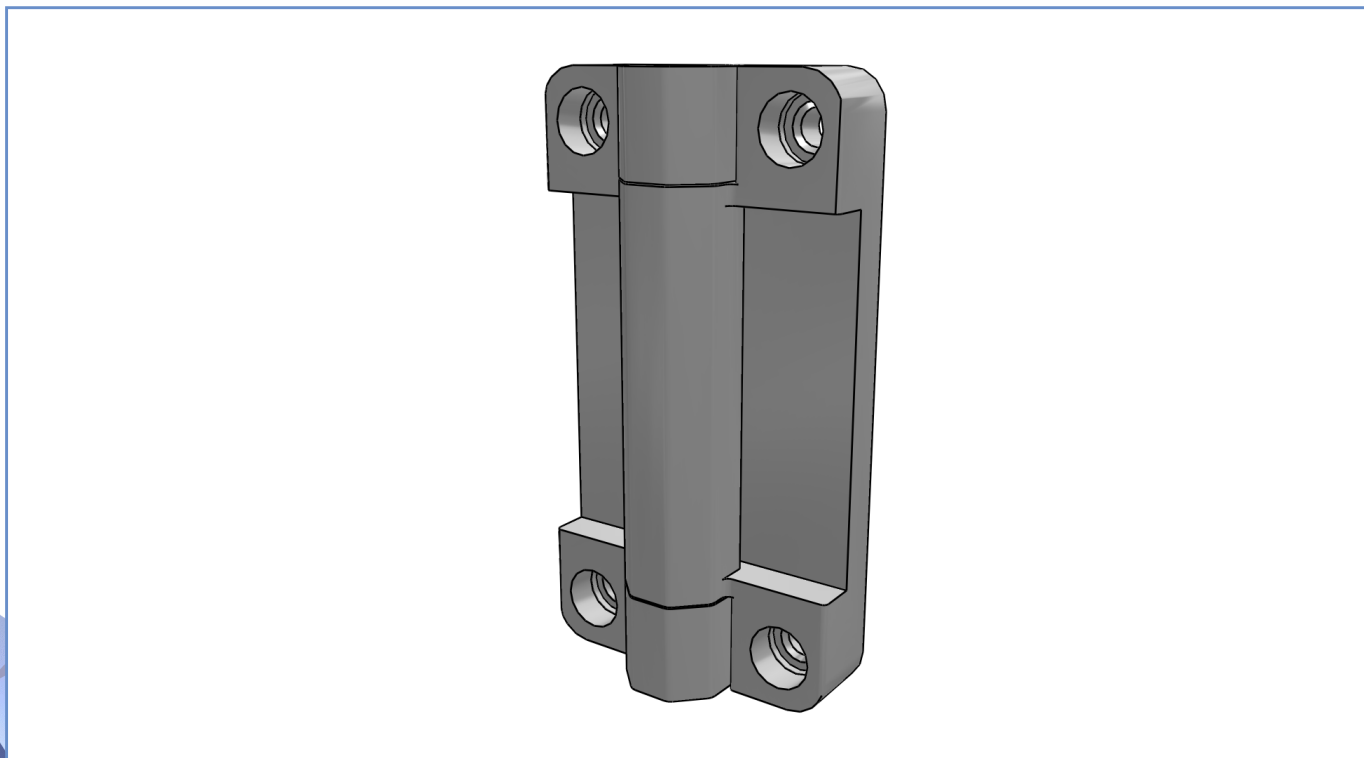
**PRODUCT CODE:**

**SPH1-COMP2**

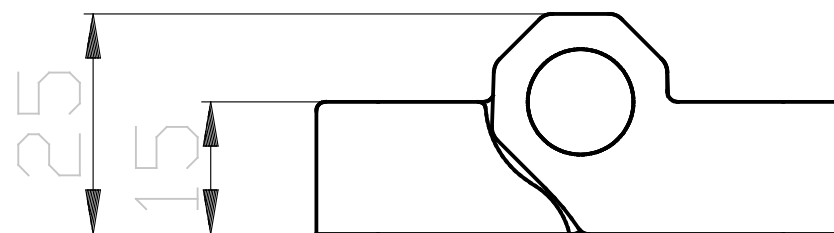
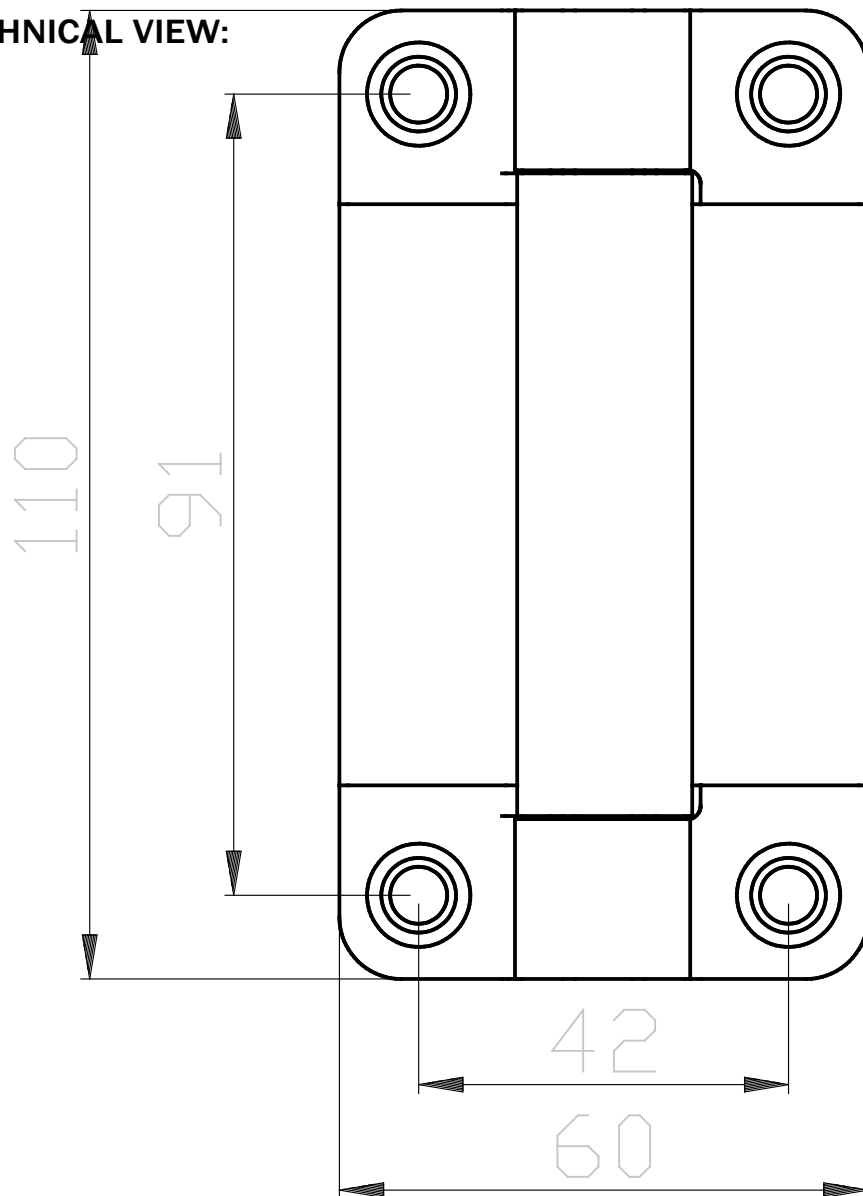
**DYNAMIC 3D VIEW:**



**STATIC 3D VIEW:**



TECHNICAL VIEW:



## DETAILS:

Part Number	SPH1-COMP2
Casing Material	Reinforced thermoplastic
Width [mm]	110
Electrical connections	/
IP Degree of Protection	/
Actuating Head	/
Head Material	/
Microswitch	/
Approvals	/
Reference Directives	/
Reference Standards	/
Interlock type according to EN ISO 14119	/
Operating Temperatures [°C]	-20°C ... +80°C
Stock Temperatures [°C]	-20°C ... +80°C
Protection against electric shocks (according to IEC 60536) [Class]	/
Rated Insulating Voltage Ui [V]	/
Pollution Degree	/
Contact rating secondo UL50	/
Rated Impulsive Voltage Uimp [kV]	/
Conventional thermal current in air free Ith (θ)	/
Short circuit protection (EU)	/
Operating currents Ie - AC-15 (50-60 Hz) according to IEC 60947-5-1	/
DC-13 operating currents according to IEC 60947-5-1	/
Switching Frequency [cycles/hour]	/
Resistance Between Contacts [mΩ]	/
Connecting Terminals	/
Connecting Cables Dimensions [mm <sup>2</sup> ]	/
Marking Terminals	/
Connection scheme	/
Mechanical Durability [Millions of Operations]	1
B10d [Millions of Operations]	/
Related Products	M OSSD, MS1, ECS

### PRODUCT DRAWING RELEASE:

Datasheet creation date: 24/09/2020 16:43

Last Modification (geometry): 13/08/2020 09:24

