



ADJUSTABLE THERMOSTATS



/PTS 050C

71092 / PTS 090C

Features

This product can prevent overheating and overcooling at the same time as a device that is designed to adjust the temperature inside all sorts of the control boxes

appliance

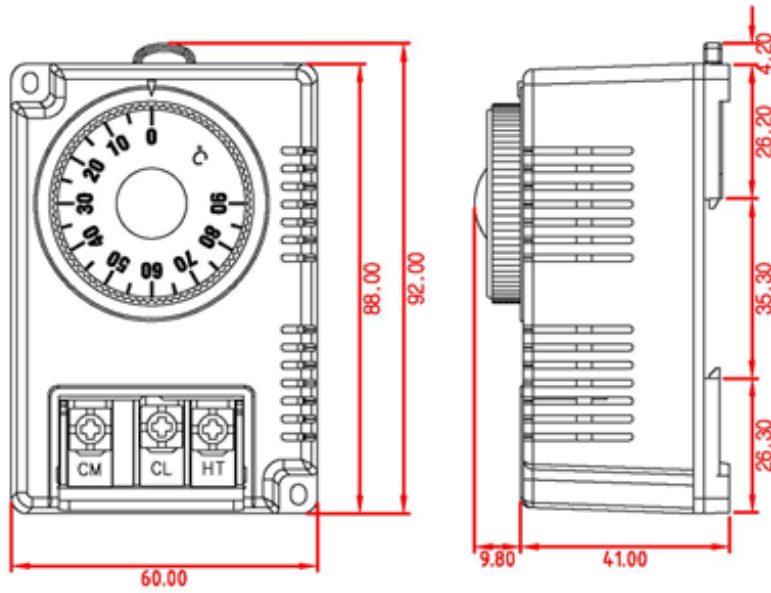
- cubicle
- telecommunication control panel

> details

temperature range	0°C~50°C / 0°C~90°C
electric rating	20A/250VAC, 10A/380VAC
switch circuit	Single Pole Double Throw (SPDT) ,Single Pole Single Throw (SPST)
Capillary/Length	145g

> major model

model	temperature range	The length of sensor	Sensor quality of material
PTSC-050C	0°C~50°C	Ø9 * 45mm	Copper
PTSC-090C	0°C~90°C	Ø9 * 45mm	Copper



DRAWING NO.:	UNIT:mm
MODEL:PTSC-XXXX	SCALE: 1:1
	DATE: 2010.08.26
RAINBOW ELECTRONICS CO.,LTD	

PTSC-XXXX