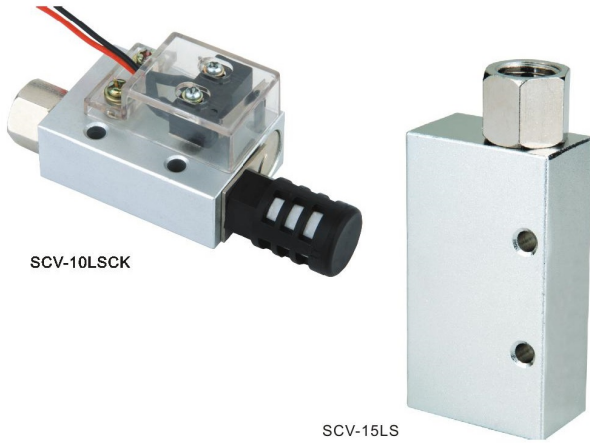
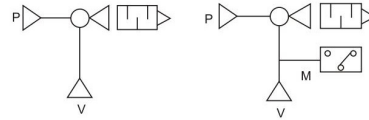


Vacuum generator SCV series



Symbol:



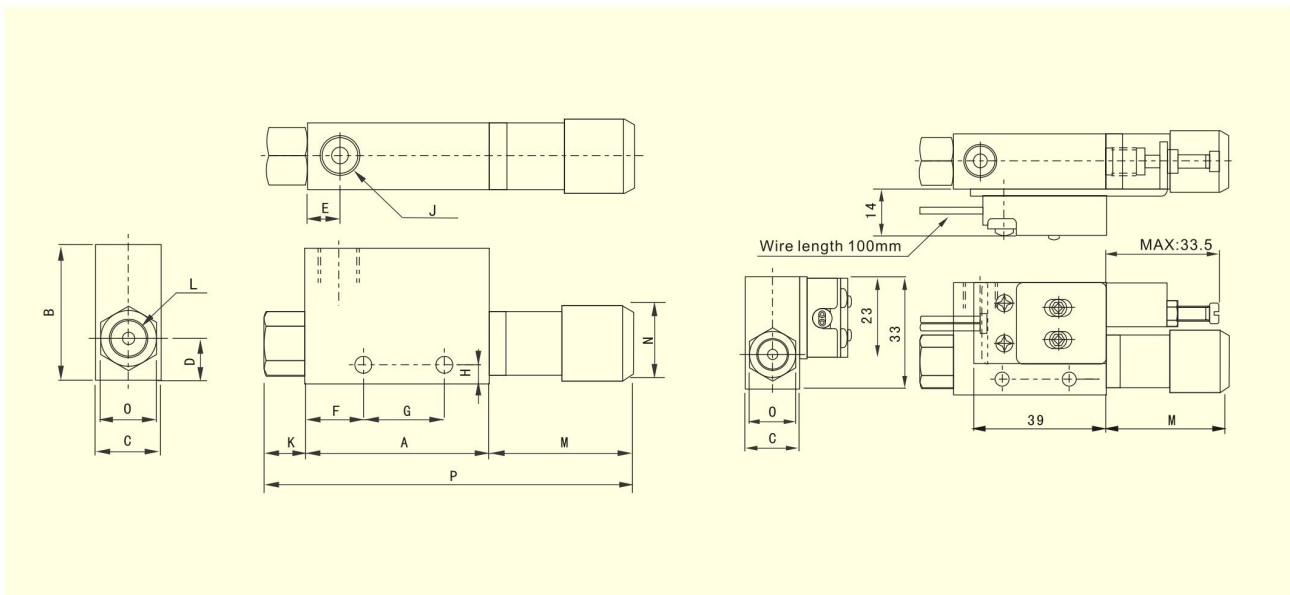
How to order

SCV	10	L	S	CK
Series code	Port size	Vacuum degree	Supplied air pressure	Vacuum set CK:set value can be adjustable Nil:non set value can be adjustable
	05: ϕ 0.5	H:Up-86.6	S:0.5 Mpa	
	10: ϕ 1.0	L:Up-53.3	R:0.35 Mpa	
	15: ϕ 1.5			
	20: ϕ 2.0			
	25: ϕ 2.5			
	30A: ϕ 3.0			

Specification

Model	SCV-05	SCV-10	SCV-15	SCV-20	SCV-25	SCV-30A
Port size	1/8 "	1/4 "	3/8 "	1/2 "	3/4 "	1 "
Fluid	Air(filtered through 40 μ filter element)					
Ambient & fluid temperature	-5~60°C					
Pressure range	0.1~0.6Mpa					
Lubrication	Not required					
Ajnstable pressure range	-20~-53.2Kpa					
Weight (kg)						
Main parts material	Aluminum alloy					

Dimension



Model	A	B	C	D	E	F	G	H	I	J	K	L	M	N	O	P	
SCV-05	45	33	16	10	8	14	20	4.5	2- ϕ 4.2	PR1/8	10	PR1/8	35	ϕ 18.5	14	90	PR1/8
SCV-10	45	33	16	10	8	14	20	4.5	2- ϕ 4.3	PR1/8	10	PR1/8	35	ϕ 18.5	14	90	PR1/8
SCV-15	63	35	20	11	10	20	25	5	2- ϕ 6	PR1/4	15	PR1/4	45.5	ϕ 20	17	123.5	PR1/4
SCV-20	85	40	30	15	13	28	32	7	2- ϕ 6	PR3/8	20	PR1/4	60.5	ϕ 30	24	165.5	PR1/2
SCV-25	100	60	40	20	16	20	50	5.5	2- ϕ 6	PR1/2	17	PR3/8	96	ϕ 40	28	213	PR3/4
SCV-30A	118	60	40	20	20	33	50	5.5	2- ϕ 6	PR3/4	20	PR1/2	96	ϕ 40	30	234	PR3/4