

EBCHQ

91095



- True RMS measurement
- Low / High set
- Operation hour recording
- Fault / Trip LED indication
- 3-tripping history
- Neutral current display
- THD-I display
- Last 30 min. ampere demand
- Maximum ampere demand
- 2 selectable characteristics (DTL/LTI)
- 7 selectable characteristics *
- 2 output relays
- Auto shorting of CTs (when unplugged)
- Programmable software lock
- Flush mount

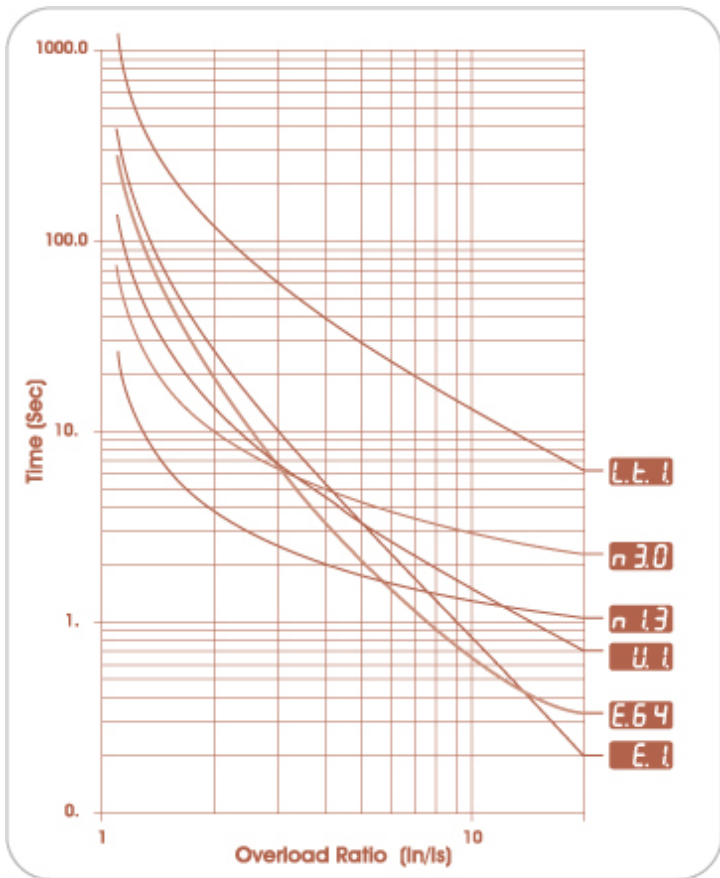
* Available for IDMT models only.

TECHNICAL DATA

Measurement	True RMS Ampere
Power supply	240 VAC
Rated current	../5A, ../1A upon request
Rated frequency	50 / 60 Hz (selectable)
Rated operation level	$\geq 1.10 \times$ (IDMT), $\geq 1.0 \times$ (DTL)
C.T. burden@5A	$< 0.5 \text{ VA}$
Tripping contact	SPDT 5A / 240 VAC
Weight	approx. 500g
Operating temp.	0° C ~ +55° C
Standard	IEC : 61000-4-2/4-4/4-5/255-5:1
SETTING RANGE	
Current Setting	20% ~ 200% (1% step)
High-set	20 ~ 2000% (10% step) or OFF
Time setting	0.05 ~ 1.00 (0.01 time multiplier step) 0.05 ~ 20.0 (0.1 sec step)
High-set time	0.03 ~ 20.0 (0.1 sec step)

IDMT GRAPH

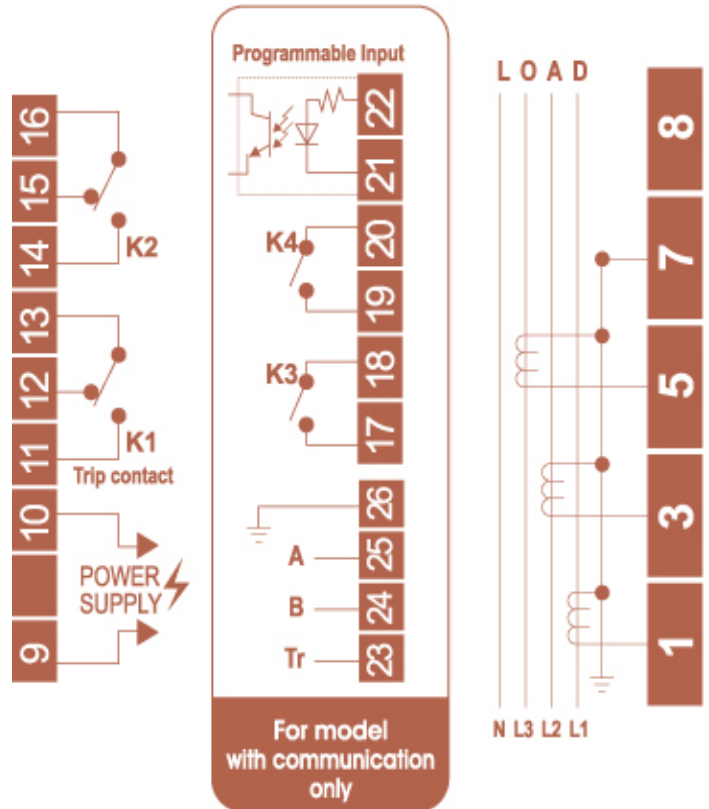
Time graph based on
Time Multiplier 1.0



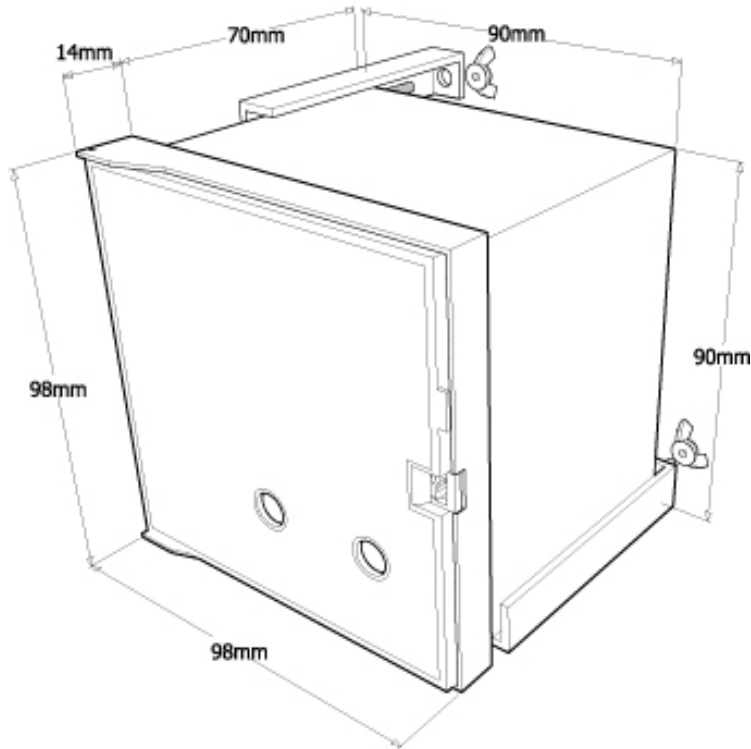
Characteristics (I_E)

- | | |
|-----------------------------------|--|
| n30 Normal Inverse 3.0 /10 | E.64 Extremely Inverse (0.64 sec) |
| n13 Normal Inverse 1.3 /10 | L.T.I Long Time Inverse |
| V.I Very Inverse | d.t.t. Definite Time |
| E.I Extremely Inverse | |

WIRING DIAGRAM



PANEL



Panel cut-out : 92 x 92 mm

