

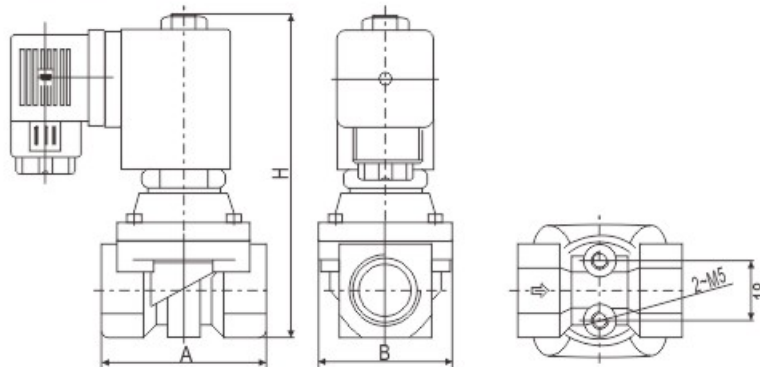
Sanlixin Solenoid Valve

ZS 2/2-way Direct Acting Solenoid Valve · Normally Closed

- 1: 2/2 way normally closed , closed when de-energized open , open when energized
- 2: Max pressure tolerance: 25 kgf/cm²
- 3: Working pressure : 0 ~20 kgf/cm²
- 4: Ambient temp : 0~65 °C
- 5: Flow as the arrow ,mounts in any position ; best position is solenoid vertical and upright direction
- 6: Only 1/4" 3/8" & 1/2" connection size ,orifice ϕ 10mm ϕ 13mm , can be widely used in the corresponding flow and pressure system , replace the same connection size but big orifice valve , can save a lot of cost
- 7: Voltage : AC220V/230V/240V/110V/24V 50/60HZ DC24V/12V
- 8: Seals : Can choose NBR、EPDM、VITON to fit the on/off control of different media;
- 9: Body: Brass
- 10: Coil can fix SM Coil. AC 220V/AC110V/AC24V/DC24V



External Dimensions:



Valve Selection List

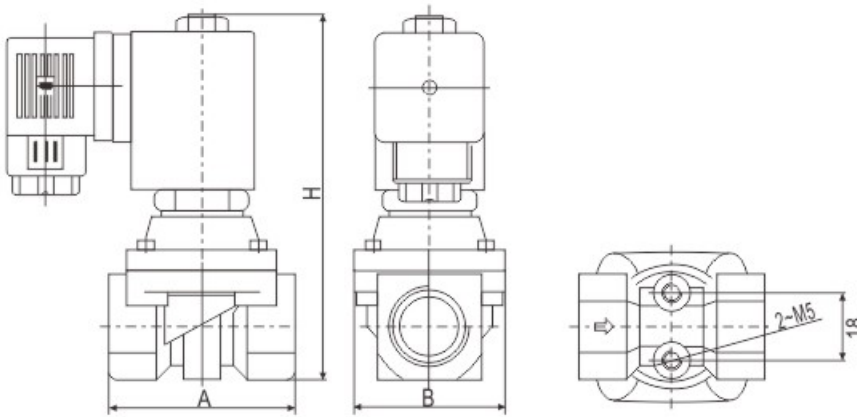
Pipe Connection	Orifice mm	CV Factor	Operating pressure differential (kgf/cm ²)						Max. Temp. °C	Coil Type	Power consumption		Coil Class	External Dimensions Length x Width x Height Lx B x H	Model Code Follows Voltage are 220VAC50/60HZ	Weight (KG)		
			Max.								AC DC	AC DC					220V 24V	
			Min.	Air Gas		Water Hotwater liquid.		Light oil										
				AC	DC	AC	DC	AC										DC
1/4"	10	1.9	0	20	16	20	16	20	16	80	D	22	13	F	50×40.5×98	ZS1DF02N9B10	0.55	
	10	1.9	0	20	16	20	16			120	D	22	13	F	50×40.5×98	ZS1DF02E9B10	0.55	
	10	1.9	0	20	16	20	16	20	16	120	D	22	13	F	50×40.5×98	ZS1DF02V9B10	0.55	
3/8"	10	2.4	0	20	16	20	16	20	16	80	D	22	13	F	50×40.5×98	ZS1DF02N9C10	0.54	
	10	2.4	0	20	16	20	16			120	D	22	13	F	50×40.5×98	ZS1DF02E9C10	0.54	
	10	2.4	0	20	16	20	16	20	16	120	D	22	13	F	50×40.5×98	ZS1DF02V9C10	0.54	
	13	3.1	0	16	12	16	12	16	12	80	D	22	13	F	55×43×98	ZS1DF02N9C13	0.56	
	13	3.1	0	16	12	16	12			120	D	22	13	F	55×43×98	ZS1DF02E9C13	0.56	
	13	3.1	0	16	12	16	12	16	12	120	D	22	13	F	55×43×98	ZS1DF02V9C13	0.56	
1/2"	10	2.4	0	20	16	20	16	20	16	80	D	22	13	F	50×40.5×98	ZS1DF02N9D10	0.53	
	10	2.4	0	20	16	20	16			120	D	22	13	F	50×40.5×98	ZS1DF02E9D10	0.53	
	10	2.4	0	20	16	20	16	20	16	120	D	22	13	F	50×40.5×98	ZS1DF02V9D10	0.53	
	13	3.1	0	16	12	16	12	16	12	80	D	22	13	F	55×43×98	ZS1DF02N9D13	0.55	
	13	3.1	0	16	12	16	12			120	D	22	13	F	55×43×98	ZS1DF02E9D13	0.55	
	13	3.1	0	16	12	16	12	16	12	120	D	22	13	F	55×43×98	ZS1DF02V9D13	0.55	

ZS 2/2-way Direct Acting Solenoid Valve · Normally Closed

- 2/2 way Normally Closed, closed when de-energized open, open when energized.
- Max Pressure Tolerance: 25kgf/cm²
- Working Pressure: 0~20kgf/cm²
- Ambient Temp.: 0~65 °C
- Flow as the arrow, mounts in any position; best position is solenoid vertical and upright direction.
- Only 1/4" & 3/8" & 1/2" connection size, orifice Φ 10mm Φ 13mm, can be widely used in the corresponding flow and pressure system, replace the same connection size but big orifice valve, can save a lot of cost.
- Voltage: AC220V/230V/240V/110V/24V 50/60HZ DC24V/12V
- Seals: can choose NBR, EPDM, VITON to fit the on/off control of different media.
- Body: SS304
- Coil can fix SM Coil. AC 220V/AC110V/AC24V/DC24V



External Dimensions:



Valve Selection List

Pipe Connection	Orifice mm	CV Factor	Operating pressure differential (kgf/cm ²)								Max. Temp. °C	Coil Type	Power consumption		Coil Class	External Dimensions Length x Width x Height Lx B x H	Model Code Follows Voltage are 220VAC50/60HZ	Weight (KG)
			Min.	Max.						AC 220V			DC 24V					
				Air Gas	Water Hotwater liquid.		Light oil											
					AC	DC	AC	DC	AC					DC				
1/4"	10	1.9	0	20	16	20	16	20	16	80	D	22	13	F	50×40.5×98	ZS1DF02N4B10	0.55	
	10	1.9	0	20	16	20	16			120	D	22	13	F	50×40.5×98	ZS1DF02E4B10	0.55	
	10	1.9	0	20	16	20	16	20	16	120	D	22	13	F	50×40.5×98	ZS1DF02V4B10	0.55	
3/8"	10	2.4	0	20	16	20	16	20	16	80	D	22	13	F	50×40.5×98	ZS1DF02N4C10	0.54	
	10	2.4	0	20	16	20	16			120	D	22	13	F	50×40.5×98	ZS1DF02E4C10	0.54	
	10	2.4	0	20	16	20	16	20	16	120	D	22	13	F	50×40.5×98	ZS1DF02V4C10	0.54	
	13	3.1	0	16	12	16	12	16	12	80	D	22	13	F	55×43×98	ZS1DF02N4C13	0.56	
	13	3.1	0	16	12	16	12			120	D	22	13	F	55×43×98	ZS1DF02E4C13	0.56	
	13	3.1	0	16	12	16	12	16	12	120	D	22	13	F	55×43×98	ZS1DF02V4C13	0.56	
1/2"	10	2.4	0	20	16	20	16	20	16	80	D	22	13	F	50×40.5×98	ZS1DF02N4D10	0.53	
	10	2.4	0	20	16	20	16			120	D	22	13	F	50×40.5×98	ZS1DF02E4D10	0.53	
	10	2.4	0	20	16	20	16	20	16	120	D	22	13	F	50×40.5×98	ZS1DF02V4D10	0.53	
	13	3.1	0	16	12	16	12	16	12	80	D	22	13	F	55×43×98	ZS1DF02N4D13	0.55	
	13	3.1	0	16	12	16	12			120	D	22	13	F	55×43×98	ZS1DF02E4D13	0.55	
	13	3.1	0	16	12	16	12	16	12	120	D	22	13	F	55×43×98	ZS1DF02V4D13	0.55	