

Earth Leakage Relay



- True RMS measurement
- Low set
- High set
- Operation hour recording
- Fault & Trip LED indication
- Trip value recording (3 memory)
- Auto Z.C.T. connection check (open/short)
- Total trip count information
- Self-reclosing / auto-reset*
- Programmable relay output
- Programmable software lock
- Din-rail or screw mount

* Self-reclosing or auto-reset model available upon request

TECHNICAL DATA

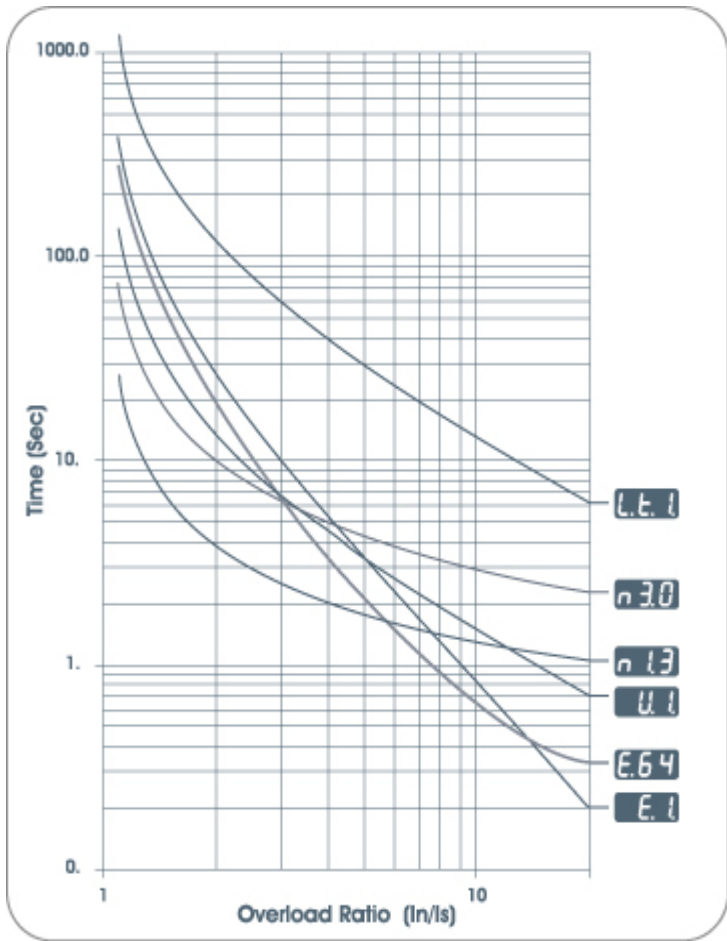
Measurement	True RMS Ampere
Power supply	240 VAC
Rated current	../5A
Rated frequency	50 / 60 Hz (selectable)
Rated operation level	$\geq 1.10 \times$ (IDMT), $\geq 1.0 \times$ (DTL)
C.T. burden@5A	$< 0.5 \text{ VA}$
Tripping contact	SPDT 5A / 240 VAC
Weight	approx. 450g
Operating temp.	0° C ~ +55° C
Standard	IEC : 61000-4-2/4-4/4-5/255-5:1

SETTING RANGE

Current Setting	2% ~ 50%
High-set	OFF or 20% ~ 990%
Time setting	0.05 ~ 10.0 (DTL model) 0.05 ~ 1.00 (time multiplier) IDMT model
High-set time	30 ms Fixed (DTL model) 0.03 ~ 10.0 (IDMT model)

IDMT GRAPH

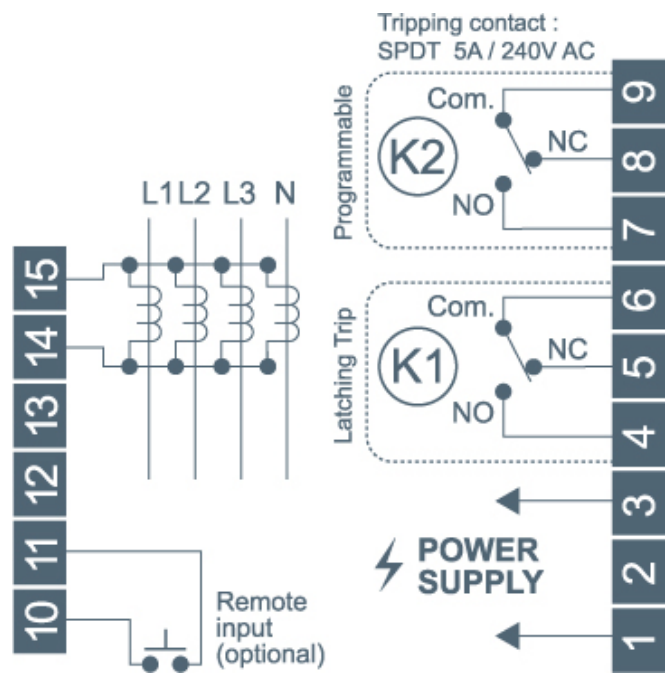
Time graph based on
Time Multiplier 1.0



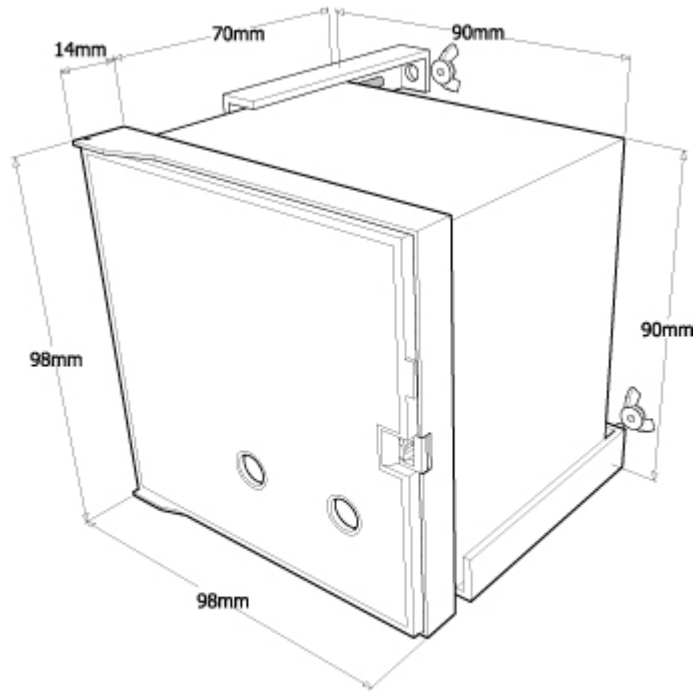
Characteristics (I_E)

- | | |
|-----------------------------------|--|
| n30 Normal Inverse 3.0 /10 | E.64 Extremely Inverse (0.64 sec) |
| n13 Normal Inverse 1.3 /10 | L.T.I Long Time Inverse |
| U.I Very Inverse | d.t.t Definite Time |
| E.I Extremely Inverse | |

WIRING DIAGRAM



PANEL



Panel cut-out : 92 x 92 mm

