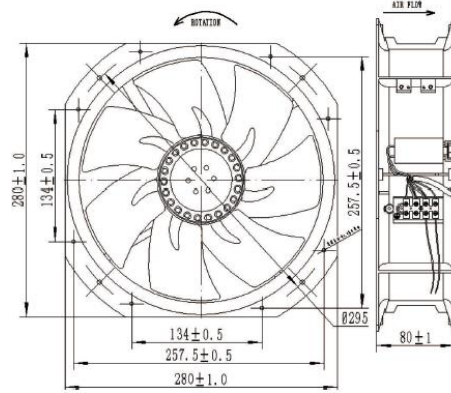


AC axial fan

交流轴流风机



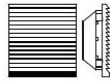
- ⊙ 尺寸 Size: 280mm × 280mm × 80mm
- ⊙ 风量 Airflow: 1865–1970m³/hr
1098–1160CFM
- ⊙ 重量 Weight: 2803g
- ⊙ 噪音 Noise: 69–70dBA
- ⊙ 风叶 Impeller Material: Metal
- ⊙ 外框 Frame: Aluminum Alloy
- ⊙ 端子 Terminals: 0.5mm
- ⊙ 引线 Lead Wire: Teflon 22#UL 1332(Optional)
- ⊙ 马达 Motor: Capacitor-Run And External Rotor Induction Motor
- ⊙ 温度范围 Operating Temperature: -10℃~+105℃

产品型号 Model	轴承型式 Bearing System	电压 Voltage VAC	频率 Freq. Hz	电流 Current A	功率 Power W	转速 Speed RPM	噪音 Noise dBA	风量 Air Flow		相数 Phase	电容 Capacitor
								M ³ /hr	CFM		
TG28080HAβ-C	Ball	100/125	50/60	1.2/1.3	126/148	2500/2700	69/70	1865/1970	1098/1160	1	2*8uf/250v
TG28080HAβ-C		200/240	50/60	0.58/0.63	126/148	2500/2700	69/70	1865/1970	1098/1160	1	4uf/630v
TG28080HAβ		380/420	50/60	0.32	120	2500/2700	69/70	1865/1970	1098/1160	3	—
TG28080HAβ-C		380/420	50/60	0.36	120	2500/2700	69/70	1865/1970	1098/1160	1	2.0uf/500v

Fan Accessories



JL280FOR



JL600.300
JL906.200
JL906.200EMC
JL600.300EMC

