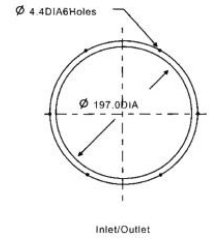
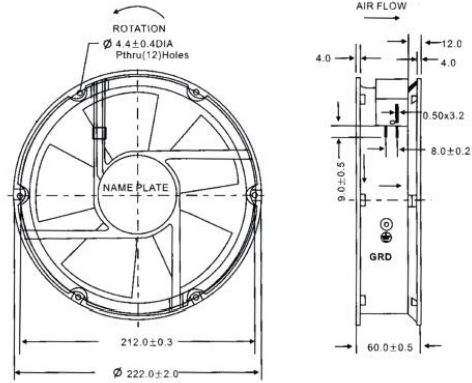


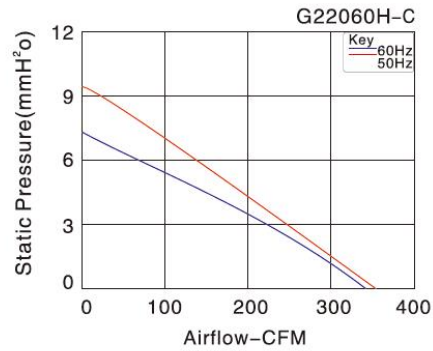
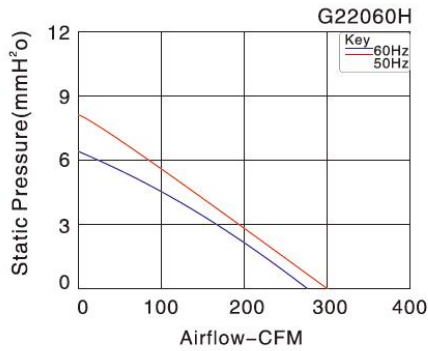


JULONG MOTOR  
AC/DC FANS COOLING FANS



尺寸 Size:  $\phi 220\text{mm} \times 60\text{mm}$   
 风量 Airflow: 509–640m<sup>3</sup>/hr  
 280–377CFM  
 重量 Weight: 1350g  
 噪音 Noise: 54–68dBA  
 风叶 Impeller Material: PBT Thermoplastic Black, UL94–VO  
 外框 Frame: Aluminum Alloy  
 端子 Terminals: 0.5mm  
 引线 Lead Wire: AWG#22 UL 1015(Optional)  
 马达 Motor: Shaded Pole Induction Motor /Capacitor–Run Induction Motor  
 温度范围 Operating Temperature: –10°C~+65°C

Model (型号)	Bearing System (轴承型式)	Voltage VAC (电压)	Freq. Hz (频率)	Current A (电流)	Power W (功率)	Speed RPM (转速)	Noise dBA (噪音)	Air Flow (风量)		Phase (相数)	Capacitor (电容)
								M3/hr	CFM		
G22060HA,B	Ball	100/125	50/60	0.6	47	2200/2300	54/60	509/475	300/280	1	/
G22060HA,B	Ball	200/240	50/60	0.32	42	2200/2300	54/60	509/475	300/280	1	/
G22060HA,B–C	Ball	100/125	50/60	0.4/0.42	50/60	2650/2600	56/68	640/623	377/367	1	/
G22060HA,B–C	Ball	200/240	50/60	0.22/0.26	50/60	2650/2600	56/68	640/623	377/367	1	/



### Fan Accessories

