

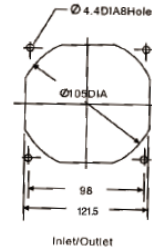
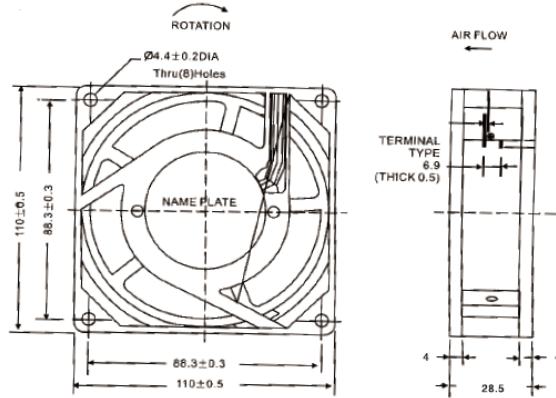


JIULONG MOTOR
AC/DC FANS COOLING FANS



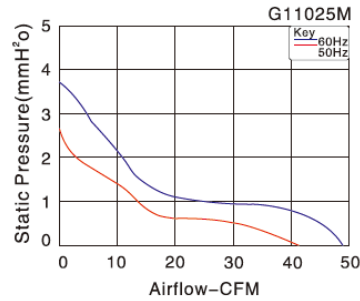
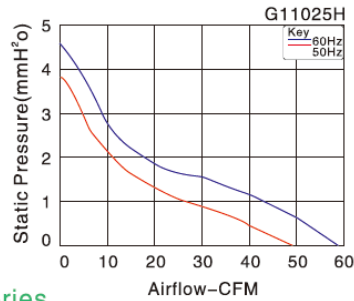
5

Http://www.xtgyqs.cn
如有任何疑问，请随时与我们联系。本公司提供技术支持和售后服务。
If you have any questions, please contact us at any time. We provide technical support and after-sales service.



尺寸 Size: 110mmx110mmx25mm
风量 Airflow: 76-120m³/hr
45-71CFM
重量 Weight: 310g
噪音 Noise: 30-41dBA
风叶 Impeller Material: PBT Thermoplastic Black,UL94-V0
外框 Frame: Aluminum Alloy
端子 Terminals: 0.5mm
引线 Lead Wire: AWG#22 UL 1569(Optional)
马达 Motor: Shaded Pole Induction Motor
温度范围 Operating Temperature: -10°C~+65°C

Model (型号)	Bearing System (轴承型式)	Voltage VAC (电压)	Freq. Hz (频率)	Current A (电流)	Power W (功率)	Speed RPM (转速)	Noise dBA (噪音)	Air Flow (风量)		Phase (相数)	Capacitor (电容)
								M3/hr	CFM		
G11025HA,S	Sleeve	100/125	50/60	0.25/0.23	23/19	2450/2900	36/38	102/120	60/71	1	/
G11025HA,S		200/240	50/60	0.09/0.08	16/13	2450/2900	36/38	102/120	60/71	1	/
G11025HA,B	Ball	100/125	50/60	0.25/0.23	23/19	2450/2900	36/38	102/120	60/71	1	/
G11025HA,B		200/240	50/60	0.09/0.08	16/13	2450/2900	36/38	102/120	60/71	1	/
G11025MA,S	Sleeve	100/125	50/60	0.16/0.15	16/15	2000/2000	33/33	88/88	52/52	1	/
G11025MA,S		200/240	50/60	0.07/0.07	16/15	2000/2000	33/33	88/88	52/52	1	/
G11025MA,B	Ball	100/125	50/60	0.16/0.15	16/15	2000/2000	33/33	88/88	52/52	1	/
G11025MA,B		200/240	50/60	0.08/0.08	19/18	2000/2000	33/33	88/88	60/71	1	/
G11025LA,S	Sleeve	100/125	50/60	0.13/0.11	14/13	1800/1700	28/27	78/76	46/45	1	/
G11025LA,S		200/240	50/60	0.05/0.05	14/13	1800/1700	28/27	78/76	46/45	1	/
G11025LA,B	Ball	100/125	50/60	0.13/0.11	14/13	1800/1700	28/27	78/76	46/45	1	/
G11025LA,B		200/240	50/60	0.05/0.05	14/13	1800/1700	28/27	78/76	46/45	1	/



Fan Accessories

