

ø50 SIGNAL TOWER

PERFORMANCE CHARACTERISTIC

OPTICAL SOURCE TYPE

LED

- 4 types of luminescence modes
- permanent
- blink
- rotating flash
- adjustable
- (between permanent and blink)



SUPERBRIGHT LED

- 4 types of luminescence modes
- permanent
- blink
- rotating flash
- adjustable
- (between permanent and blink)



FILAMENT LAMP

- 2 types of luminescence modes
- permanent
- blink



XENON LAMP

- only 1 mode
- blink (flash)
- flash frequency
- 0.5Hz-2Hz



AUDIBLE SOURCE TYPE

SINGING

- 2 sounding modes
- continuous
- intermittent



TECHNICAL PARAMETER

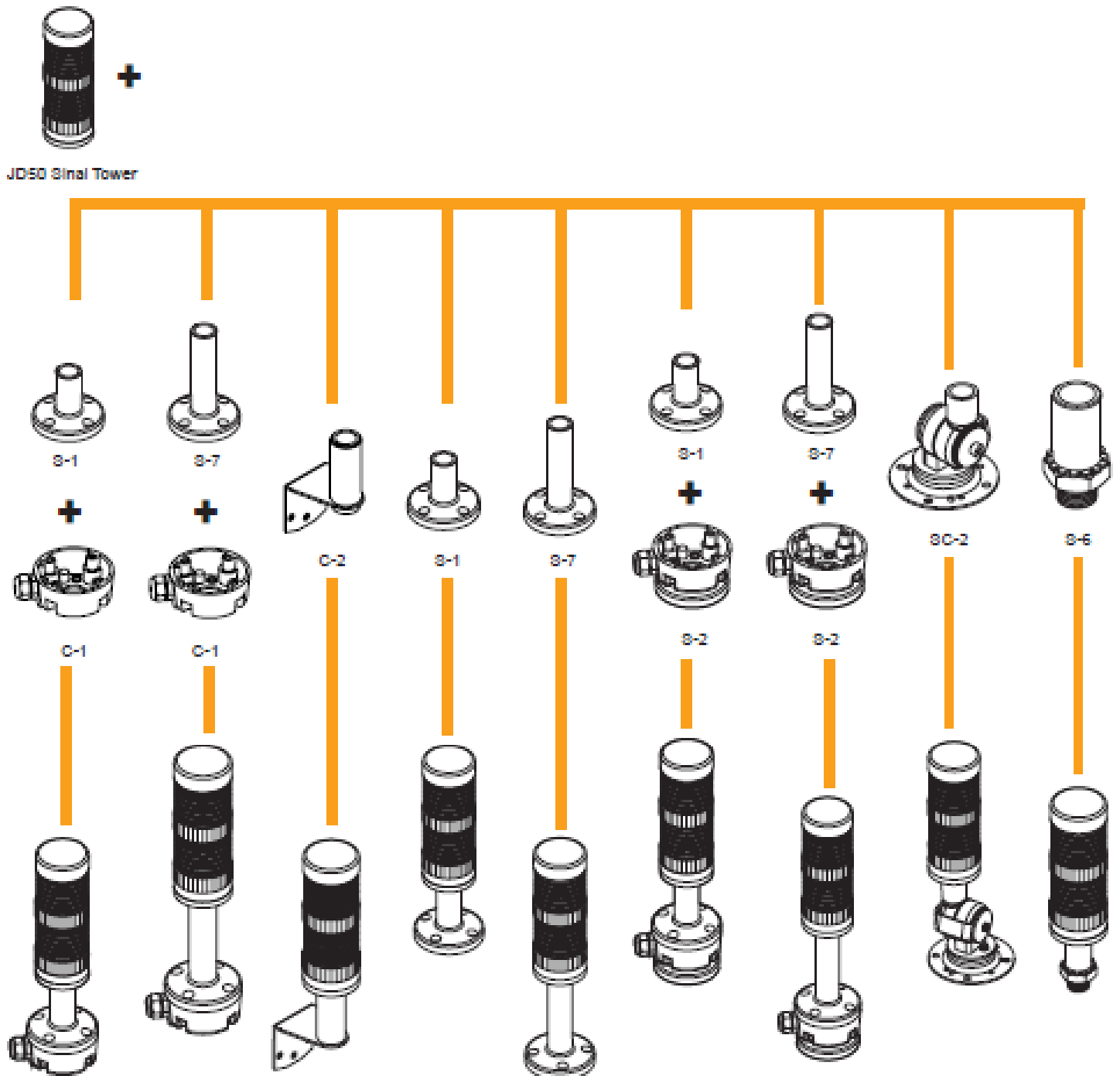
Performance summerization: Degree of protection - IP 65; Diameter - 50mm

Appearance Size	50mm
Outer Cover Material	PC
Degree of Protection	IP65
Pitch NO.	5
Color	Red(R),Green(G),Yellow(Y),White(W),Blue(S),Black(B:only for audible element)
Voltage Gradation	DC24 AC220
Environmental Temperature	-25°C+55°C
Antivibration	10-2000Hz, 1mm, 15g
Life Duration of LED	100,000hours
Life Duration of Filament Lamp	Continuous 1500 hours
Life Duration of Xenon Lamp	3,000,000 times
Relative Moisture of Air	≤ 98%
Certification	3C

Guideline of Current

	24V	110V	220V
LED	20-40mA	7-15mA	7-15mA
Filament Lamp	70-90mA	30-60mA	30-60mA
Superbright LED	30-60mA	10-20mA	10-20mA
Xenon Lamp	70-200mA	10-50mA	10-50mA
Horn	70-200mA	70-200mA	70-200mA
Singing	10-30mA	10-30mA	10-30mA
Music	70-200mA	70-200mA	70-200mA

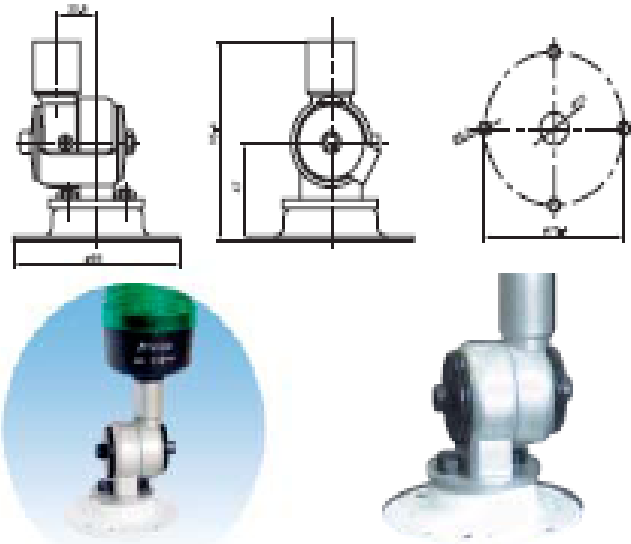
SKETCH MAP FOR MAKING UP PRODUCT AND ITS ACCESSORIES



SKETCH MAP FOR MAKEING UP PRODUCT AND ITS ACCESSORIES

FULL INSTRUCTIONS FOR INSTALLATION

To Install Base Collapsibly (in-line) SC-2



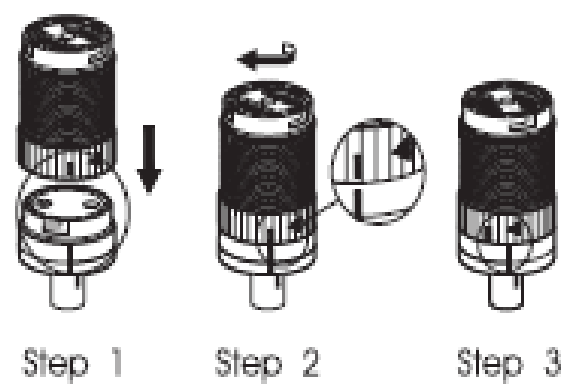
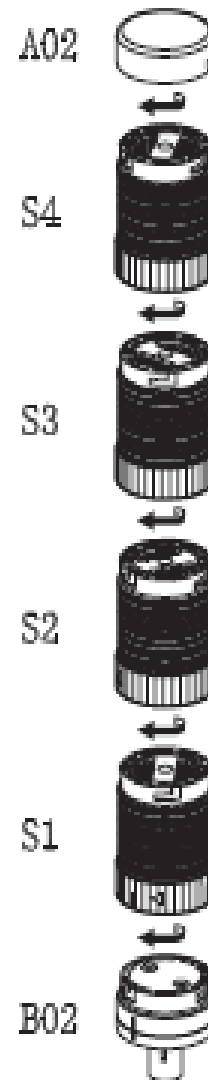
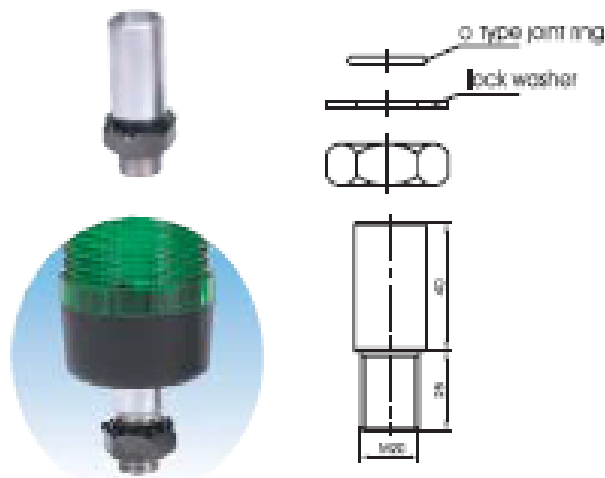
Connecting Tube

★ It should be used with S-1 or S-7

- 100mm G1
- 250mm G2
- 400mm G4
- 800mm G8

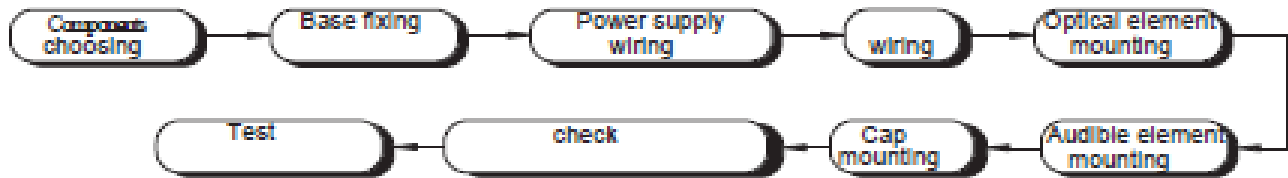


To Install Joint (in-line) S-6

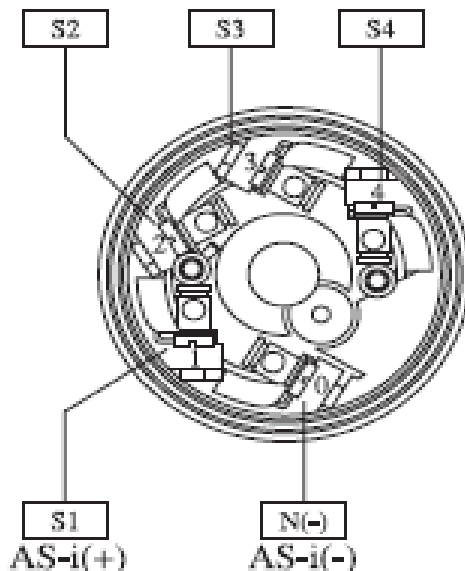
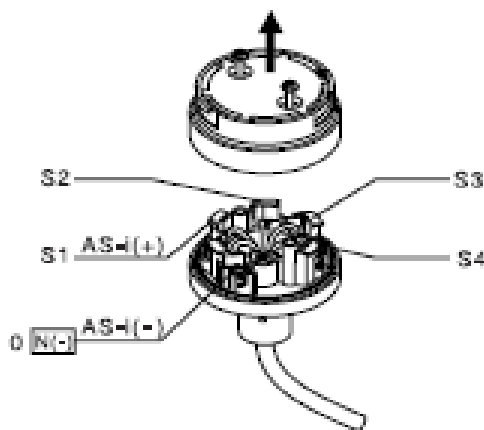


ATTN: Accessories should be ordered separately

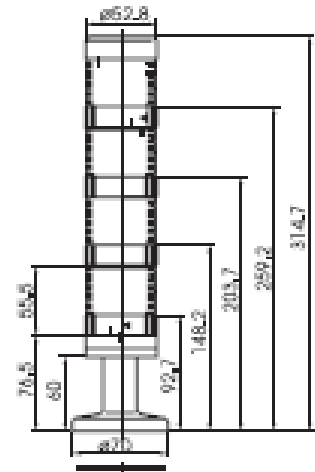
FULL INSTRUCTION OF INSTALLATION



Demonstration for
Conductivity Base Connection



DIMENSIONAL DRAWING



Matters need attention

Power must be cut off before installation, construction and inspection.

Naked light must not exit in the allocated range of this product. Working environmental temperature must be lower than 55°C

The cable must reach the safety-using standard.

Installation foundation and installation line must be firm and steady.

The installing, maintaining of this product must be operated by professional personnel.

The product can be installed with different parts by users of their own, but each part must be in the same voltage gradation.

Voltage of the power must accord with the stipulated voltage of the products.

Please wire according to the regulation of the manual when constructing and inspecting.