

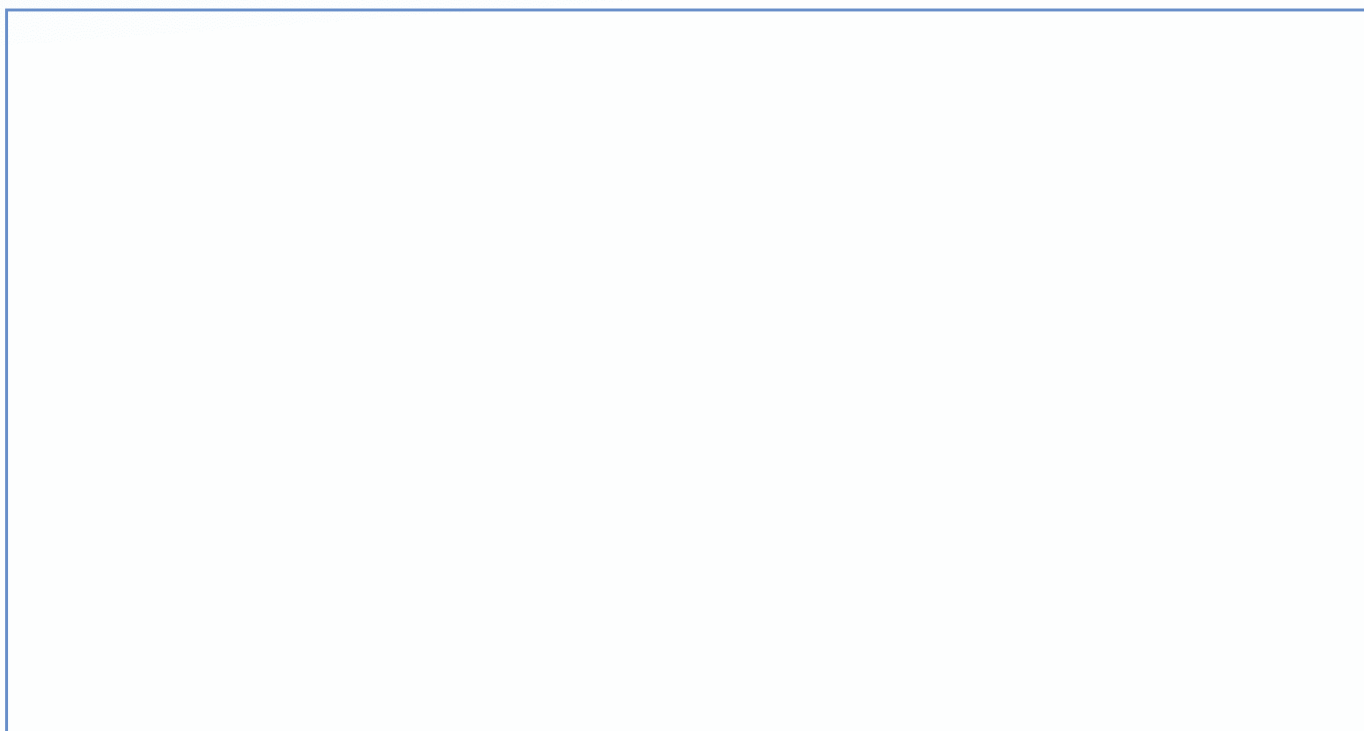
PRODUCT DESCRIPTION:

SM_K9000

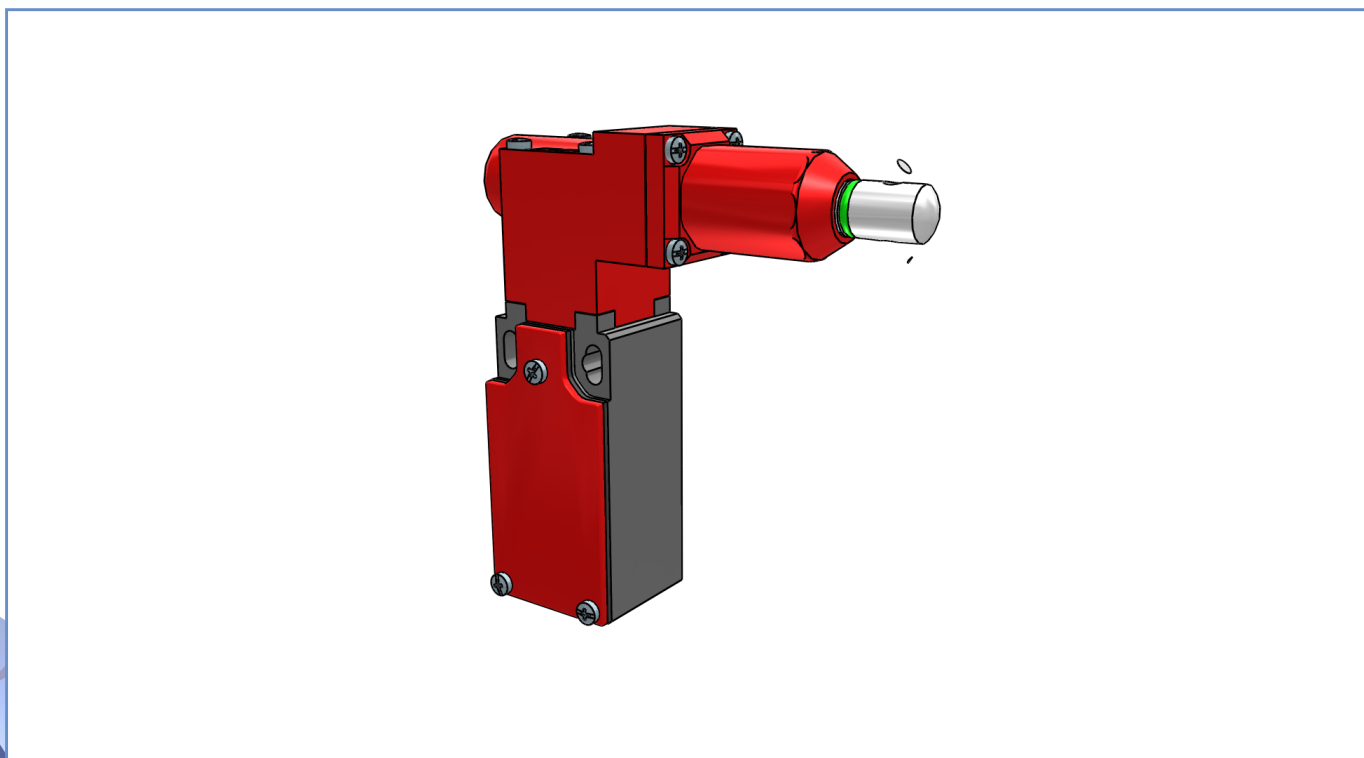
PRODUCT CODE:

SM3K9000X11

DYNAMIC 3D VIEW:



STATIC 3D VIEW:



DETAILS:

Part Number	SM3K9000X11
Casing Material	Painted zamak
Width [mm]	30
Electrical connections	One cable inlet for PG11 cable gland
IP Degree of Protection	IP66
Actuating Head	Transversal with rope for simple stop (without manual reset)
Head Material	Thermoplastic head
Microswitch	Non-overlapping slow action contacts (1NO + 1NC)
Approvals	IMQ - cULus - CCC - EAC
Reference Directives	LVD - 2014/35/EU
Reference Standards	IEC 60947-5-1 / EN 60947-5-1
Interlock type according to EN ISO 14119	/
Encoding level according to EN ISO 14119	/
Operating Temperatures [°C]	-25°C ... +70°C
Stock Temperatures [°C]	-30°C ... +80°C
Protection against electric shocks (according to IEC 60536) [Class]	Class I
Rated Insulating Voltage Ui [V]	500
Pollution Degree	3
Contact rating secondo UL50	A300 - Q300
Rated Impulsive Voltage Uimp [kV]	6
Conventional thermal current in air free Ith ($\theta < 40^\circ \text{C}$) [A]	10
Short circuit protection (EU <500Vac - fuses type gG (gl)) [A]	10
Operating currents Ie - AC-15 (50-60 Hz) according to IEC 60947-5-1	24V - 10A / 120V - 6A / 400V - 4A
DC-13 operating currents according to IEC 60947-5-1	24V - 6A / 125V - 0.55A / 250V - 0.4A
Switching Frequency [cycles/hour]	3600
Resistance Between Contacts [mΩ]	25
Connecting Terminals	M3.5 screw with cable clamp (+,-) pozidriv 2
Connecting Cables Dimensions [mm ²]	0.75 ... 2.5

PRODUCT DRAWING RELEASE:

Datasheet creation date: 29/05/2020 16:15

Last Modification (geometry): 27/02/2019 10:28



tel. +39 039 9906408
+39 039 9903468
fax +39 039 9906203



Via Novarino 9/L
23899 Robbiate (LC)
ITALY



www.comepi.it
comepi@comepi.it
tecnico@comepi.it

DETAILS:

Protective Conductor Terminal	M3.5 screw with cable clamp (+,-) pozidriv 2
Marking Terminals	According to IEC 60947-5-1
Mechanical Durability [Millions of Operations]	0.5
B10d [Millions of Operations]	1

PRODUCT DRAWING RELEASE:

Datasheet creation date: 29/05/2020 16:15

Last Modification (geometry): 27/02/2019 10:28

tel. +39 039 9906408
+39 039 9903468
fax +39 039 9906203Via Novarino 9/L
23899 Robbiate (LC)
ITALYwww.comepi.it
comepi@comepi.it
tecnico@comepi.it