

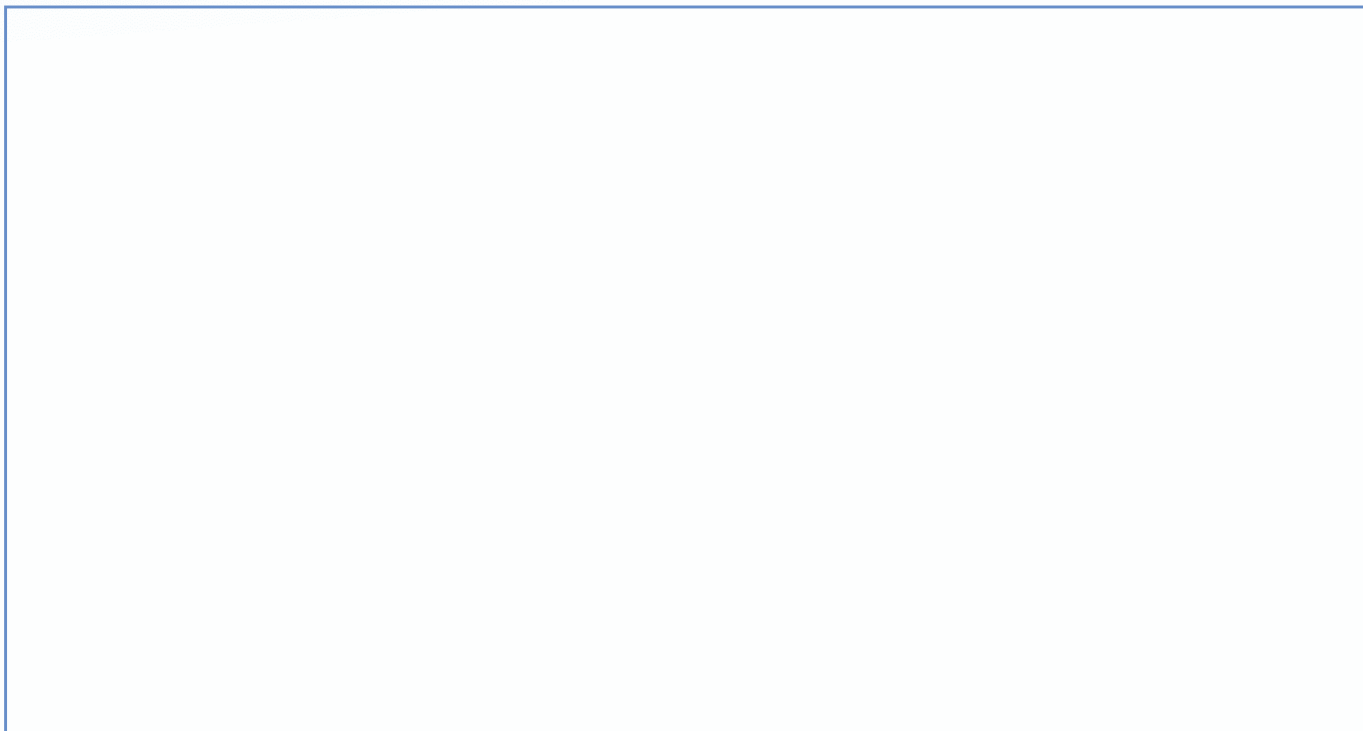
PRODUCT DESCRIPTION:

SDM_K96

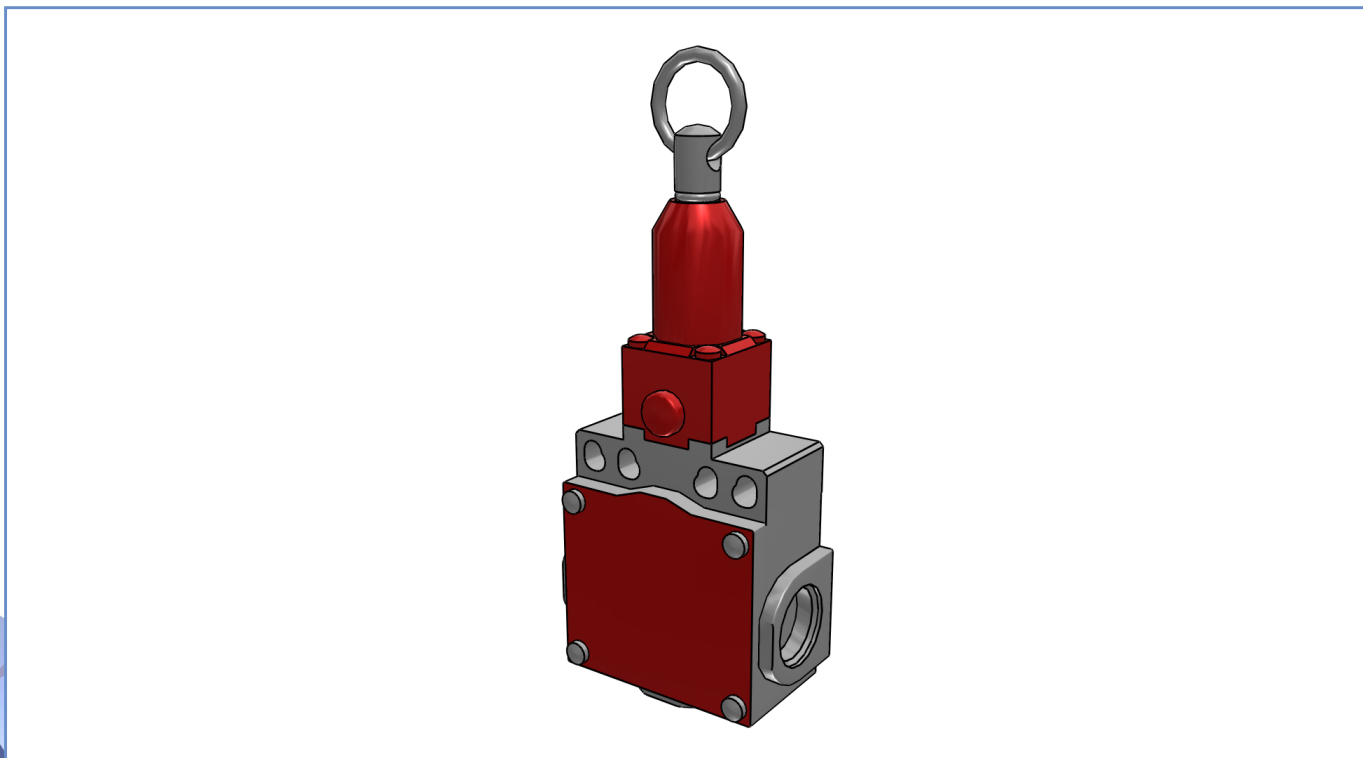
PRODUCT CODE:

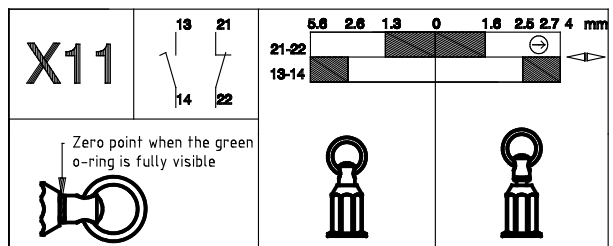
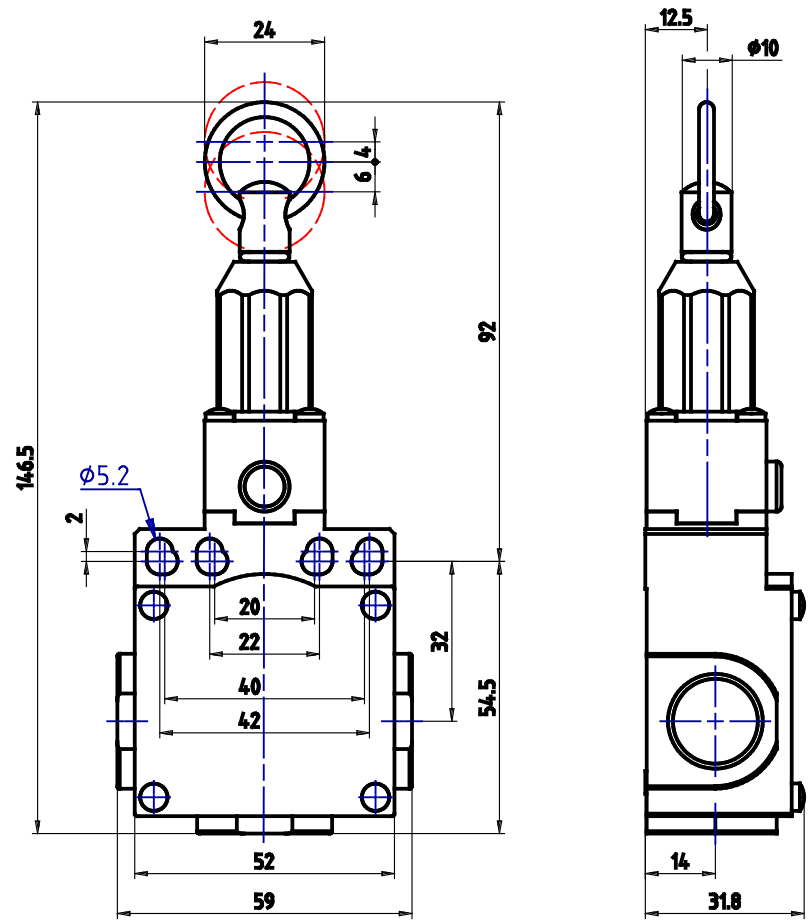
SDM1K96X11

DYNAMIC 3D VIEW:



STATIC 3D VIEW:



TECHNICAL VIEW:


DETAILS:

Part Number	SDM1K96X11
Casing Material	Painted zamak
Width [mm]	50
Electrical connections	Three threaded cable inlets for PG13.5 cable glands
IP Degree of Protection	IP66
Actuating Head	Axial rope without rest for simple reset
Head Material	Thermoplastic head
Microswitch	Non-overlapping slow action contacts (1NO + 1NC)
Approvals	IMQ - cULus - CCC - CSA - EAC
Reference Directives	LVD - 2014/35/EU
Reference Standards	IEC 60947-5-1 / EN 60947-5-1
Interlock type according to EN ISO 14119	/
Encoding level according to EN ISO 14119	/
Operating Temperatures [°C]	-25°C ... +70°C
Stock Temperatures [°C]	-30°C ... +80°C
Protection against electric shocks (according to IEC 60536) [Class]	Class I
Rated Insulating Voltage Ui [V]	500
Pollution Degree	3
Contact rating secondo UL50	A300 - Q300
Rated Impulsive Voltage Uimp [kV]	6
Conventional thermal current in air free Ith ($\theta < 40^\circ \text{C}$) [A]	10
Short circuit protection (EU <500Vac - fuses type gG (gl)) [A]	10
Operating currents Ie - AC-15 (50-60 Hz) according to IEC 60947-5-1	24V - 10A / 120V - 6A / 400V - 4A
DC-13 operating currents according to IEC 60947-5-1	24V - 6A / 125V - 0.55A / 250V - 0.4A
Switching Frequency [cycles/hour]	3600
Resistance Between Contacts [mΩ]	25
Connecting Terminals	M3.5 screw with cable clamp (+,-) pozidriv 2
Connecting Cables Dimensions [mm ²]	0.75 ... 2.5
Protective Conductor Terminal	M3.5 screw with cable clamp (+,-) pozidriv 2
Marking Terminals	According to IEC 60947-5-1

PRODUCT DRAWING RELEASE:

Datasheet creation date: 29/05/2020 16:26

Last Modification (geometry): 25/02/2019 14:39



DETAILS:

Mechanical Durability [Millions of Operations]	0.5
B10d [Millions of Operations]	1

PRODUCT DRAWING RELEASE:

Datasheet creation date: 29/05/2020 16:26

Last Modification (geometry): 25/02/2019 14:39

tel. +39 039 9906408
+39 039 9903468
fax +39 039 9906203Via Novarino 9/L
23899 Robbiate (LC)
ITALYwww.comepi.it
comepi@comepi.it
tecnico@comepi.it