

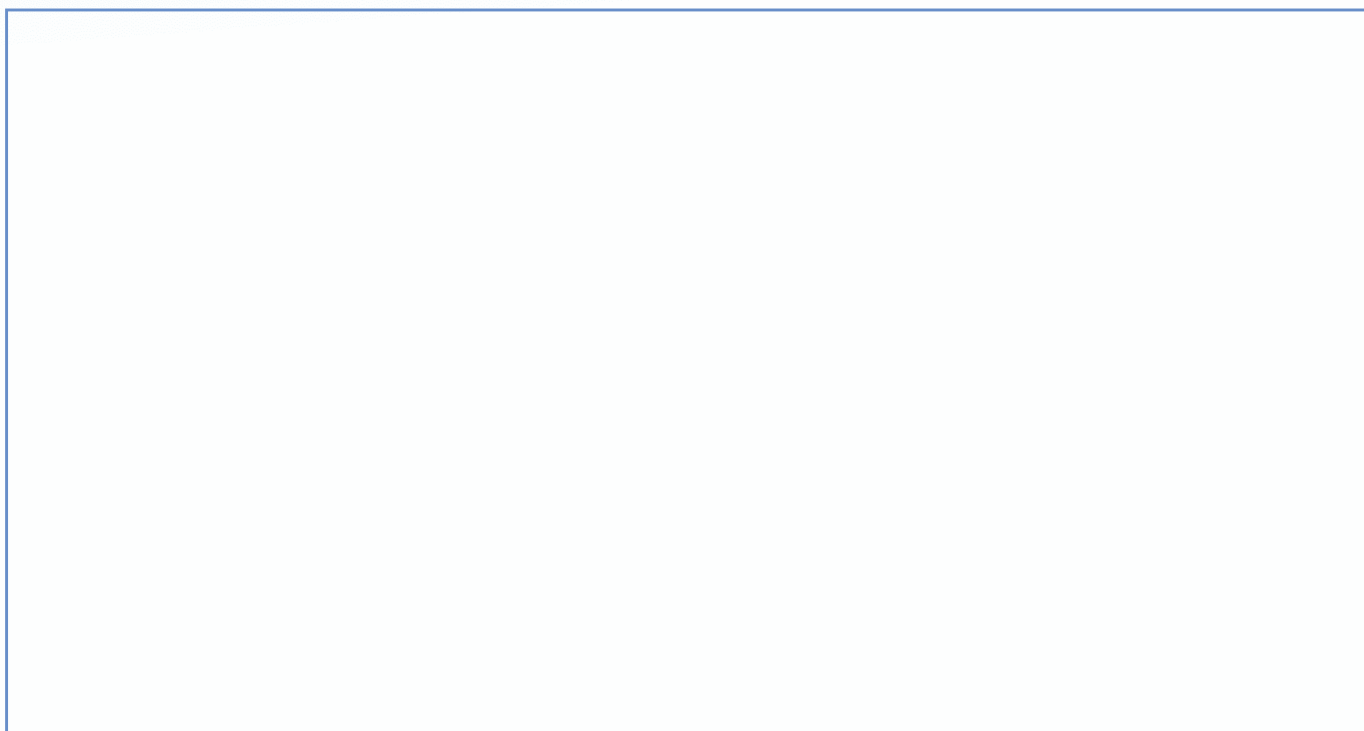
**PRODUCT DESCRIPTION:**

**SCM\_K9900**

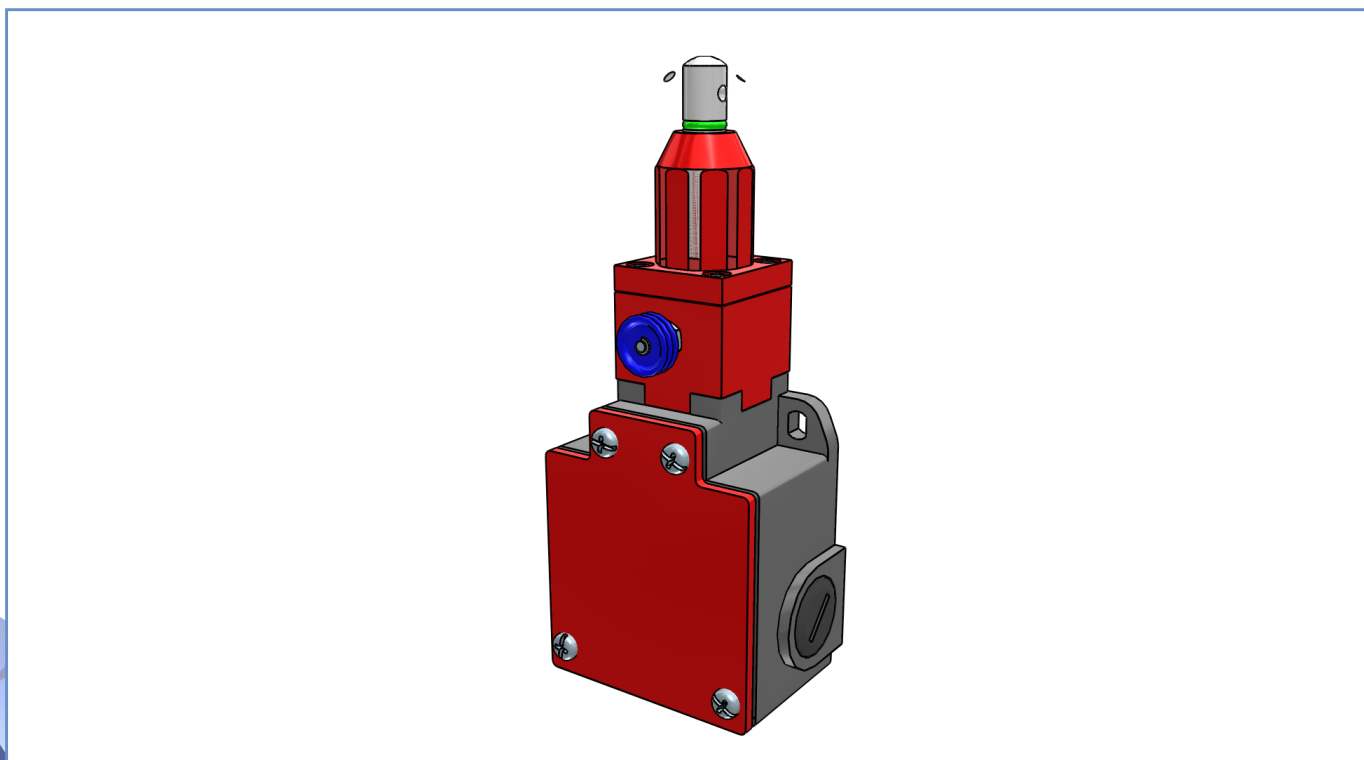
**PRODUCT CODE:**

**SCM1K9900X11**

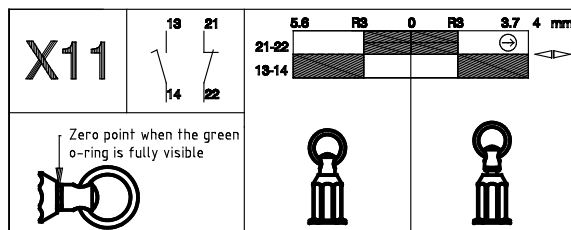
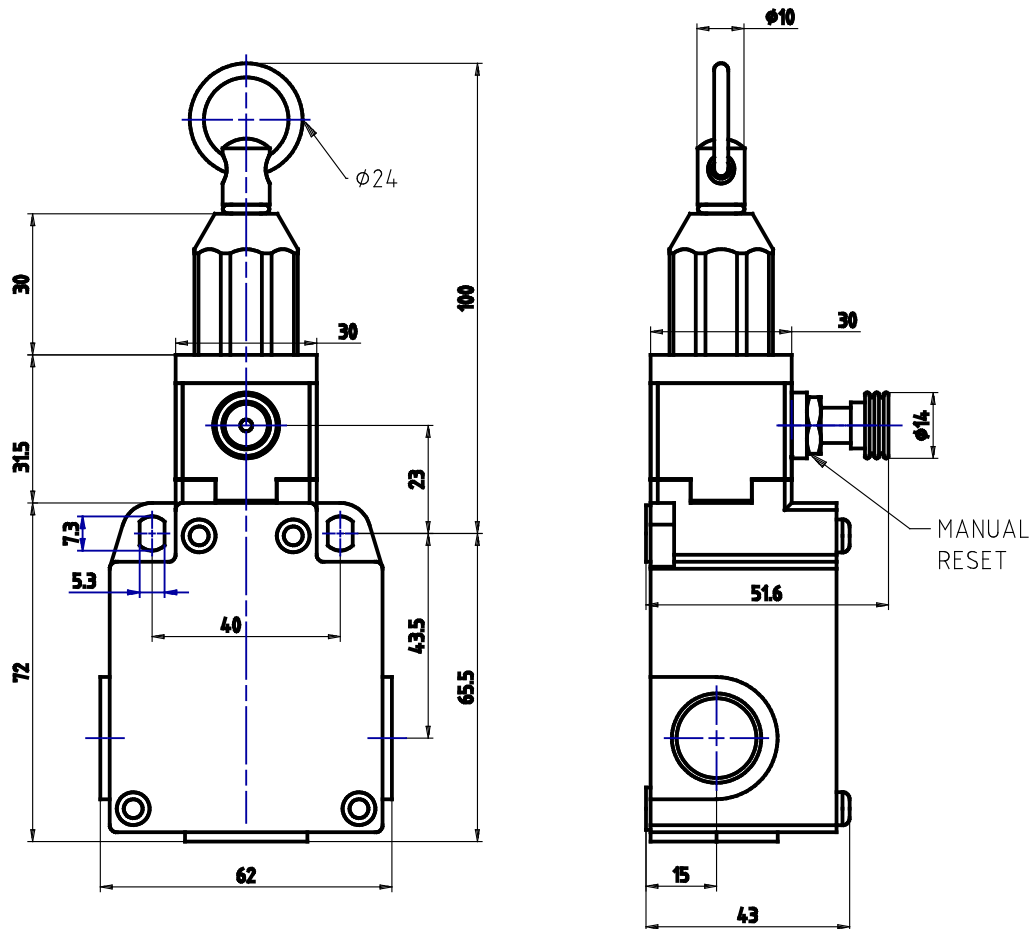
**DYNAMIC 3D VIEW:**



**STATIC 3D VIEW:**



## TECHNICAL VIEW:



## DETAILS:

Part Number	SCM1K9900X11
Casing Material	Painted aluminium
Width [mm]	60
Electrical connections	Three threaded cable inlets for PG13.5 cable glands
IP Degree of Protection	IP66
Actuating Head	Axial rope with reset for emergency stop
Head Material	Thermoplastic head
Microswitch	Non-overlapping slow action contacts ( 1NO + 1NC )
Approvals	IMQ - cULus - CCC - EAC
Reference Directives	2014/35/UE - 2006/42/CE
Reference Standards	IEC 60947-5-1 / EN 60947-5-1 / IEC 60947-5-5 / EN 60947-5-5
Interlock type according to EN ISO 14119	/
Encoding level according to EN ISO 14119	/
Operating Temperatures [°C]	-25°C ... +70°C
Stock Temperatures [°C]	-30°C ... +80°C
Protection against electric shocks (according to IEC 60536) [Class]	Class I
Rated Insulating Voltage Ui [V]	500
Pollution Degree	3
Contact rating secondo UL50	A600 - Q600
Rated Impulsive Voltage Uimp [kV]	6
Conventional thermal current in air free Ith ( $\theta < 40^\circ \text{C}$ ) [A]	10
Short circuit protection (EU <500Vac - fuses type gG (gl)) [A]	10
Operating currents Ie - AC-15 (50-60 Hz) according to IEC 60947-5-1	24V - 10A / 120V - 6A / 400V - 4A
DC-13 operating currents according to IEC 60947-5-1	24V - 6A / 125V - 0.55A / 250V - 0.4A
Switching Frequency [cycles/hour]	3600
Resistance Between Contacts [mΩ]	25
Connecting Terminals	M3.5 screw with cable clamp (+,-) pozidriv 2
Connecting Cables Dimensions [mm <sup>2</sup> ]	0.75 ... 2.5
Protective Conductor Terminal	M3.5 screw with cable clamp (+,-) pozidriv 2
Marking Terminals	According to IEC 60947-5-1

### PRODUCT DRAWING RELEASE:

Datasheet creation date: 28/05/2020 23:41

Last Modification (geometry): 25/02/2019 14:39



tel. +39 039 9906408  
+39 039 9903468  
fax +39 039 9906203



Via Novarino 9/L  
23899 Robbiate (LC)  
ITALY



www.comepi.it  
comepi@comepi.it  
tecnico@comepi.it

**DETAILS:**

Mechanical Durability [Millions of Operations]	0.5
B10d [Millions of Operations]	1

**PRODUCT DRAWING RELEASE:**

Datasheet creation date: 28/05/2020 23:41

Last Modification (geometry): 25/02/2019 14:39

tel. +39 039 9906408  
+39 039 9903468  
fax +39 039 9906203Via Novarino 9/L  
23899 Robbiate (LC)  
ITALY[www.comepi.it](http://www.comepi.it)  
[comepi@comepi.it](mailto:comepi@comepi.it)  
[tecnico@comepi.it](mailto:tecnico@comepi.it)