

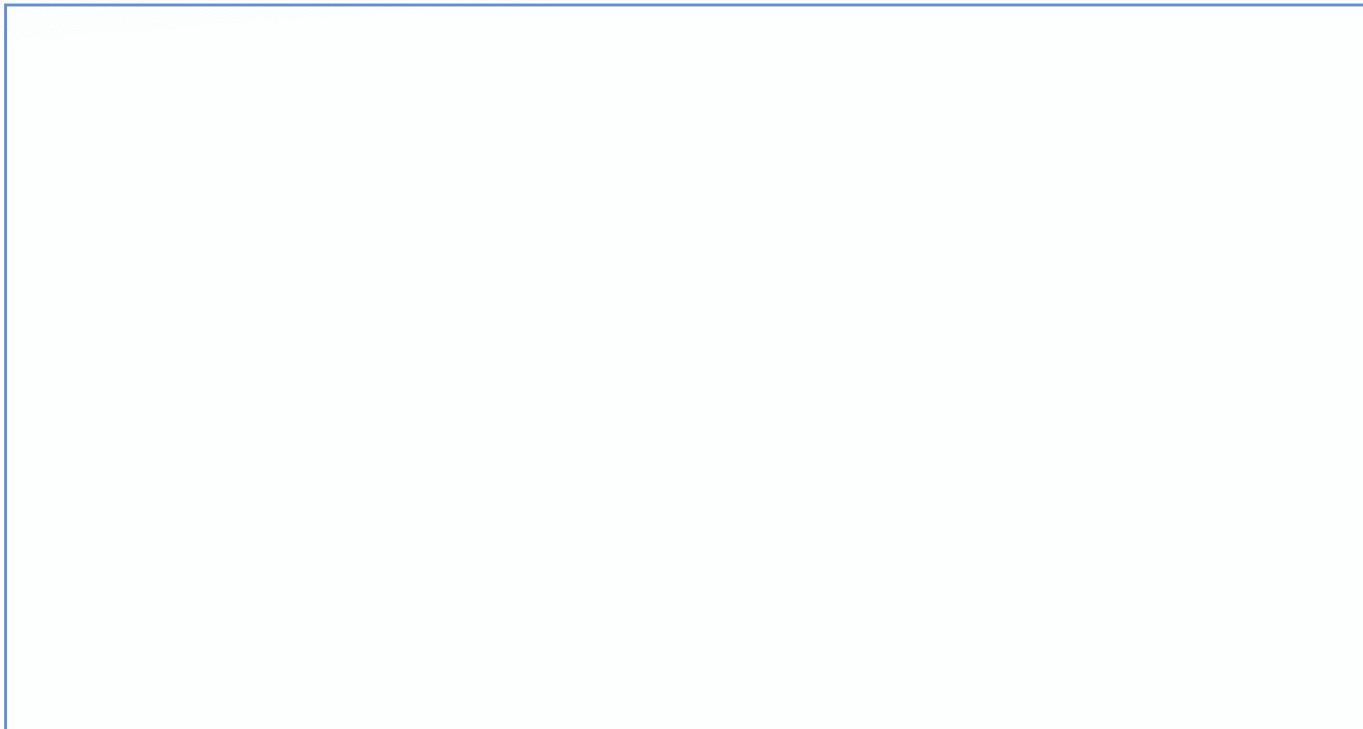
**PRODUCT DESCRIPTION:**

**SCM\_K9400**

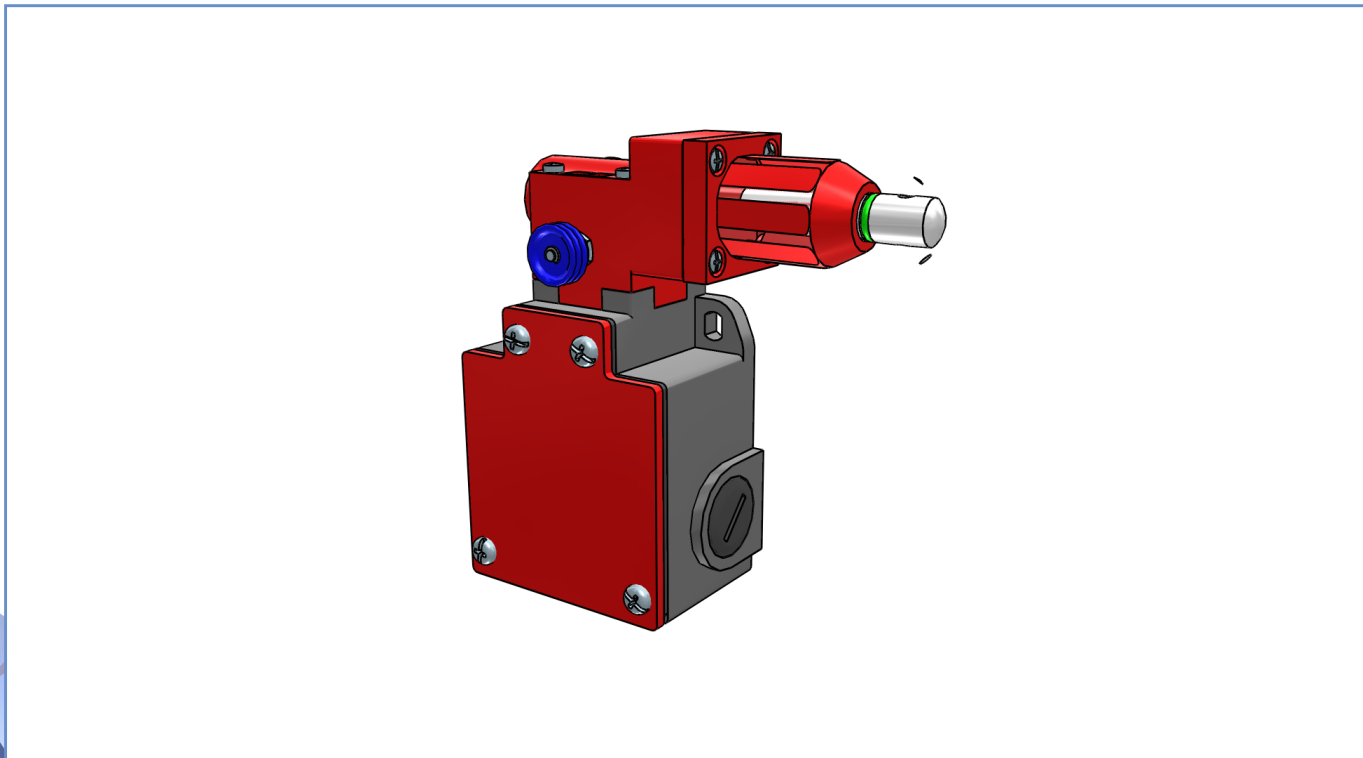
**PRODUCT CODE:**

**SCM1K9400X11**

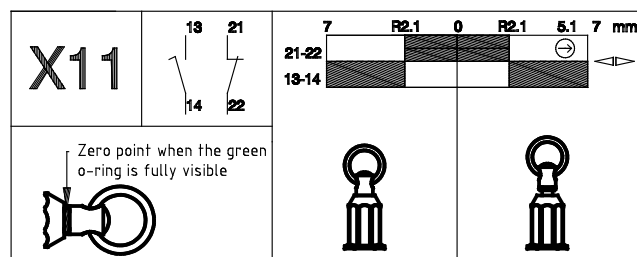
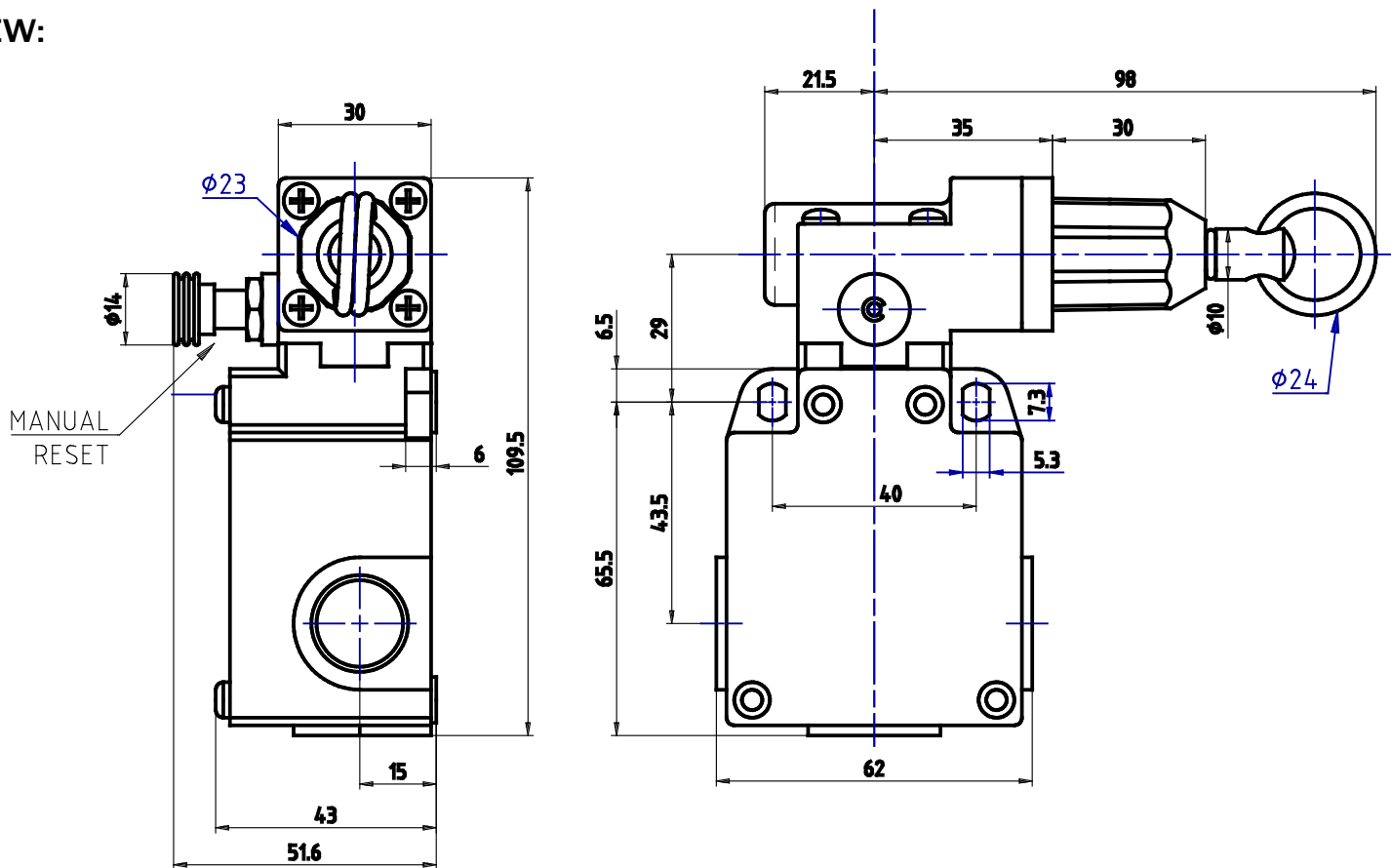
**DYNAMIC 3D VIEW:**



**STATIC 3D VIEW:**



TECHNICAL VIEW:



## DETAILS:

Part Number	SCM1K9400X11
Casing Material	Painted aluminium
Width [mm]	60
Electrical connections	Three threaded cable inlets for PG13.5 cable glands
IP Degree of Protection	IP66
Actuating Head	Transversal right rope with manual reset for emergency stop
Head Material	Thermoplastic head
Microswitch	Non-overlapping slow action contacts ( 1NO + 1NC )
Approvals	IMQ - cULus - CCC - EAC
Reference Directives	2014/35/UE - 2006/42/CE
Reference Standards	IEC 60947-5-1 / EN 60947-5-1 / IEC 60947-5-5 / EN 60947-5-5
Interlock type according to EN ISO 14119	/
Encoding level according to EN ISO 14119	/
Operating Temperatures [°C]	-25°C ... +70°C
Stock Temperatures [°C]	-30°C ... +80°C
Protection against electric shocks (according to IEC 60536) [Class]	Class I
Rated Insulating Voltage Ui [V]	500
Pollution Degree	3
Contact rating secondo UL50	A600 - Q600
Rated Impulsive Voltage Uimp [kV]	6
Conventional thermal current in air free Ith ( $\theta < 40 \text{ }^\circ \text{C}$ ) [A]	10
Short circuit protection (EU <500Vac - fuses type gG (gl)) [A]	10
Operating currents Ie - AC-15 (50-60 Hz) according to IEC 60947-5-1	24V - 10A / 120V - 6A / 400V - 4A
DC-13 operating currents according to IEC 60947-5-1	24V - 6A / 125V - 0.55A / 250V - 0.4A
Switching Frequency [cycles/hour]	3600
Resistance Between Contacts [mΩ]	25
Connecting Terminals	M3.5 screw with cable clamp (+,-) pozidriv 2
Connecting Cables Dimensions [mm <sup>2</sup> ]	0.75 ... 2.5

### PRODUCT DRAWING RELEASE:

Datasheet creation date: 28/05/2020 23:40

Last Modification (geometry): 25/02/2019 14:39



tel. +39 039 9906408  
+39 039 9903468  
fax +39 039 9906203



Via Novarino 9/L  
23899 Robbiate (LC)  
ITALY



www.comepi.it  
comepi@comepi.it  
tecnico@comepi.it

**DETAILS:**

<b>Protective Conductor Terminal</b>	<b>M3.5 screw with cable clamp (+,-) pozidriv 2</b>
<b>Marking Terminals</b>	<b>According to IEC 60947-5-1</b>
<b>Mechanical Durability [Millions of Operations]</b>	<b>0.5</b>
<b>B10d [Millions of Operations]</b>	<b>1</b>

**PRODUCT DRAWING RELEASE:**

Datasheet creation date: 28/05/2020 23:40

Last Modification (geometry): 25/02/2019 14:39

tel. +39 039 9906408  
+39 039 9903468  
fax +39 039 9906203Via Novarino 9/L  
23899 Robbiate (LC)  
ITALY[www.comepi.it](http://www.comepi.it)  
[comepi@comepi.it](mailto:comepi@comepi.it)  
[tecnico@comepi.it](mailto:tecnico@comepi.it)