
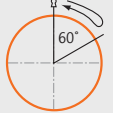
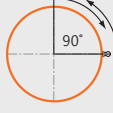
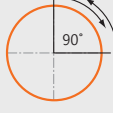
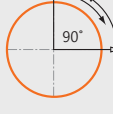
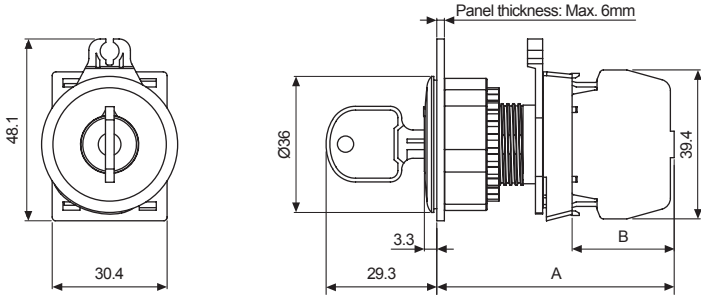



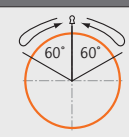

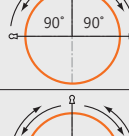
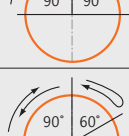
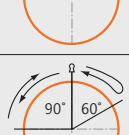
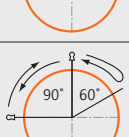
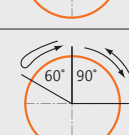
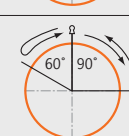
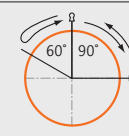
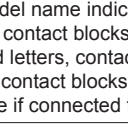
# Ø30 Key Selector Switches

## Ø30 Round Key Selector Switches (S3KF Series)

Type	Appearance	Model	Contact block		LED block											
			A contact	B contact	AC/DC voltage	AC voltage										
Flush	 S3KF-1ES□	2-position, spring return key removal: center 	S3KF-1ESA(M)	1	—	—	—									
			S3KF-1ES2A(M)	2	—											
			S3KF-1ESB(M)	—	1											
			S3KF-1ES2B(M)	—	2											
			S3KF-1ESAB(M)	1	1											
		2-position, maintained key removal: right 	S3KF-2DSA(M)	1	—											
			S3KF-2DS2A(M)	2	—											
			S3KF-2DSB(M)	—	1											
			S3KF-2DS2B(M)	—	2											
			S3KF-2DSAB(M)	1	1											
		2-position, maintained key removal: center 	S3KF-2ESA(M)	1	—											
			S3KF-2ES2A(M)	2	—											
			S3KF-2ESB(M)	—	1											
			S3KF-2ES2B(M)	—	2											
			S3KF-2ESAB(M)	1	1											
		2-position, maintained key removal: center + right 	S3KF-2FSA(M)	1	—											
			S3KF-2FS2A(M)	2	—											
			S3KF-2FSB(M)	—	1											
			S3KF-2FS2B(M)	—	2											
			S3KF-2FSAB(M)	1	1											
		※The M in the model name indicates modular type contact block. Models without M are singular contact block. ※The control unit, contact blocks, LED blocks are sold separately. (control unit: bold letters, contact block: regular letters) ※Connect up to 2 contact blocks. Connect the contact blocks only on the right and left side slots. It will not operate if connected to the center slot.														
		• Dimensions <span style="float: right;">(unit: mm)</span>														
						<table border="1"> <thead> <tr> <th></th> <th>A</th> <th>B</th> </tr> </thead> <tbody> <tr> <td>Singular type</td> <td>62.8</td> <td>27.0</td> </tr> <tr> <td>Modular type</td> <td>60.8</td> <td>25.0</td> </tr> </tbody> </table>			A	B	Singular type	62.8	27.0	Modular type	60.8	25.0
	A	B														
Singular type	62.8	27.0														
Modular type	60.8	25.0														
		※For panel cut-out dimensions, please refer to page A-100.														

# Ø30 Key Selector Switches

Control Switches

Type	Appearance	Model	Contact block		LED block			
			A contact	B contact	AC/DC voltage	AC voltage		
Flush	 <p>S3KF-3ES□</p>	3-position, spring return two-way key removal: center		<b>S3KF-3ES2A(M)</b>	2	—	—	—
			<b>S3KF-3ES2B(M)</b>	—	2			
			<b>S3KF-3ESAB(M)</b>	1	1			
		3-position, maintained key removal: left + right		<b>S3KF-4BS2A(M)</b>	2	—		
			<b>S3KF-4BS2B(M)</b>	—	2			
			<b>S3KF-4BSAB(M)</b>	1	1			
		3-position, maintained key removal: left+center + right		<b>S3KF-4CS2A(M)</b>	2	—		
			<b>S3KF-4CS2B(M)</b>	—	2			
			<b>S3KF-4CSAB(M)</b>	1	1			
		3-position, maintained key removal: center		<b>S3KF-4ES2A(M)</b>	2	—		
			<b>S3KF-4ES2B(M)</b>	—	2			
			<b>S3KF-4ESAB(M)</b>	1	1			
		3-position, spring return from right key removal: left		<b>S3KF-5AS2A(M)</b>	2	—		
			<b>S3KF-5AS2B(M)</b>	—	2			
			<b>S3KF-5ASAB(M)</b>	1	1			
		3-position, spring return from right key removal: center		<b>S3KF-5ES2A(M)</b>	2	—		
			<b>S3KF-5ES2B(M)</b>	—	2			
			<b>S3KF-5ESAB(M)</b>	1	1			
		3-position, spring return from left key removal: left+center		<b>S3KF-5GS2A(M)</b>	2	—		
			<b>S3KF-5GS2B(M)</b>	—	2			
			<b>S3KF-5GSAB(M)</b>	1	1			
		3-position, spring return from left key removal: right		<b>S3KF-6DS2A(M)</b>	2	—		
			<b>S3KF-6DS2B(M)</b>	—	2			
			<b>S3KF-6DSAB(M)</b>	1	1			
3-position, spring return from left key removal: center		<b>S3KF-6ES2A(M)</b>	2	—				
	<b>S3KF-6ES2B(M)</b>	—	2					
	<b>S3KF-6ESAB(M)</b>	1	1					
3-position, spring return from left key removal: center + right		<b>S3KF-6FS2A(M)</b>	2	—				
	<b>S3KF-6FS2B(M)</b>	—	2					
	<b>S3KF-6FSAB(M)</b>	1	1					

Ø16

Ø22/25

Ø30

□30

Push Button Switches

Round

Square

Rectangular

Selector Switches

Round

Square

Rectangular

Key Selector Switches

Round

Square

Rectangular

Double Push Button Switches

Mushroom-head Push Button Switches

Emergency Switches

Pilot Lights

Accessories

Buzzers

※The M in the model name indicates modular type contact block. Models without M are singular contact block.

※The control unit, contact blocks, LED blocks are sold separately.

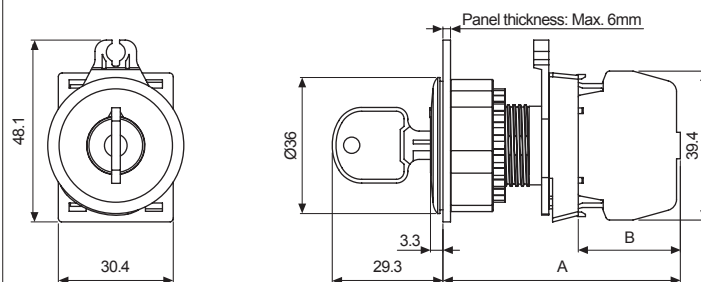
(control unit: bold letters, contact block: regular letters)

※Connect up to 2 contact blocks. Connect the contact blocks only on the right and left side slots.

It will not operate if connected to the center slot.

• Dimensions



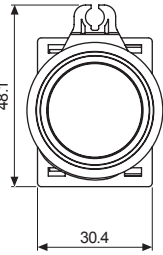
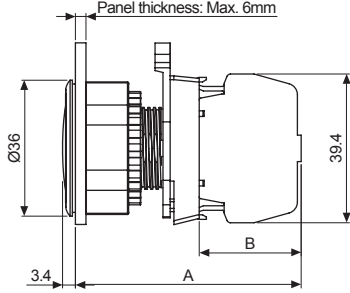
(unit: mm)



	A	B
Singular type	62.8	27.0
Modular type	60.8	25.0

※For panel cut-out dimensions, please refer to page A-100.

## Ø30 Pilot Lights (L3RF Series)

Type	Appearance	Model	Contact block		LED block										
			A contact	B contact	AC/DC voltage	AC voltage									
Flat round (flush)	 L3RF-L3G□  	L3RF(U)-L3□D(M)	—	—	1	—									
		L3RF(U)-L3□L(M)	—	—	—	1									
※□ indicates color : <b>R</b> , <b>B</b> , <b>G</b> , <b>Y</b> , <b>W</b> ※The M in the model name indicates modular type LED block. Models without M are singular LED block. ※Models without 'U' in the model name contain "Lamp" markings on the light cap. ※The light unit and LED blocks are sold separately. (light unit: bold letters, LED block: regular letters) ※The LED color is the same as the control unit.															
• Dimensions <span style="float: right;">(unit: mm)</span>															
						<table border="1"> <thead> <tr> <th></th> <th>A</th> <th>B</th> </tr> </thead> <tbody> <tr> <td>Singular type</td> <td>59.8</td> <td>27.0</td> </tr> <tr> <td>Modular type</td> <td>57.8</td> <td>25.0</td> </tr> </tbody> </table>		A	B	Singular type	59.8	27.0	Modular type	57.8	25.0
	A	B													
Singular type	59.8	27.0													
Modular type	57.8	25.0													
※For panel cut-out dimensions, please refer to page A-100.															

## Ø30 Panel Cut-out Dimensions

(unit: mm)

Type		A	B	Panel Cut-out Dimensions
Round Push Button Switches (S3PR/S3PF Series)		45	55	
Round Selector Switches (S3SF/S3SFN Series)	Short lever 	37	55	
	Long lever 	55	55	
Round Key Selector Switches (S3KF Series)		37	55	
Pilot Lights (L3RF Series)		37	55	