



## Potentiometer

### Data:

Electrical Characteristics:

Resistance Range ..... 1K $\Omega$  2K $\Omega$  5K $\Omega$  10K $\Omega$

resistance tolerance .....  $\pm 10\%$

Terminal resistance .....  $\leq 1\%R$

Contact resistance variation ..... 4%R

Insulation resistance .....  $R_1 \geq 1G\Omega$

Voltage Endurance ..... 101.3kpa 1000V, 8.5kpa 350V

Environmental characteristics:

Rated power(max operated voltage 250V) ..... +70 $^{\circ}C$

0.5W,+125 $^{\circ}C$  0W

Range of working temperature ..... -5 $^{\circ}C$ —+125 $^{\circ}C$

Collison ..... 390m/s<sup>2</sup>, 4000 times,  $\Delta R \leq \pm 2\%R$

Vibration ..... 10-500Hz, 0.75mm or 98m/s<sup>2</sup>, 3h


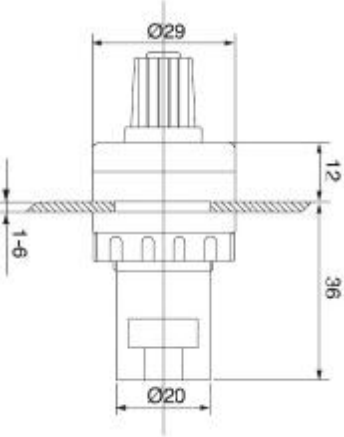

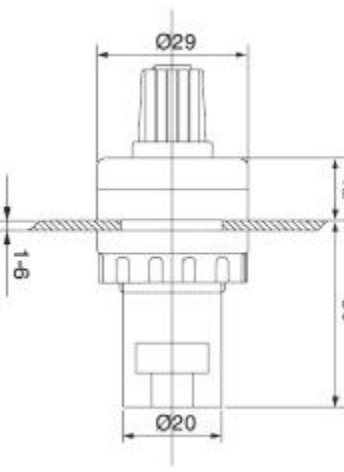

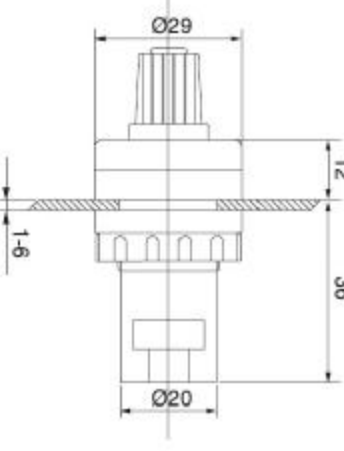
.....  $\Delta R \leq \pm 2\%R$ ,  $(\Delta U_{ab}/U_{ac}) \leq 2\%$

Electrical durability in 70 $^{\circ}C$  ..... 0.5W, 1000h,

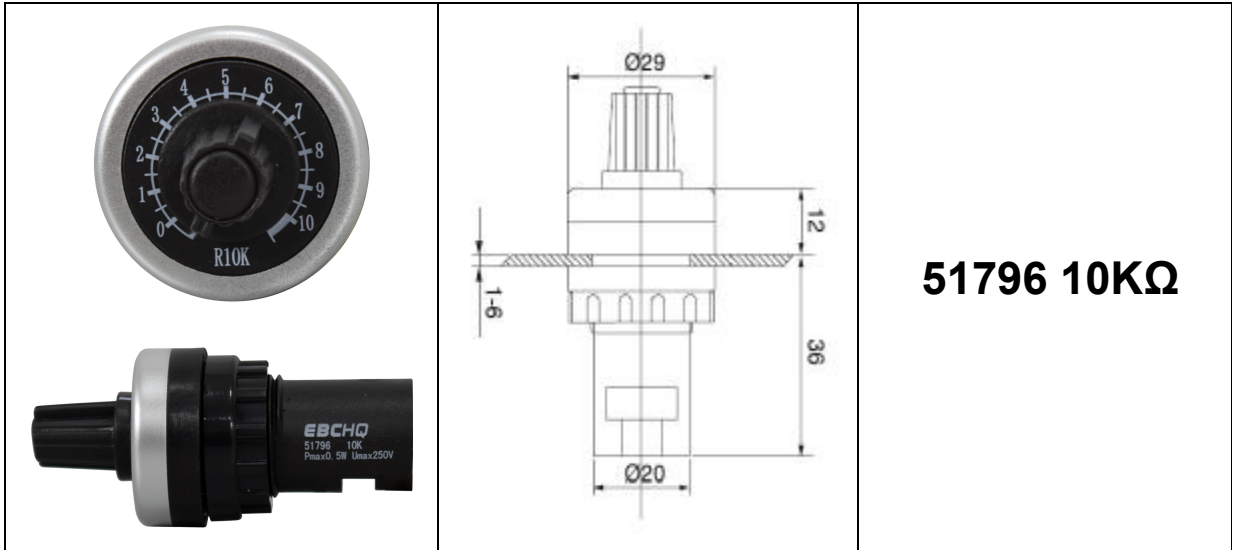
Mechanical endurance ..... 10000 weeks

Normal hot and humid condition .....  $\Delta R \leq \pm 2\%R$

# EBCHQ

Name/ picture	Size	Model
		<p><b>51790 1KΩ</b></p>
		<p><b>51792 2KΩ</b></p>
		<p><b>51794 5KΩ</b></p>

# EBCHQ



**51796 10K $\Omega$**