



An American Control Electronics Brand

## *MM23xx1C Series*

### *USER MANUAL*

MM23001C  
MM23001C-Q  
MM23011C  
MM23011C-Q  
MM23101C  
MM23111C  
MM23201C  
MM23211C  
MM23401C  
MM23411C

Dear Valued Consumer:

Congratulations on your purchase of the **MM23xx1C Series** drive. This User Manual was created for you to get the most out of your new device and assist with the initial setup. Please visit [www.minarikdrives.com](http://www.minarikdrives.com) to learn more about our other drives.

Thank you for choosing **Minarik Drives!**

No part of this document may be reproduced or transmitted in any form without written permission from American Control Electronics®. The information and technical data in this document are subject to change without notice. American Control Electronics® makes no warranty of any kind with respect to this material, including, but not limited to, the implied warranties of its merchantability and fitness for a given purpose. American Control Electronics® assumes no responsibility for any errors that may appear in this document and makes no commitment to update or to keep current the information in this document.

# Safety First!

## SAFETY WARNINGS



Text in gray boxes denote important safety tips or warnings. Please read these instructions carefully before performing any of the procedures contained in this manual.

- **DO NOT INSTALL, REMOVE, OR REWIRE THIS EQUIPMENT WITH POWER APPLIED.** Have a qualified electrical technician install, adjust and service this equipment. Follow the National Electrical Code and all other applicable electrical and safety codes, including the provisions of the Occupational Safety and Health Act (OSHA), when installing equipment.
- Reduce the chance of an electrical fire, shock, or explosion by using proper grounding techniques, over-current protection, thermal protection, and enclosure. Follow sound maintenance procedures.



It is possible for a drive to run at full speed as a result of a component failure. Minarik Drives strongly recommends the installation of a master switch in the main power input to stop the drive in an emergency.

Circuit potentials are at 115 VAC or 230 VAC above earth ground. Avoid direct contact with the printed circuit board or with circuit elements to prevent the risk of serious injury or fatality. Use a non-metallic screwdriver for adjusting the calibration trim pots. Use approved personal protective equipment and insulated tools if working on this drive with power applied.

## Table of Contents

---

<b>Section 1. Specifications .....</b>	<b>1</b>
<b>Section 2. Dimensions.....</b>	<b>3</b>
<b>Section 3. Installation.....</b>	<b>10</b>
Heat Sinking .....	10
Mounting .....	11
Chassis .....	11
Speed Adjust Potentiometer .....	12
NEMA 1 .....	13
NEMA 4X .....	14
Wiring .....	15
Shielding Guidelines.....	16
Line Fusing .....	17
Connections.....	19
Quick-Disconnect Terminal Block .....	19
Power Inputs .....	21
Motor.....	21
Field Output Connections.....	22
Speed Adjust Potentiometer .....	23
Meter (MM230x1C-H models only) .....	23
Analog Input Signal .....	24
<b>Section 4. Operation.....</b>	<b>28</b>
Before Applying Power .....	28
Select Switches .....	29
Input Voltage Select (SW501) .....	29
Armature Voltage Select (SW502) .....	29
Startup .....	30
MM23001C, MM23001C-Q, MM23011C, MM23011C-Q.....	30
MM23101C, MM23111C, MM23401C, MM23411C.....	30
MM23201C and MM23211C .....	31
Starting and Stopping Methods .....	32

Line Starting and Stopping .....	32
Dynamic Braking .....	33
Inhibit Terminals .....	35
Decelerating to Minimum Speed .....	36
<b>Section 5. Calibration .....</b>	<b>37</b>
Minimum Speed (MIN SPD) .....	38
Maximum Speed (MAX SPD) .....	38
Torque (TORQUE) .....	39
IR Compensation (IR COMP) .....	40
Acceleration (ACCEL) .....	42
Deceleration (DECEL) .....	42
<b>Section 6. Application Notes .....</b>	<b>43</b>
Multiple Fixed Speeds .....	43
Adjustable Speeds Using Potentiometers In Series .....	44
Independent Adjustable Speeds .....	45
RUN/JOG Switch - Inhibit Connection .....	46
RUN/JOG Switch - Potentiometer Connection .....	47
Leader-Follower Application .....	48
Single Speed Potentiometer Control Of Multiple Drives .....	49
Reversing .....	50
<b>Section 7. Diagnostic LEDs .....</b>	<b>51</b>
<b>Section 8. Troubleshooting .....</b>	<b>52</b>
Before Troubleshooting .....	52
<b>Section 9. Block Diagrams .....</b>	<b>55</b>
<b>Section 10. Accessories &amp; Replacement Parts .....</b>	<b>58</b>
<b>Unconditional Warranty .....</b>	<b>59</b>

## List of Tables

---

Table 1	Recommended Line Fuse Sizes .....	18
Table 2	Short Circuit Current Ratings .....	18
Table 3	Field Output Connections .....	22
Table 3	Minimum Recommended Dynamic Brake Resistor Values ...	34

## List of Figures

---

Figure 1	MM23001C and MM23011C Dimensions .....	3
Figure 2	MM23001C-Q and MM23011C-Q Dimensions .....	4
Figure 3	MM23101C and MM23111C Dimensions .....	5
Figure 4	MM23201C and MM23211C Dimensions .....	6
Figure 5	MM23401C and MM23411C Dimensions .....	7
Figure 6	223-0159 Dimensions .....	8
Figure 7	223-0174 Dimensions .....	9
Figure 8	Speed Adjust Potentiometer .....	12
Figure 9	Quick-Disconnect Terminal Block .....	20
Figure 10	Analog Input Signal Connections .....	24
Figure 11	Chassis Drive Connections .....	25
Figure 12	MM23001C-Q and MM23011C-Q Connections .....	26
Figure 13	Cased Drive Connections .....	27
Figure 14	Select Switches .....	29
Figure 15	Dynamic Brake Wiring .....	34
Figure 16	Inhibit Terminals .....	35
Figure 17	Run/Decelerate to Minimum Speed Switch .....	36
Figure 18	Recommended TORQUE and IR COMP Settings .....	41
Figure 19	Multiple Fixed Speeds .....	43
Figure 20	Adjustable Speeds Using Potentiometers in Series .....	44
Figure 21	Independent Adjustable Speeds .....	45
Figure 22	RUN/JOG Switch - Inhibit Connection .....	46
Figure 23	RUN/JOG Switch - Potentiometer Connection .....	47
Figure 24	Leader-Follower Application .....	48
Figure 25	Single Speed Potentiometer Control of Multiple Drives .....	49
Figure 26	Reversing Circuit Wiring .....	50
Figure 27	Diagnostic LED Locations .....	51
Figure 28	MM23xx1C Series Block Diagram .....	55

Figure 29	MM23101C, MM23111C, MM23401C, and MM23411C Terminal Block Connections .....	56
Figure 30	MM23201C and MM23211C Terminal Block Connections ...	57



## Section 1. Specifications

<i>Model</i>	<i>Maximum Armature Current (ADC)</i>	<i>HP Range with 90 VDC Motor</i>	<i>HP Range with 180 VDC Motor</i>	<i>Enclosure</i>
MM23011C	1.5	1/20 - 1/8	1/10 - 1/4	Chassis
MM23111C				NEMA 1
MM23211C				NEMA 1
MM23411C				NEMA 4X
MM23072A				Chassis
MM23001C*	10.0	1/8 - 1	1/4 - 2	Chassis
MM23101C**				NEMA 1
MM23201C**				NEMA 1
MM23401C				NEMA 4X
MM23071A*				Chassis

\* Heat sink kit part number 223-0159 must be used when the continuous current output is over 5 amps.

\*\* Heat sink kit part number 223-0174 must be used when the continuous current output is over 5 amps.

<b>AC Line Voltage</b>	115/230 VAC ± 10% 50/60 Hz, single phase
<b>DC Armature Voltage</b>	
with 115 VAC Line Voltage	0 - 90 VDC
with 230 VAC Line Voltage	0 - 180 VDC
<b>Field Voltage</b>	
with 115 VAC Line Voltage	50 VDC (F1 to L1); 100 VDC (F1 to F2)
with 230 VAC Line Voltage	100 VDC (F1 to L1); 200 VDC (F1 to F2)
<b>Maximum Field Current</b>	1 ADC
<b>Acceleration Time Range</b>	
for 0 - 90 VDC Armature Voltage	0.5 - 11 seconds
for 0 - 180 VDC Armature Voltage	0.5 - 22 seconds
<b>Deceleration Time Range</b>	
for 0 - 90 VDC Armature Voltage	coast to a stop - 13 seconds
for 0 - 180 VDC Armature Voltage	coast to a stop - 25 seconds

## MM23xx1C Series

---

### Deceleration Time Range

*for 0 - 90 VDC Armature Voltage*

coast to a stop - 13 seconds

*for 0 - 180 VDC Armature Voltage*

coast to a stop - 25 seconds

---

### Analog Input Range

(signal must be isolated; S1 to S2)

*with 115 VAC Line Voltage*

0 - 1.4 VDC

*with 230 VAC Line Voltage*

0 - 2.8 VDC

---

### Input Impedance (S1 to S2)

>100K ohms

---

### Form Factor

1.37 at base speed

---

### Load Regulation

1% base speed or better

---

### Speed Range

60:1

---

### Vibration

0.5G maximum (0 - 50 Hz)

0.1G maximum (> 50 Hz)

---

### Safety Certifications

UL/cUL Listed Equipment, File # E132235

UL/cUL Overload Protection (except -Q models)

CSA Certified Component, File # LR41380

---

### Ambient Temperature Range

*Chassis Drive*

10°C - 55°C

*Cased Drive*

10°C - 40°C

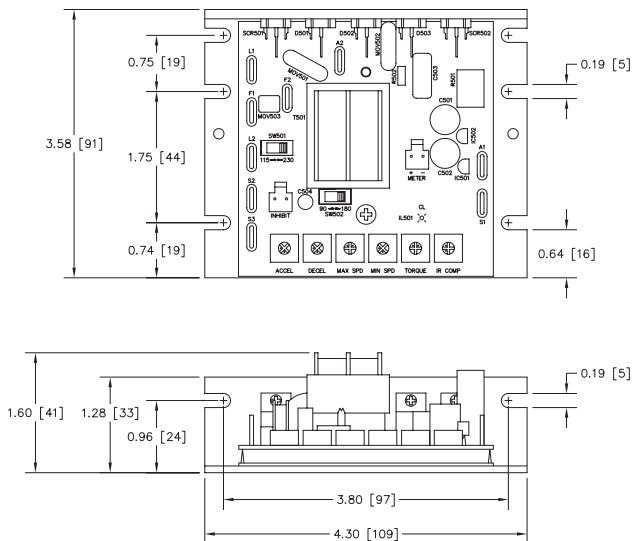
---

## Suffix Definitions

- H: Basic Drive with Inhibit Style Connector for Meter
- Q: Basic Drive with Power LED and Quick Disconnect Terminal Block

MM2307xA: Basic Drive with Power LED and Vertical Trim Pots

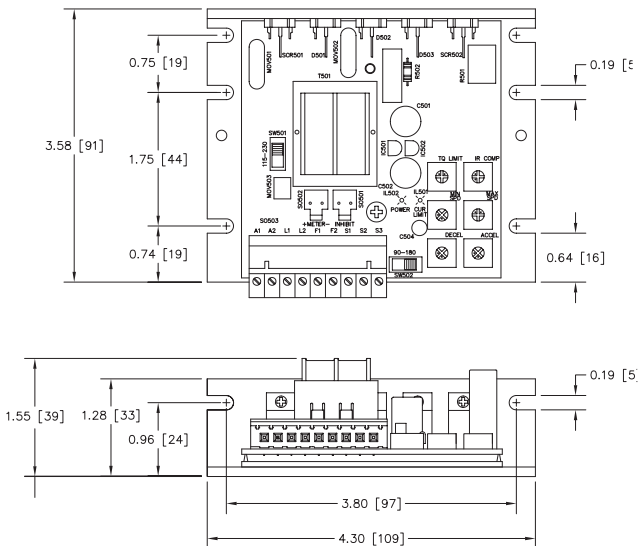
## Section 2. Dimensions



ALL DIMENSIONS IN INCHES [MILLIMETERS]

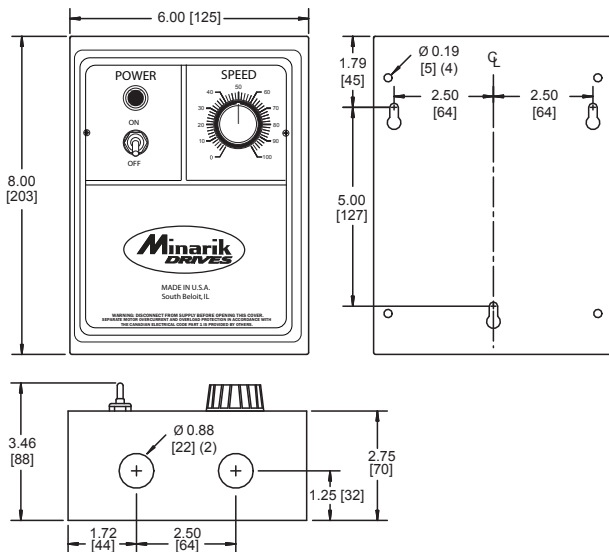
Figure 1. MM23001C and MM23011C Dimensions

# MM23xx1C Series



ALL DIMENSIONS IN INCHES [MILLIMETERS]

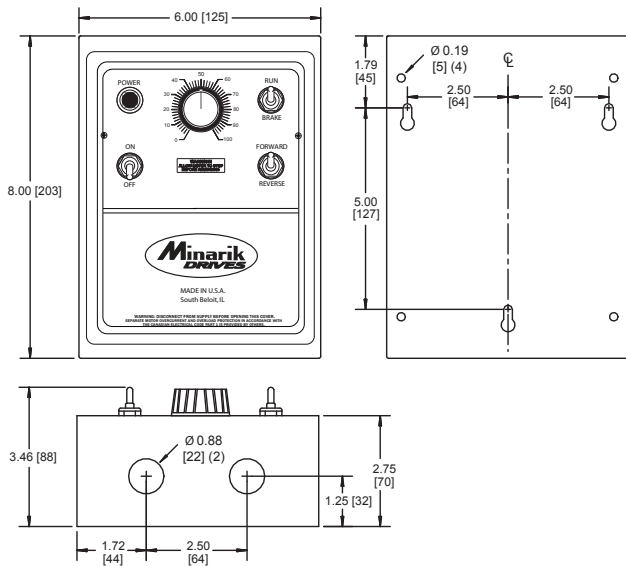
Figure 2. MM23001C-Q and MM23011C-Q Dimensions



ALL DIMENSIONS IN INCHES [MILLIMETERS]

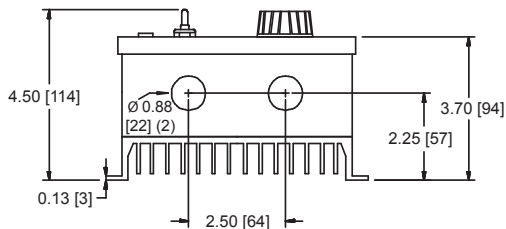
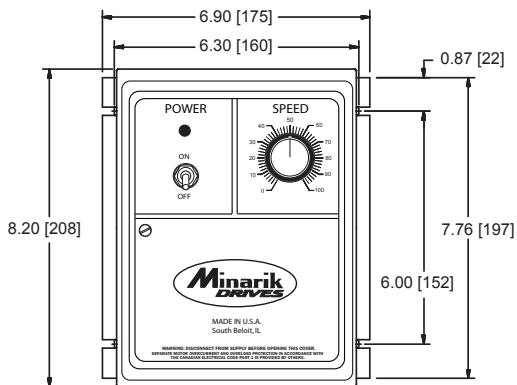
Figure 3. MM23101C and MM23111C Dimensions

# MM23xx1C Series



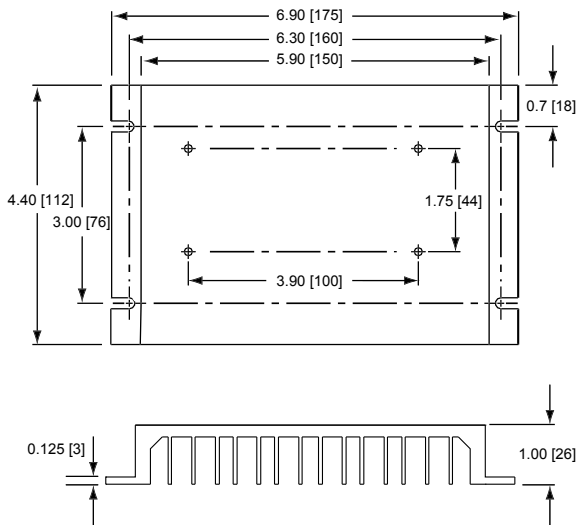
ALL DIMENSIONS IN INCHES [MILLIMETERS]

Figure 4. MM23201C and MM23211C Dimensions



ALL DIMENSIONS IN INCHES [MILLIMETERS]

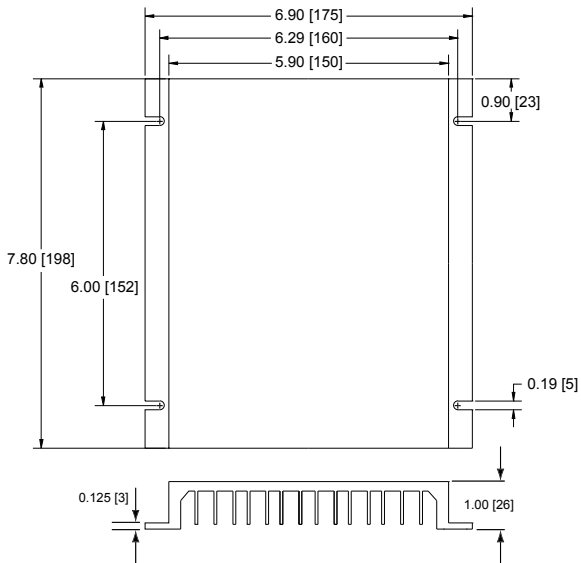
Figure 5. MM23401C and MM23411C Dimensions



ALL DIMENSIONS IN INCHES [MILLIMETERS]

Figure 6. 223-0159 Dimensions





ALL DIMENSIONS IN INCHES [MILLIMETERS]

Figure 7. 223-0174 Dimensions

### Section 3. Installation



**Do not install, rewire, or remove this control with input power applied.** Failure to heed this warning may result in fire, explosion, or serious injury. Make sure you read and understand the Safety Precautions on page i before attempting to install this product.

#### Heat Sinking

##### Chassis

Models MM23001C and MM23001C-Q require an additional heat sink when the continuous armature current is above 5 amps. Use heat sink kit part number 223-0159. All other chassis drives have sufficient heat sinking in their basic configuration. Use a thermally conductive heat sink compound (such as Dow Corning® 340 Heat Sink Compound) between the chassis and the heat sink surface for optimum heat transfer.

##### NEMA 1

Models MM23101C and MM23201C require an additional heat sink when the continuous armature current is above 5 amps. Use heat sink kit part number 223-0174. All other NEMA 1 drives have sufficient heat sinking in their basic configuration. Use a thermally conductive heat sink compound (such as Dow Corning® 340 Heat Sink Compound) between the chassis and the heat sink surface for optimum heat transfer.

##### NEMA 4X

All NEMA 4X models come with the heat sink already attached. Therefore, all NEMA 4X drives have sufficient heat sinking in their basic configuration.

## Mounting

### Chassis

- Drive components are sensitive to electrostatic discharge. Avoid direct contact with the circuit board. Hold the drive by the chassis or heat sink only.
- Protect the drive from dirt, moisture, and accidental contact.
- Provide sufficient room for access to the terminals and calibration trim pots.
- Mount the drive away from heat sources. Operate the drive within the specified ambient operating temperature range.
- Prevent loose connections by avoiding excessive vibration of the drive.
- Mount the drive with its board in either a horizontal or vertical plane. Eight 0.19" (5 mm) wide slots in the chassis accept #8 pan head screws. Fasten either the large base or the narrow flange of the chassis to the subplate.
- The chassis should be earth grounded. Use a star washer beneath the head of at least one of the mounting screws to penetrate the anodized surface and to reach bare metal.

## Speed Adjust Potentiometer



Be sure that the potentiometer tabs do not make contact with the potentiometer's body. Grounding the input will cause damage to the drive.

If using a remote potentiometer with a chassis drive, mount the speed adjust potentiometer through a 0.38 in. (10 mm) hole with the hardware provided (Figure 8). Install the circular insulating disk between the panel and the 10K ohm speed adjust potentiometer.

Twist the speed adjust potentiometer wire to avoid picking up unwanted electrical noise. If the speed adjust potentiometer wires are longer than 18 in. (46 cm), use shielded cable. Keep the speed adjust potentiometer wires separate from power leads (L1, L2, A1, A2, F1, F2).

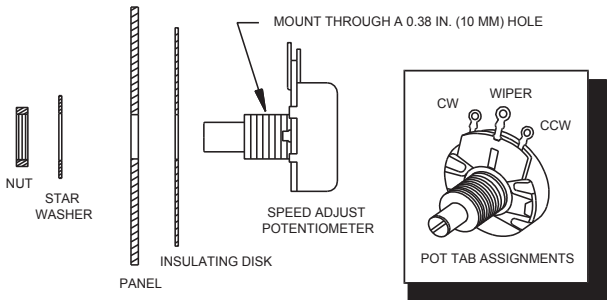


Figure 8. Speed Adjust Potentiometer

## Mounting (NEMA 1 Enclosures)

NEMA 1 cased drives come with two 0.88 inch (22 mm) conduit holes at the bottom of the case. The units may be vertically wall mounted or horizontally bench mounted using the three keyholes on the back of the case.

1. For access to the keyholes and the terminal strip, remove the two screws from the front of the case by turning them counterclockwise. Grasp the front cover and pull it straight out.
2. Install the mounting screws in the three keyholes.
3. Set the POWER switch to the OFF position before applying the AC line voltage.
4. Install conduit hardware through the conduit holes at the bottom of the case. Connect external wiring to the terminal block.
5. Reinstall the front cover. Avoid pinching any wires between the front cover and the case.
6. Reinstall the two screws on the front cover. Turn the screws clockwise to tighten.

### Mounting (NEMA 4X Enclosures)

NEMA 4X cased drives come with two 0.88 inch (22 mm) conduit knockout holes at the bottom of the case. The units may be vertically wall mounted using the four 0.19 inch (5 mm) slotted holes on the attached heat sink. For motor loads less than 5 ADC, the drive may be bench mounted horizontally or operated without mounting.

1. Install the mounting screws.
2. For access to the terminal strip, turn the slotted screw on the front cover counterclockwise until it is free from the case. The right side of the cover is hinged to the case. Pull the slotted screw to open the case.
3. Carefully remove the conduit knockouts by tapping them into the case and twisting them off with pliers.
4. Set the POWER switch to the OFF position before applying the AC line voltage.
5. Install conduit hardware through the 0.88 inch (22 mm) knockout holes. Connect external wiring to the terminal block.
6. Grasp the slotted screw and tilt the front cover back into place. Avoid pinching any wires between the front cover and the case.
7. Turn the slotted screw clockwise until tight to secure the front cover.

## Wiring



**Do not install, rewire, or remove this control with input power applied.** Failure to heed this warning may result in fire, explosion, or serious injury.

Circuit potentials are at 115 or 230 VAC above ground. To prevent the risk of injury or fatality, avoid direct contact with the printed circuit board or with circuit elements.

Do not disconnect any of the motor leads from the drive unless power is removed or the drive is disabled. Opening any one motor lead while the drive is running may destroy the drive.

This product does not have internal solid state motor overload protection. It does not contain speed-sensitive overload protection, thermal memory retention or provisions to receive and act upon signal from remote devices for over temperature protection. If motor over protection is needed in the end-use product, it needs to be provided by additional equipment in accordance with NEC standards.

- Use 18 - 24 AWG wire for logic wiring. Use 14 - 16 AWG wire for AC line and motor wiring.

### Shielding Guidelines



Under no circumstances should power and logic level leads be bundled together. Induced voltage can cause unpredictable behavior in any electronic device, including motor controls.

As a general rule, it is recommended to shield all conductors. If it is not practical to shield power conductors, it is recommended to shield all logic-level leads. If shielding of all logic-level leads is not practical, the user should twist all logic leads with themselves to minimize induced noise.

It may be necessary to earth ground the shielded cable. If noise is produced by devices other than the drive, ground the shield at the drive end. If noise is generated by a device on the drive, ground the shield at the end away from the drive. Do not ground both ends of the shield.

If the drive continues to pick up noise after grounding the shield, it may be necessary to add AC line filtering devices, or to mount the drive in a less noisy environment.

Logic wires from other input devices, such as motion controllers and PLL velocity controllers, must be separated from power lines in the same manner as the logic I/O on this drive.



## Line Fusing

Chassis drives should be fused for protection. Use fast acting fuses rated for 250 VAC or higher and 150% of maximum armature current. Fuse HOT L1 only when the line voltage is 115 VAC. Fuse both L1 and L2 when the line voltage is 230 VAC. Table 1 on page 17 lists the recommended line fuse sizes.

Cased models come with preinstalled fuses. Models MM23101C, MM23201C, and MM23401C are preinstalled with 15 amp fuses. Models MM23111C, MM23211C, and MM23411C are preinstalled with 3 amp fuses.

Preinstalled line fuses are rated for maximum horsepower. If the horsepower rating of the motor being used is less than the maximum horsepower rating of the drive, the line fuse may have to be replaced with a lower rated one. Fuses should be rated for 250 VAC or higher and approximately 150% of the maximum armature current. Refer to Table 1 on page 17 to install a lower rated fuse.

Refer to Table 2 on page 18 for Short Circuit Current Ratings (SCCR).

**Table 1. Recommended Line Fuse Sizes**

<i>90 VDC Motor Horsepower</i>	<i>180 VDC Motor Horsepower</i>	<i>Maximum DC Armature Current (amps)</i>	<i>AC Line Fuse Size (amps)</i>
<i>1/20</i>	<i>1/10</i>	<i>0.5</i>	<i>1</i>
<i>1/15</i>	<i>1/8</i>	<i>0.8</i>	<i>1.5</i>
<i>1/8</i>	<i>1/4</i>	<i>1.5</i>	<i>3</i>
<i>1/6</i>	<i>1/3</i>	<i>1.7</i>	<i>3</i>
<i>1/4</i>	<i>1/2</i>	<i>2.5</i>	<i>5</i>
<i>1/3</i>	<i>3/4</i>	<i>3.5</i>	<i>8</i>
<i>1/2</i>	<i>1</i>	<i>5.0</i>	<i>10</i>
<i>3/4</i>	<i>1 ½</i>	<i>7.5</i>	<i>15</i>
<i>1</i>	<i>2</i>	<i>10</i>	<i>15</i>

See Section 10: Accessories and Replacement Parts for fuse kit part numbers.

**Table 2. Short Circuit Current Ratings**

Drive Model	Short Circuit Current Rating		Types of Branch Circuit Protection		Maximum Rating of Overcurrent Protection
	Maximum Current, A	Maximum Voltage, V			
MM23001C	10,000	240 V	Non-time Delay K5 Fuse	Inverse Time Circuit Breaker	30 A
MM23101C					
MM23201C					
MM23401C					
MM23071A					

## Connections



**Do not connect this equipment with power applied.** Failure to heed this warning may result in fire, explosion, or serious injury.

**Minarik Drives strongly recommends the installation of a master power switch in the voltage input line, as shown in Figure 9 (page 21).** The switch contacts should be rated at a minimum of 200% of motor nameplate current and 250 volts. This power switch is provided with NEMA 1 and NEMA 4X models.

### Quick-Disconnect Terminal Block (-Q Drives Only)

The quick-disconnect terminal block, found only on -Q drives, is composed of a 9-pin header block and 9-screw terminal plug (Figure 9 on page 20). Refer to Figure 12 on page 26 for connection diagram. To use the quick-disconnect terminal block:

1. Carefully pull terminal plug from header block.
2. With a small flat-head screwdriver, turn terminal plug screw counterclockwise to open wire clamp.
3. Insert stripped wire into the large opening in front of the plug.
4. Turn the terminal plug screw clockwise to clamp the wire.
5. Repeat steps 2–4 for each terminal until all connections are made. Make no connections to F1 and F2 if using a permanent magnet motor.
6. Insert plug into header until securely fastened.

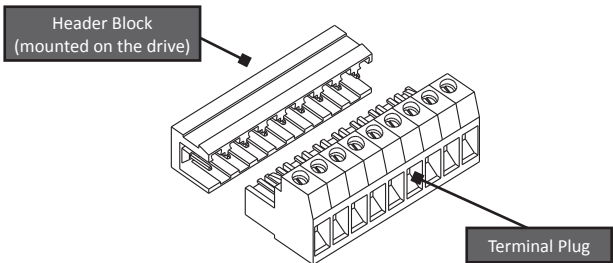


Figure 9. Quick-Disconnect Terminal Block

## Power Input

For chassis models, connect the AC line power leads to terminals L1 and L2. Minarik Drives recommends the use of a single-throw, double-pole master power switch. The switch should be rated at a minimum of 250 volts and 200% of motor current. Refer to Figure 11 on page 25.

For enclosed models, connect the AC line power leads to screw terminals 1 (L1) and 2 (L2 115) if using a 115 VAC line or to terminals 1 (L1) and 3 (L2 230) if using a 230 VAC line. Refer to Figure 13 on page 27.

## Motor

Drives supply motor armature voltage from A1 and A2 terminals. It is assumed throughout this manual that, when A1 is positive with respect to A2, the motor will rotate clockwise (CW) while looking at the output shaft protruding from the front of the motor. If the motor does not spin in the desired direction, remove power and reverse the A1 and A2 connections.

For chassis models, connect a DC motor to terminals A1 and A2 as shown in Figure 11 on page 25. For enclosed models, connect a DC motor to terminals 5 (A1) and 4 (A2) as shown in Figure 13 on page 27. Ensure that the motor voltage rating is consistent with the drive's output voltage.

## Field Output Connections



The field output is for shunt wound motors only. Do not make any connections to F1 and F2 when using a permanent magnet motor.

See Table 3 for field output connections. Use 14 - 16 AWG wire to connect the field output to a field / shunt wound motor.

Table 3. Field Output Connections

<i>Line Voltage (VAC)</i>	<i>Approximate Field Voltage (VDC)</i>	<i>Connect Motor Field To.. Chassis (Enclosure)</i>
115	50	F1 and L1 (Terminals 7 & 1)
115	100	F1 and F2 (Terminals 7 & 6)
230	100	F1 and L1 (Terminals 7 & 1)
230	200	F1 and F2 (Terminals 7 & 6)

### **Speed Adjust Potentiometer**

For chassis models, use a 10K ohm, 1/4 W potentiometer for speed control. Connect the counter-clockwise end of the potentiometer to S1, the wiper to S2, and the clockwise end to S3. If the potentiometer works inversely of the desired functionality (e.g. to increase motor speed you must turn the potentiometer counterclockwise), power off the drive and swap the S1 and S3 connections. Refer to Figure 11 on page 25.

For enclosed models, the speed adjust potentiometer is factory installed and prewired.

### **Meter (MM230x1C-H models only)**

To supply power to external devices, the METER header block can supply a non-isolated unregulated +9 VDC (5mA) signal when the motor and the power supply of the drive are fully loaded. More current is available with less motor loading. METER can supply an unregulated +15V (10 mA) signal in typical applications.

## Analog Input Signal

Instead of using a speed adjust potentiometer, the drive may be wired to follow an analog input voltage signal that is isolated from earth ground (Figure 10). Connect the signal common (–) to S1. Connect the signal reference (+) to S2. Make no connection to S3. A potentiometer can be used to scale the analog input voltage. An interface device, such as Minarik Drives model PCM4, may be used to scale and isolate an analog input voltage.

With 115 VAC line voltage, an analog input voltage range of 0–1.4 VDC is required to produce an armature voltage range of 0–90 VDC. With 230 VAC line voltage, an analog input voltage range of 0–2.8 VDC is required to produce an armature voltage range of 0–180 VDC.

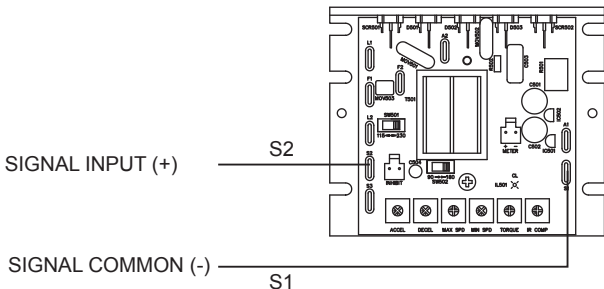


Figure 10. Analog Input Signal Connections



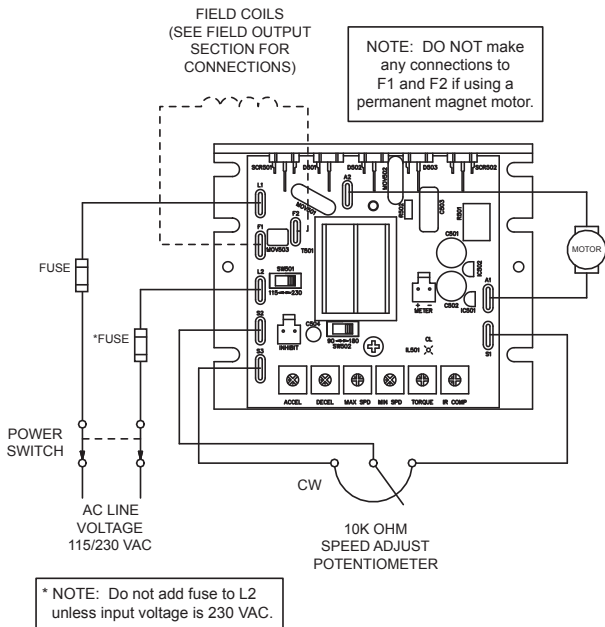


Figure 11. Chassis Drive Connections

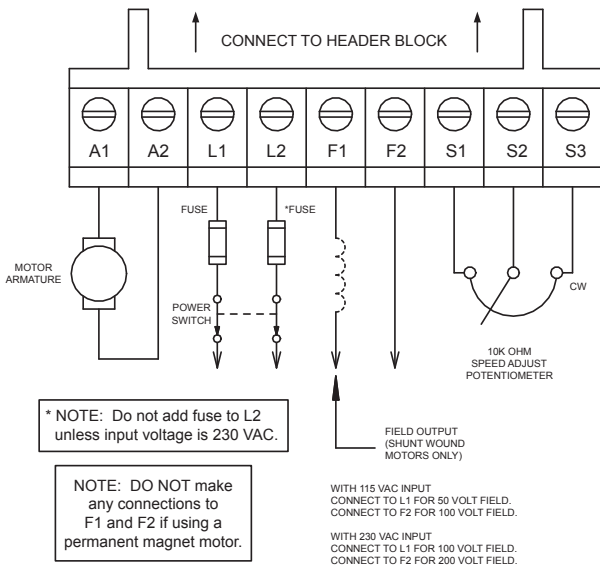


Figure 12. MM23001C-Q and MM23011C-Q Connections

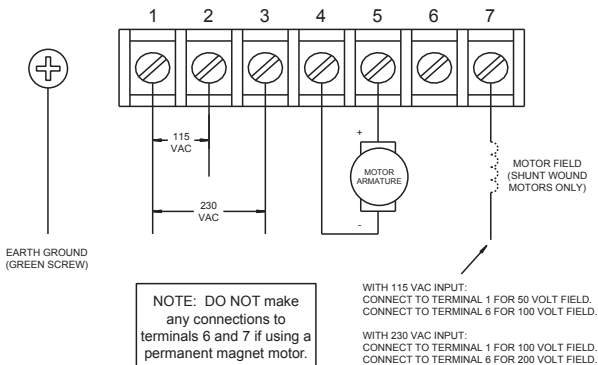


Figure 13. Cased Drive Connections

## Section 4. Operation

---



Change voltage switch settings only when the drive is disconnected from AC line voltage. Make sure both switches are set to their correct position. If the switches are improperly set to a lower voltage position, the motor will not run at full voltage and may cause damage to the transformer. If the switches are improperly set to a higher voltage position, the motor will overspeed, which may cause motor damage, or result in bodily injury or loss of life.

Dangerous voltages exist on the drive when it is powered. BE ALERT. High voltages can cause serious or fatal injury. For your safety, use personal protective equipment (PPE) when operating this drive.

If the motor or drive does not perform as described, disconnect the AC line voltage immediately. Refer to the Troubleshooting section, page 52, for further assistance.

### Before Applying Power

1. Verify that no foreign conductive material is present on the printed circuit board.
2. Ensure that all switches and jumpers are properly set.

## Select Switches

### Input Voltage Select (SW501)

Set the input voltage select switch SW501 to either 115 or 230 to match the AC line voltage. See Figure 14.

### Armature Voltage Select (SW502)

Set the armature voltage select switch SW502 to either 90 or 180 to match the maximum armature voltage. See Figure 14.

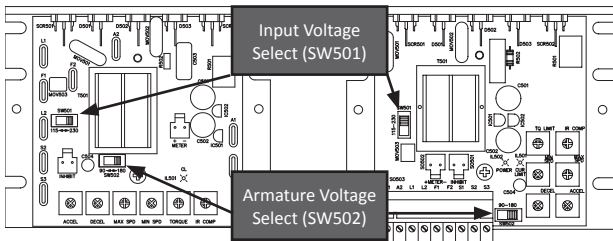


Figure 14. Select Switches

### Startup

#### **MM23001C, MM23001C-Q, MM23011C, and MM23011C-Q**

1. Turn the speed adjust potentiometer full counterclockwise (CCW) or set the input voltage signal to minimum.
2. Apply AC line voltage.
3. Slowly advance the speed adjust potentiometer clockwise (CW) or increase the input voltage signal. The motor slowly accelerates as the potentiometer is turned CW or as the input voltage signal is increased. Continue until the desired speed is reached.
4. Remove AC line voltage from the drive to coast the motor to a stop.

#### **MM23101C, MM23111C, MM23401C, and MM23411C**

1. Turn the speed adjust potentiometer to "0" (full CCW) or set the input voltage signal to minimum.
2. Set the POWER switch to the ON position.
3. Slowly advance the speed adjust potentiometer clockwise (CW) or increase the input voltage signal. The motor slowly accelerates as the potentiometer is turned CW or as the input voltage signal is increased. Continue until the desired speed is reached.
4. Set the POWER switch to the OFF position to coast the motor to a stop.

## MM23201C and MM23211C



Do not change the FORWARD / REVERSE switch while the motor is running. The motor must come to a complete stop before reversing. Changing motor direction before allowing the motor to completely stop will cause excessively high current to flow in the armature circuit, and will damage the drive and/or motor.

1. Set the RUN/BRAKE switch to the BRAKE position.
2. Turn the speed adjust potentiometer to “0” (full CCW) or set the input voltage signal to minimum.
3. Set the POWER switch to the ON position.
4. Set the FORWARD/REVERSE switch to the desired direction of rotation.
5. Set the RUN/BRAKE switch to the RUN position.
6. Slowly advance the speed adjust potentiometer clockwise (CW) or increase the input voltage signal. The motor slowly accelerates as the potentiometer is turned CW or as the input voltage signal is increased. Continue until the desired speed is reached.
7. To reverse direction:
  - a. Set the RUN/BRAKE switch to the BRAKE position.
  - b. **Wait for the motor to come to a complete stop.**
  - c. Set the FORWARD/REVERSE switch to the desired direction of rotation.
  - d. Set the RUN/BRAKE switch to the RUN position.
8. To brake the motor, set the RUN/BRAKE switch to the BRAKE position. To coast the motor to a stop, set the POWER switch to the OFF position.

### Starting and Stopping Methods



Dynamic braking, coasting to a stop, or decelerating to minimum speed is recommended for frequent starts and stops. Do not use any of these methods for emergency stopping. They may not stop a drive that is malfunctioning. Removing AC line power (both lines) is the only acceptable method for emergency stopping.

For this reason, Minarik Drives strongly recommends installing an emergency stop switch on both AC line inputs (see Figure 11 on page 25).

Frequent starting and stopping can produce high torque. This may cause damage to motors, especially gearmotors that are not properly sized for the application.

### Automatic Restart Upon Power Restoration

All drives automatically run to set speed when power is applied and the inhibit is not active.

### Line Starting and Stopping

Line starting and stopping (applying and removing AC line voltage) is recommended for infrequent starting and stopping of a drive only. When AC line voltage is applied to the drive, the motor accelerates to the speed set by the speed adjust potentiometer or analog signal. When AC line voltage is removed, the motor coasts to a stop.



## Dynamic Braking



Wait for the motor to completely stop before switching back to RUN. This will prevent high armature currents from damaging the motor or drive.

Dynamic braking may be used to rapidly stop a motor (Figure 15 on page 34). For the RUN/BRAKE switch, use a two pole, two position switch rated for at least the armature voltage rating and 150% of the armature current rating. For the dynamic brake resistor, use a 40 watt minimum, high power, wirewound resistor.

Sizing the dynamic brake resistor depends on load inertia, motor voltage, and braking time. Use a lower-value, higher-wattage dynamic brake resistor to stop a motor more rapidly. Refer to Table 4 on page 34 for recommended dynamic brake resistor sizes.

**Note: Models MM23201C and MM23211C incorporate dynamic braking in their designs.**

Table 4. Minimum Recommended Dynamic Brake Resistor Values

<i>Motor Armature Voltage</i>	<i>Dynamic Brake Resistor Value</i>
90 VDC	15 ohms
180 VDC	30 ohms

For motors rated 1/17 horsepower and lower, a brake resistor is not necessary since the armature resistance is high enough to stop the motor without demagnetization. Replace the dynamic brake with 12-gauge wire.

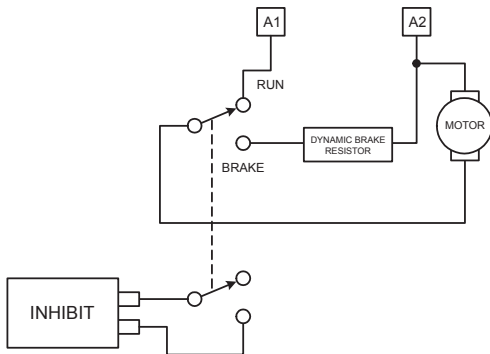


Figure 15. Dynamic Brake Wiring

## Inhibit Terminals

Short the INHIBIT terminals to coast the motor to minimum speed (see Figure 16 for INHIBIT terminal location). Open the INHIBIT terminals to accelerate the motor to set speed.

Twist inhibit wires and separate them from power-carrying wires or sources of electrical noise. Use shielded cable if the inhibit wires are longer than 18 inches (46 cm). If shielded cable is used, ground only one end of the shield to earth ground. Do not ground both ends of the shield.

Minarik Drives offers two accessory plug harnesses for connecting to the INHIBIT terminals: part number 201-0024 [plug with 18 in. (46 cm) leads]; and part number 201-0079 [plug with 36 in. (91 cm) leads].

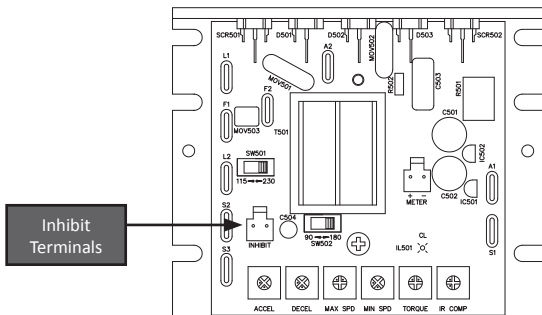


Figure 16. Inhibit Terminals

## Decelerating to Minimum Speed

The switch shown in Figure 17 may be used to decelerate a motor to a minimum speed. Closing the switch between S1 and S2 decelerates the motor from set speed to a minimum speed determined by the MIN SPD trim pot setting. If the MIN SPD trim pot is set full CCW, the motor decelerates to zero speed when the switch between S1 and S2 is closed. The DECEL trim pot setting determines the rate at which the drive decelerates. By opening the switch, the motor accelerates to set speed at a rate determined by the ACCEL trim pot setting.

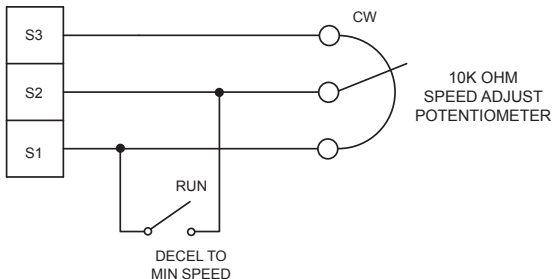


Figure 17. Run/Decelerate to Minimum Speed Switch

## Section 5. Calibration

---



Dangerous voltages exist on the drive when it is powered. When possible, disconnect the voltage input from the drive before adjusting the trim pots. If the trim pots must be adjusted with power applied, use insulated tools and the appropriate personal protection equipment. **BE ALERT.** High voltages can cause serious or fatal injury.

MM23xx1C series drives have user-adjustable trim pots. Each drive is factory calibrated to its maximum current rating. Readjust the calibration trim pot settings to accommodate lower current rated motors.

All adjustments increase with CW rotation, and decrease with CCW rotation. Use a non-metallic screwdriver for calibration. Each trim pot is identified on the printed circuit board.

### Minimum Speed (MIN SPD)

The MIN SPD setting determines the minimum motor speed when the speed adjust potentiometer or input voltage signal is set for minimum speed. It is factory set for zero speed.

To calibrate the MIN SPD:

1. Set the MIN SPD trim pot full CCW.
2. Set the speed adjust potentiometer or input voltage signal for minimum speed.
3. Adjust MIN SPD until the desired minimum speed is reached or is just at the threshold of rotation.

### Maximum Speed (MAX SPD)

The MAX SPD setting determines the maximum motor speed when the speed adjust potentiometer or input voltage signal is set for maximum speed.

To calibrate MAX SPD:

1. Set the MAX SPD trim pot full CCW.
2. Set the speed adjust potentiometer or input voltage signal for maximum speed.
3. Adjust MAX SPD until the desired maximum speed is reached.

**Note:** Check the MIN SPD and MAX SPD adjustments after recalibrating to verify that the motor runs at the desired minimum and maximum speed.

## Torque (TORQUE)



TORQUE should be set to 150% of motor nameplate current rating. Continuous operation beyond this rating may damage the motor. If you intend to operate beyond the rating, contact your Minarik Drives representative for assistance.

The TORQUE setting determines the maximum torque for accelerating and driving the motor. To calibrate TORQUE, refer to the recommended TORQUE settings in Figure 18 on page 41 or use the following procedure:

1. With the power disconnected from the drive, connect a DC ammeter in series with the armature.
2. Set the TORQUE trim pot to minimum (full CCW).
3. Set the speed adjust potentiometer full CW or input voltage signal to maximum speed.
4. Carefully lock the motor armature. Be sure that the motor is firmly mounted.
5. Apply line power. The motor should be stopped.
6. Slowly adjust the TORQUE trim pot CW until the armature current is 150% of motor rated armature current.
7. Turn the speed adjust potentiometer CCW or decrease the input voltage signal.
8. Remove line power.
9. Remove the stall from the motor.
10. Remove the ammeter in series with the motor armature if it is no longer needed.

### IR Compensation (IR COMP)

The IR COMP setting determines the degree to which motor speed is held constant as the motor load changes.









Use the following procedure to recalibrate the IR COMP setting:

1. Set the IR COMP trim pot to minimum (full CCW).
2. Increase the speed adjust potentiometer or input voltage signal until the motor runs at midspeed without load (for example, 900 RPM for an 1800 RPM motor). A handheld tachometer may be used to measure motor speed.
3. Load the motor armature to its full load armature current rating. The motor should slow down.
4. While keeping the load on the motor, rotate the IR COMP trim pot until the motor runs at the speed measured in step 2. If the motor oscillates (overcompensation), the IR COMP trim pot may be set too high (CW). Turn the IR COMP trim pot CCW to stabilize the motor.
5. Unload the motor.

See Figure 18 on page 41 for recommended IR COMP settings.



## MODELS MM23011C, MM23011C-Q, MM23111C, MM23211C, MM23411C

		1/8 HP 90 VDC 1.25 AMPS			1/4 HP 180 VDC 1.25 AMPS
TORQUE	IR COMP		TORQUE	IR COMP	
		1/20 HP 90 VDC 0.50 AMPS			1/10 HP 180 VDC 0.50 AMPS
TORQUE	IR COMP		TORQUE	IR COMP	

## MODELS MM23001C, MM23001C-Q, MM23101C, MM23201C, MM23401C





















		1 HP 90 VDC 10.0 AMPS			2 HP 180 VDC 10.0 AMPS
TORQUE	IR COMP		TORQUE	IR COMP	
		3/4 HP 90 VDC 7.50 AMPS			1 1/2 HP 180 VDC 7.50 AMPS
TORQUE	IR COMP		TORQUE	IR COMP	
		1/2 HP 90 VDC 5.00 AMPS			1 HP 180 VDC 5.00 AMPS
TORQUE	IR COMP		TORQUE	IR COMP	
		1/3 HP 90 VDC 3.33 AMPS			3/4 HP 180 VDC 3.75 AMPS
TORQUE	IR COMP		TORQUE	IR COMP	
		1/4 HP 90 VDC 2.50 AMPS			1/2 HP 180 VDC 2.50 AMPS
TORQUE	IR COMP		TORQUE	IR COMP	

Figure 18. Recommended TORQUE and IR COMP Settings  
(actual settings may vary with each application)

### Acceleration (ACCEL)

The ACCEL setting determines the time the motor takes to ramp to a higher speed. See Specifications on page 1 for approximate acceleration times. ACCEL is factory set for the shortest acceleration time (full CCW).

To set the acceleration time:

1. Set the speed adjust potentiometer or input voltage signal for minimum speed. The motor should run at minimum speed.
2. Set the speed adjust potentiometer or input voltage signal for maximum speed. Measure the time it takes the motor to go from minimum to maximum speed.
3. If the time measured in step 2 is not the desired acceleration time, turn the ACCEL trim pot CW for a longer acceleration time or CCW for a shorter acceleration time. Repeat steps 1 through 2 until the acceleration time is correct.

### Deceleration (DECEL)

The DECEL setting determines the time the motor takes to ramp to a lower speed. See Specifications on page 1 for approximate deceleration times. DECEL is factory set for the shortest deceleration time (full CCW).

To set the deceleration time:

1. Set the speed adjust potentiometer or input voltage signal for maximum speed. The motor should run at maximum speed.
2. Set the speed adjust potentiometer or input voltage signal for minimum speed. Measure the time it takes the motor to go from maximum to minimum speed.
3. If the time measured in step 2 is not the desired deceleration time, turn the DECEL trim pot CW for a longer deceleration time or CCW for a shorter deceleration time. Repeat steps 1 through 2 until the deceleration time is correct.

## Section 6. Application Notes

### Multiple Fixed Speeds

Replace the speed adjust potentiometer with a series of resistors with a total series resistance of 10K ohms (Figure 19). Add a single pole, multi-position switch with the correct number of positions for the desired number of fixed speeds.

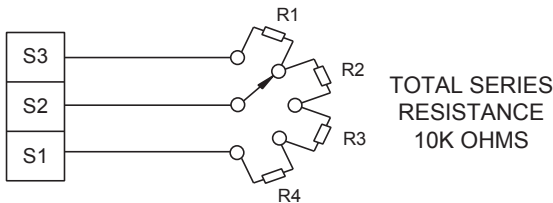


Figure 19. Multiple Fixed Speeds

## Adjustable Speeds Using Potentiometers In Series

Replace the speed adjust potentiometer with a series of resistors with a total series resistance of 10K ohms (Figure 20). Add a single pole, multi-position switch with the correct number of positions for the desired number of fixed speeds.

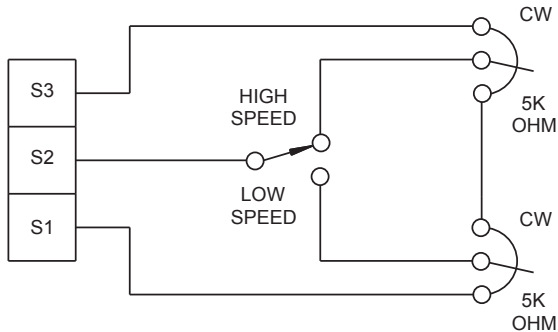


Figure 20. Adjustable Speeds Using Potentiometers In Series

## Independent Adjustable Speeds

Replace the speed adjust potentiometer with a single pole, multi-position switch, and two or more potentiometers in parallel, with a total parallel resistance of 10K ohms. Figure 21 shows the connection of two independent speed adjust potentiometers that can be mounted at two separate operating stations.

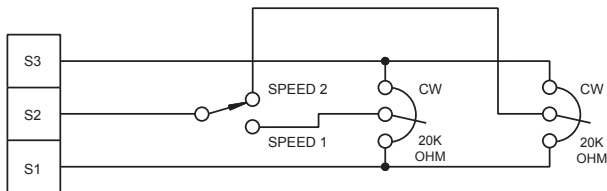


Figure 21. Independent Adjustable Speeds

## RUN/JOG Switch - Inhibit Connection

Using a RUN/JOG switch is recommended in applications where quick stopping is not needed and frequent jogging is required. Use a single pole, two position switch for the RUN/JOG switch, and a single pole, normally closed, momentary operated pushbutton for the JOG pushbutton.

Connect the RUN/JOG switch and JOG pushbutton to the inhibit plug as shown in Figure 22. The motor coasts to a stop when the RUN/JOG switch is set to JOG. Press the JOG pushbutton to jog the motor. Return the RUN/JOG switch to RUN for normal operation.

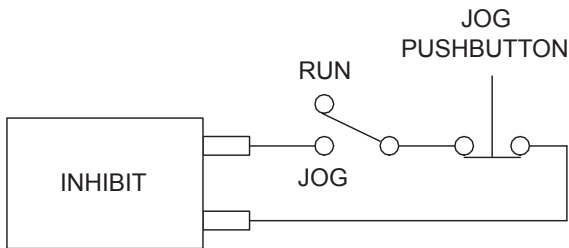


Figure 22. RUN/JOG Switch - Inhibit Connection

## RUN/JOG Switch - Potentiometer Connection

Connect the RUN/JOG switch and the JOG pushbutton as shown in Figure 23. When the RUN/JOG switch is set to JOG, the motor decelerates to minimum speed (minimum speed is determined by the MIN SPD trim pot setting). Press the JOG pushbutton to jog the motor. Return the RUN/JOG switch to RUN for normal operation.

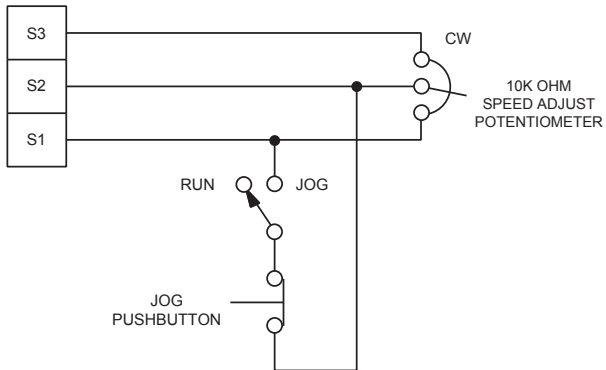


Figure 23. RUN/JOG Switch - Potentiometer Connection

## Leader-Follower Application

In this application, use a PCM4 to monitor the speed of the leader motor (Figure 24). The PCM4 isolates the leader motor from the follower drive, and outputs a voltage proportional to the leader motor armature voltage. The follower drive uses this voltage reference to set the speed of the follower motor. An optional ratio potentiometer may be used to scale the PCM4 output voltage.

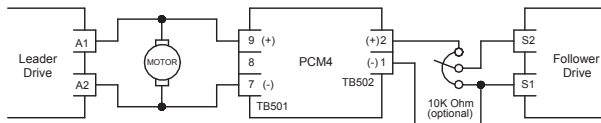


Figure 24. Leader-Follower Application



## Single Speed Potentiometer Control Of Multiple Drives

Multiple drives can be controlled with a single speed adjust potentiometer using a USIM-8 at the input of each drive to provide isolation (Figure 25). Optional ratio potentiometers can be used to scale the USIM-8 output voltage, allowing independent control of each drive.

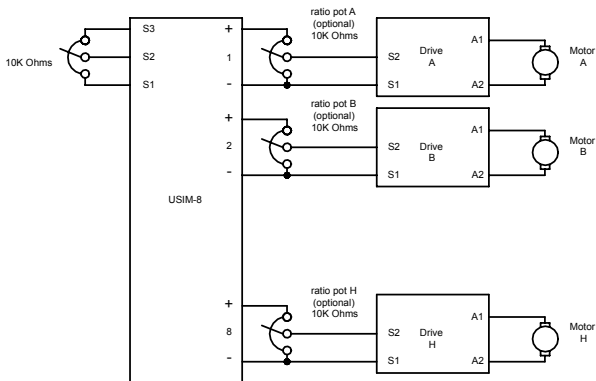


Figure 25. Single Speed Potentiometer Control of Multiple Drives

## Reversing

A dynamic brake may be used when reversing the motor direction (Figure 26). Use a three pole, three position switch rated for at least the maximum DC armature voltage and maximum braking current. Wait for the motor to stop completely before switching it to either the forward or reverse direction. See the Dynamic braking section on page 34 for recommended dynamic brake resistor sizes.

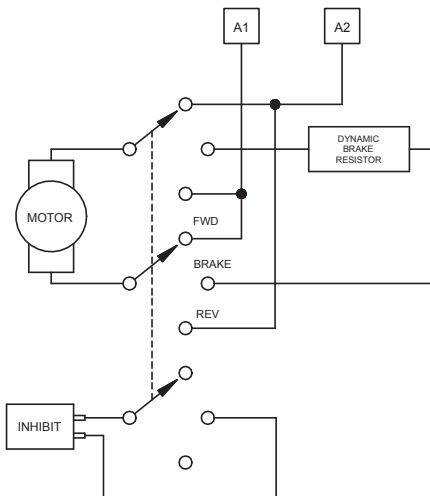


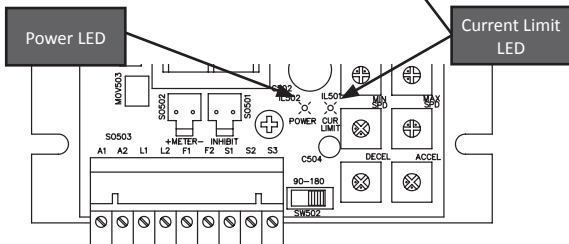
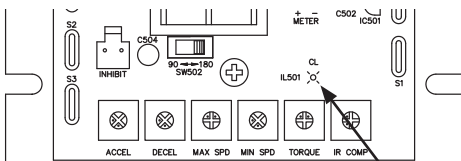
Figure 26. Reversing Circuit Wiring

## Section 7. Diagnostic LEDs

MM23xx1C series drives are equipped with one or two diagnostic LEDs:

- Current Limit (CL or CUR LIMIT): Red LED lights whenever the drive reaches current limit.
- Power (POWER): Green LED lights whenever AC line voltage is applied to the drive. (-Q models only)

MM23xx1C models



MM230x1C-Q models

Figure 27. Diagnostic LED Locations

### Section 8. Troubleshooting

---



Dangerous voltages exist on the drive when it is powered. When possible, disconnect the drive while troubleshooting. High voltages can cause serious or fatal injury.

#### Before Troubleshooting

Perform the following steps before starting any procedure in this section:

1. Disconnect AC line voltage from the drive.
2. Check the drive closely for damaged components.
3. Check that no conductive or other foreign material has become lodged on the printed circuit board.
4. Verify that every connection is correct and in good condition.
5. Verify that there are no short circuits or grounded connections.
6. Check that the selection switch settings are correctly set.
7. Check that the drive's rated armature is consistent with the motor ratings.

For additional assistance, contact your local Minarik Drives distributor or the factory direct:

(800) MINARIK or FAX: (800) 394-6334

PROBLEM	POSSIBLE CAUSE	SUGGESTED SOLUTIONS
<b>Line fuse blows.</b>	1. Line fuse is the wrong size.	1. Check that the line fuse is correct for the motor size.
	2. Motor cable or armature is shorted to ground.	2. Check motor cable and armature for shorts.
	3. Nuisance tripping caused by a combination of ambient conditions and high-current spikes (i.e. reversing).	3. Add a blower to cool the drive components, decrease TORQUE settings, resize motor and drive for actual load demand, or check for incorrectly aligned mechanical components or "jams". See page 38 for information on adjusting the TORQUE trim pot.
<b>Line fuse does not blow, but the motor does not run.</b>	1. Speed adjust potentiometer or input voltage signal is set to zero speed.	1. Increase the speed adjust potentiometer setting or input voltage signal.
	2. INHIBIT mode is active.	2. Remove the short from the INHIBIT terminals or add a short to INHIBIT terminals if INHIBIT mode is set to INVERTED.
	3. S2 is shorted to S1.	3. Remove the short.
	4. Drive is in current limit.	4. Verify that the motor is not jammed. Increase TORQUE setting if set too low.
	5. Drive is not receiving AC line voltage.	5. Apply AC line voltage.
	6. Motor is not connected.	6. Remove power. Connect the motor to A1 and A2. Reapply power.

PROBLEM	POSSIBLE CAUSE	SUGGESTED SOLUTIONS
<b>Motor does not stop when the speed adjust potentiometer is full CCW.</b>	1. MIN SPD is set too high.	1. Calibrate MIN SPD.
<b>Motor runs in the opposite direction</b>	1. Motor connections to A1 and A2 are reversed.	1. Remove power. Reverse connections to A1 and A2. Reapply power.
<b>Motor runs too fast.</b>	1. MAX SPD is set too high.	1. Calibrate MAX SPD.
<b>Motor will not reach the desired speed.</b>	1. MAX SPD setting is too low.	1. Increase MAX SPD setting.
	2. IR COMP setting is too low.	2. Increase IR COMP setting.
	3. TORQUE setting is too low.	3. Increase TORQUE setting.
	4. Motor is overloaded.	4. Check motor load. Resize the motor and drive if necessary.
<b>Motor pulsates or surges under load.</b>	1. IR COMP is set too high.	1. Adjust the IR COMP setting slightly CCW until the motor speed stabilizes.
	2. Motor bouncing in and out of current limit.	2. Make sure motor is not undersized for load; adjust TORQUE trim pot CW.

## Section 9. Block Diagrams

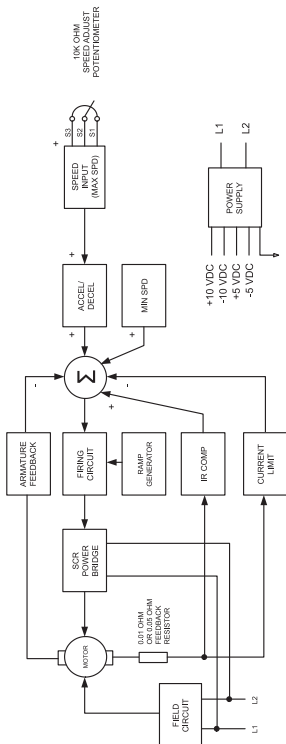


Figure 28. MM23xx1C Series Block Diagram

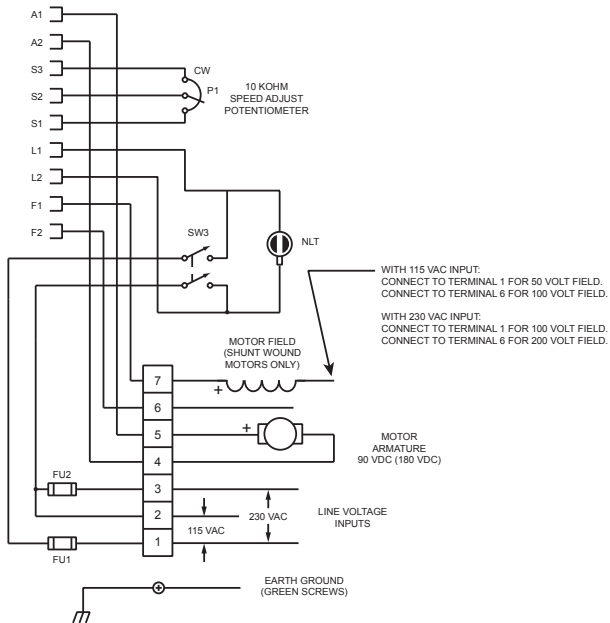


Figure 29. MM23101C, MM23111C, MM23401C, and MM23411C  
Terminal Block Connections



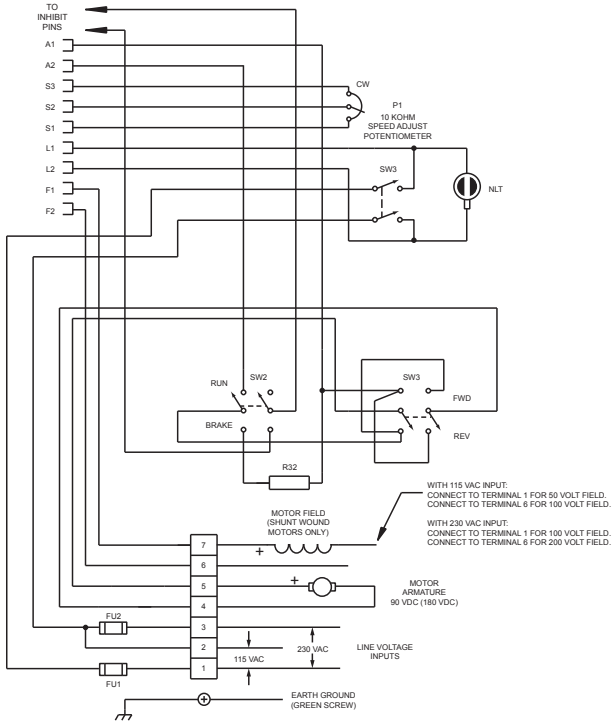


Figure 30. MM23201C and MM23211C Terminal Block Connections

## Section 10. Accessories & Replacement Parts

### Displays

Closed Loop.....	DLC600
Open Loop.....	VT-8

### Heat Sinks

Chassis .....	223-0159
NEMA 1 .....	223-0174

### Kits

#### Potentiometer & Connector

Pot Kit .....	202-0031
---------------	----------

#### Fuse

1.5 - 5 Amp Fuse Kit.....	050-0066
1 - 8 Amp Fuse Kit with Pico Fuse.....	050-0068
3 - 8 Amp Fuse Kit with Pico Fuse.....	050-0069
5 - 15 Amp Fuse Kit.....	050-0071

#### Wiring

Inhibit Plug (18 in. leads).....	201-0024
Inhibit Plug (36 in. leads).....	201-0079

### Logic Cards

#### Current Sensing

5 Amps.....	CSC1-5
20 amps .....	CSC1-20

#### Isolation Cards

Unidirectional, 8 outputs.....	USIM-8
Bidirectional, 1 output.....	PCM4

## Unconditional Warranty

---

### A. Warranty

American Control Electronics warrants that its products will be free from defects in workmanship and material for twelve (12) months or 3000 hours, whichever comes first, from date of manufacture thereof. Within this warranty period, American Control Electronics will repair or replace, at its sole discretion, such products that are returned to American Control Electronics, 14300 De La Tour Drive, South Beloit, Illinois 61080 USA.

This warranty applies only to standard catalog products, and does not apply to specials. Any returns of special controls will be evaluated on a case-by-case basis. American Control Electronics is not responsible for removal, installation, or any other incidental expenses incurred in shipping the product to and from the repair point.

### B. Disclaimer

The provisions of Paragraph A are American Control Electronics's sole obligation and exclude all other warranties of merchantability for use, expressed or implied. American Control Electronics further disclaims any responsibility whatsoever to the customer or to any other person for injury to the person or damage or loss of property of value caused by any product that has been subject to misuse, negligence, or accident, or misapplied or modified by unauthorized persons or improperly installed.

### C. Limitations of Liability

In the event of any claim for breach of any of American Control Electronics's obligations, whether expressed or implied, and particularly of any other claim or breach of warranty contained in Paragraph A, or of any other warranties, expressed or implied, or claim of liability that might, despite Paragraph B, be decided against American Control Electronics by lawful authority, American Control Electronics shall under no circumstances be liable for any consequential damages, losses, or expenses arising in connection with the use of, or inability to use, American Control Electronics's product for any purpose whatsoever.

An adjustment made under warranty does not void the warranty, nor does it imply an extension of the original 12-month warranty period. Products serviced and/or parts replaced on a no-charge basis during the warranty period carry the unexpired portion of the original warranty only.

If for any reason any of the foregoing provisions shall be ineffective, American Control Electronics's liability for damages arising out of its manufacture or sale of equipment, or use thereof, whether such liability is based on warranty, contract, negligence, strict liability in tort, or otherwise, shall not in any event exceed the full purchase price of such equipment.

Any action against American Control Electronics based upon any liability or obligation arising hereunder or under any law applicable to the sale of equipment or the use thereof, must be commenced within one year after the cause of such action arises.



MM23001C



MM23001C-Q



MM23011C



MM23011C-Q



MM23101C



MM23111C



MM23201C



MM23211C



MM23401C



MM23411C



An American Control Electronics Brand

[www.minarikdrives.com](http://www.minarikdrives.com)  
14300 DE LA TOUR DRIVE  
SOUTH BELOIT, IL 61080  
(800) MINARIK

250-0091 Rev 10