

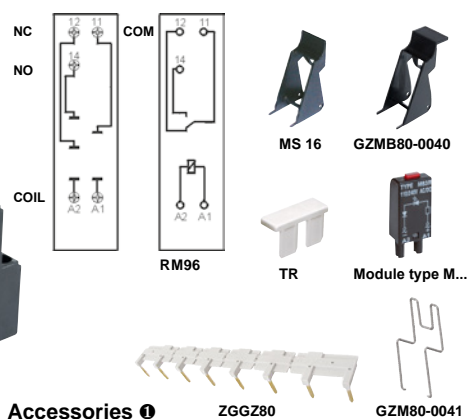
ES 32

For RM96 1 CO

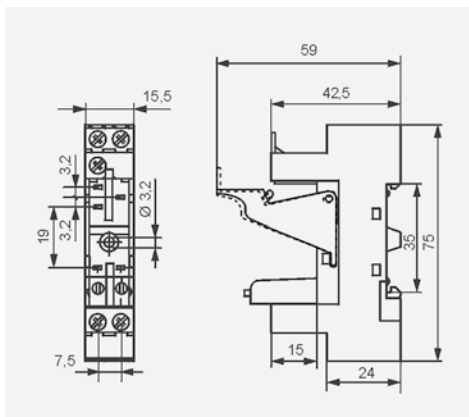
Screw terminals
 Max. tightening moment for the terminal: 0,5 Nm
 35 mm rail mount acc. to EN 60715
 or on panel mounting
 75 x 15,5 x 42,5(59) mm ②
 One pole, 3,2 mm pinout
 12 A, 300 V AC



Connection diagrams



Dimensions



Accessories ①

ZGGZ80 GZM80-0041

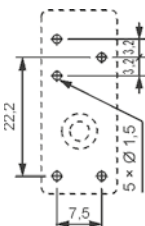
EC 32

For PCB

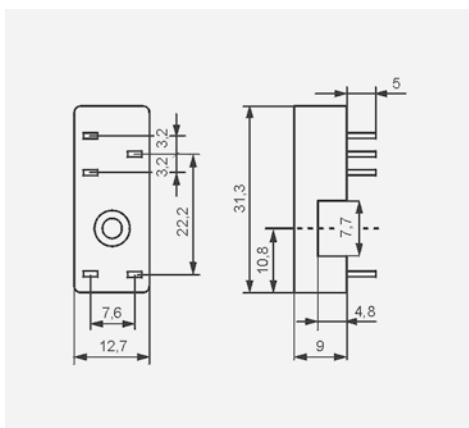
31 x 12,7 x 9 mm
 One pole, 3,2 mm pinout
 12 A, 300 V AC



Pinout



Dimensions



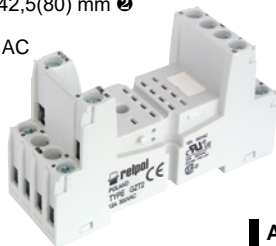
Accessories



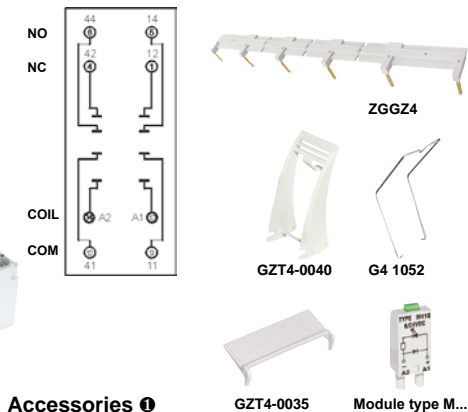
GZT2

For R2N

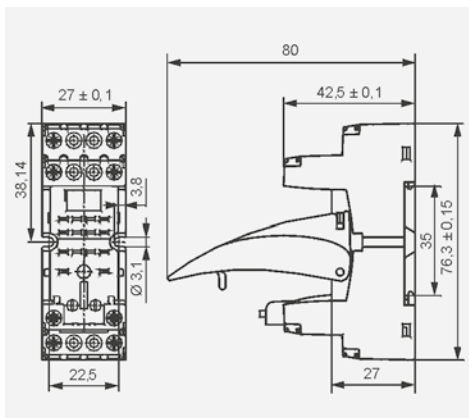
Screw terminals
 Max. tightening moment for the terminal: 0,7 Nm
 35 mm rail mount acc. to EN 60715
 or on panel mounting
 76,3 x 27 x 42,5(80) mm ②
 Two poles
 12 A, 300 V AC



Connection diagram



Dimensions

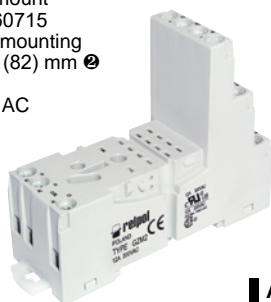


Accessories ①

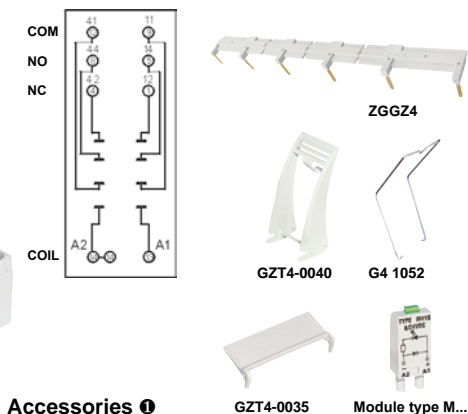
GZM2

For R2N

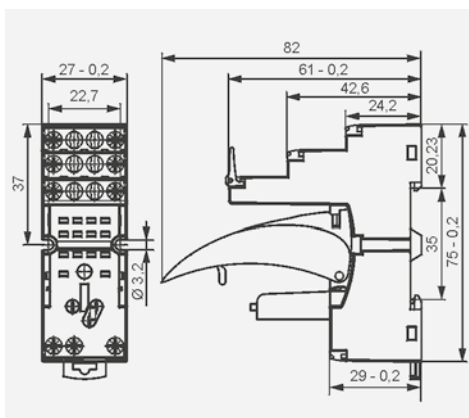
Screw terminals
 Max. tightening moment for the terminal: 0,7 Nm
 35 mm rail mount acc. to EN 60715
 or on panel mounting
 75 x 27 x 61(82) mm ②
 Two poles
 12 A, 300 V AC



Connection diagram



Dimensions



Accessories ①

① Mounting and sub-assemblies of accessories in the socket - see page 375. Signalling / protecting modules type M... - see page 376.
 ② In the bracket the height of socket with retainer / retractor clip is shown.