

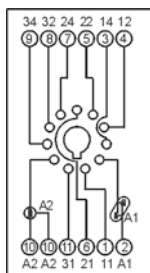
**GZP11**

For R15 - 3 CO

Screw terminals  
 Max. tightening moment for the terminal: 0,5 Nm  
 35 mm rail mount  
 acc. to EN 60715  
 or on panel mounting  
 73 x 38,2 x 27,2 mm  
 Three poles  
 12 A, 300 V AC



**Connection diagram**



Time module COM3



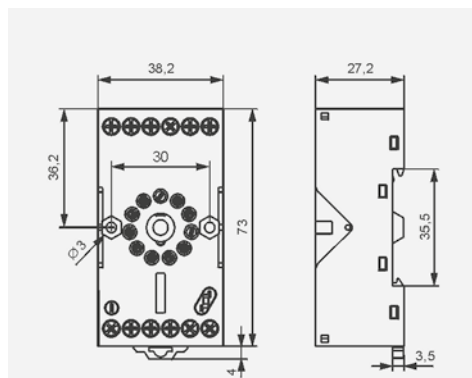
GZP-0054



GZP-0035

**Accessories**

**Dimensions**



**GOP11**

For R15 - 3 CO

Solder terminals  
 47,2 x 32 x 22 mm  
 Three poles  
 10 A, 250 V AC

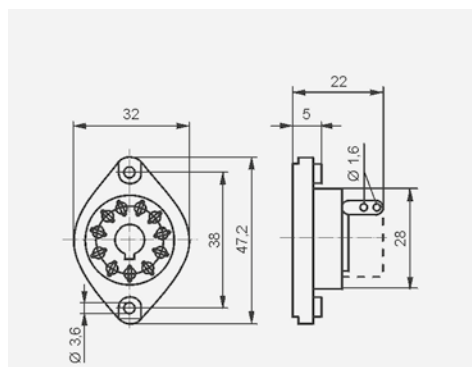


**Accessories**



R159 1051

**Dimensions**



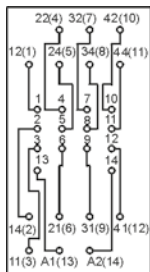
**GZ14U**

For R15 - 4 CO

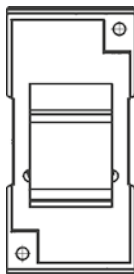
Screw terminals  
 Max. tightening moment for the terminal: 0,7 Nm  
 35 mm rail mount  
 acc. to EN 60715  
 96,8 x 46,4 x 33,3 mm  
 Four poles  
 10 A, 250 V AC



**Connection diagram**



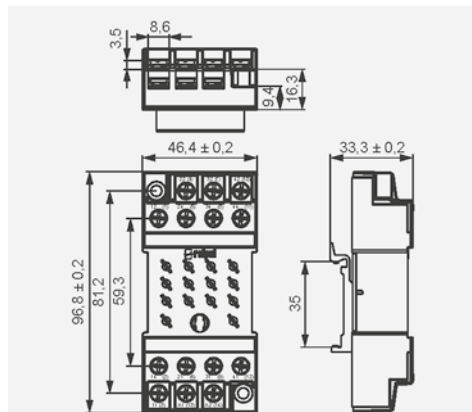
**Adaptor**



GZ14 0737

**Accessories**

**Dimensions**



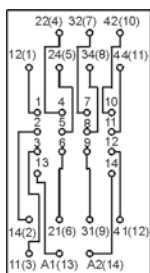
**GZ14**

For R15 - 4 CO

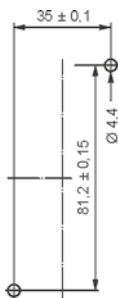
Screw terminals  
 Max. tightening moment for the terminal: 0,7 Nm  
 On panel mounting  
 96,8 x 46,4 x 24,5 mm  
 Four poles  
 10 A, 250 V AC



**Connection diagram**



**Mounting dimensions**



GZ14 0737

**Accessories**

**Dimensions**

