

# Hood&Housing



H



## Rectangular connector-Hoods/Housings Contents




Size	Type	Page
3A	Hoods/Housings(Plastic,Standard,EMC,Corrosion Resistance)	P15-06~P15-16.1
10A	Metal Hoods/Housings	P15-17~P15-18.1
16A	Metal Hoods/Housings	P15-19~P15-20
32A	Metal Hoods/Housings	P15-21~P15-24
6B	Hoods/Housings(Plastic,Metal,Corrosion Resistance )	P15-25~ P15-38.2
10B	Hoods/Housings(Plastic,Metal,suitable for harsh environment,Corrosion Resistance,Pressure Tight )	P15-39~P15-69
16B	Hoods/Housings(Plastic,Metal,suitable for harsh environment,EMC,Corrosion Resistance,Pressure Tight )	P15-70~P15-107.1
24B	Hoods/Housings(Plastic,Metal,suitable for harsh environment,Corrosion Resistance,Pressure Tight )	P15-108~P15-150
32B	Hoods/Housings(Metal,Pressure Tight )	P~P15-159
48B	Hoods/Housings(Metal,Pressure Tight )	P15-160~P15-162
HC	Metal Hoods/Housings	P15-163~P15-168
Thickned seal part	( H series BK housing)	P15-169~P15-170

## Levers for option

Identify	Main material	Description	Designation Example
	Stainless steel+TPR	high-strength locking, device with rubber cover, Suitable for harsh environment (anti-corrosion)	H24B-SF-1L/SC-M25
	PC+Stainless steel	removable locking device, suitable for general industrial environment	H24B-SF-1L/PSE-M25

## Rectangular connector-Hoods/Housings Contents

## the examples of products

	identify	The definition of Corrosion Class, on the basis of ISO12944	The neutral salt spray test ISO7253 /h	The examples of typical environments in temperate climates (for reference only)	models examples
	/480	C3 High	480	The urban and industrial atmospheres, moderate sulfur dioxide pollution, and low salinity coastal areas	W10B-TEH-4B-M32/480
	/720	C4 High	720	The industrial and coastal areas with moderate salinity	W10B-TEH-4B-M32/720
	/1440	C5 High	1440	The industrial areas with high humidity and harsh atmosphere and coastal areas with high salinity	W10B-TEH-4B-M32/1440

\*The metal casings such as the housing and the base of the connector can be corrosive to different degrees. The models in the table are only for the purpose of making the product model naming rules clearer for customers. More models are welcome to consult.

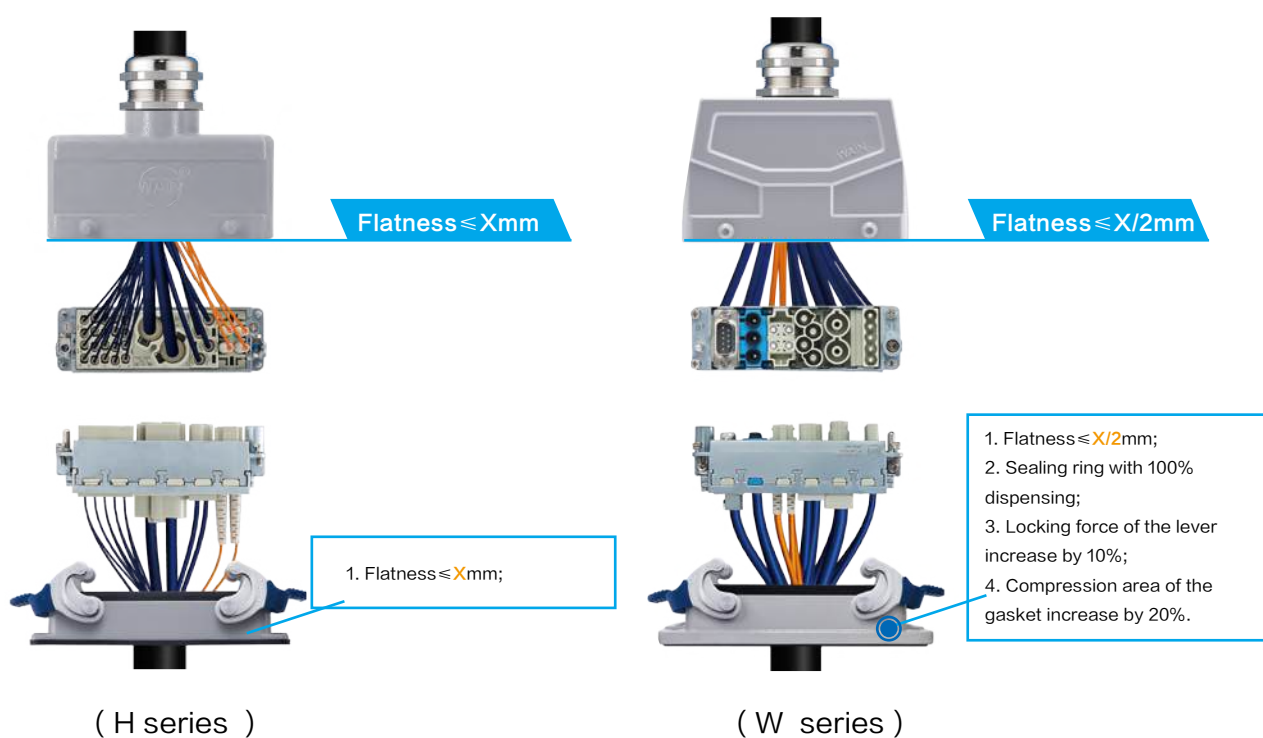
Dear customer:

Thank you very much for your continued trust in our products and your support for our company.

During the course of development, WAIN has always been trying to improve and enrich its products. To meet the customer's need for connectors between IP65 and IP68, we develop brand-new IP67 metal shells. Affected models include 6B、10B、16B、24B、32B、32A (3A、10A、16A and 48B are not included at present) . These new shells can endure harsher environments especially outdoor operating environments, such as tower crane infrastructure、road construction、construction vehicles、outdoor cabinets、mining machinery and so on.

IP67 shells are named W series products, their designations begin with the letter " W ", such as W6B、W10B、W16B、W24B、W32B、W32A. We redesign the appearance、seal flatness and manufacturing technique, while the size remains the same. W series products are compatible with H series products, as well as all standard inserts、modular frames、cable glands and so on.

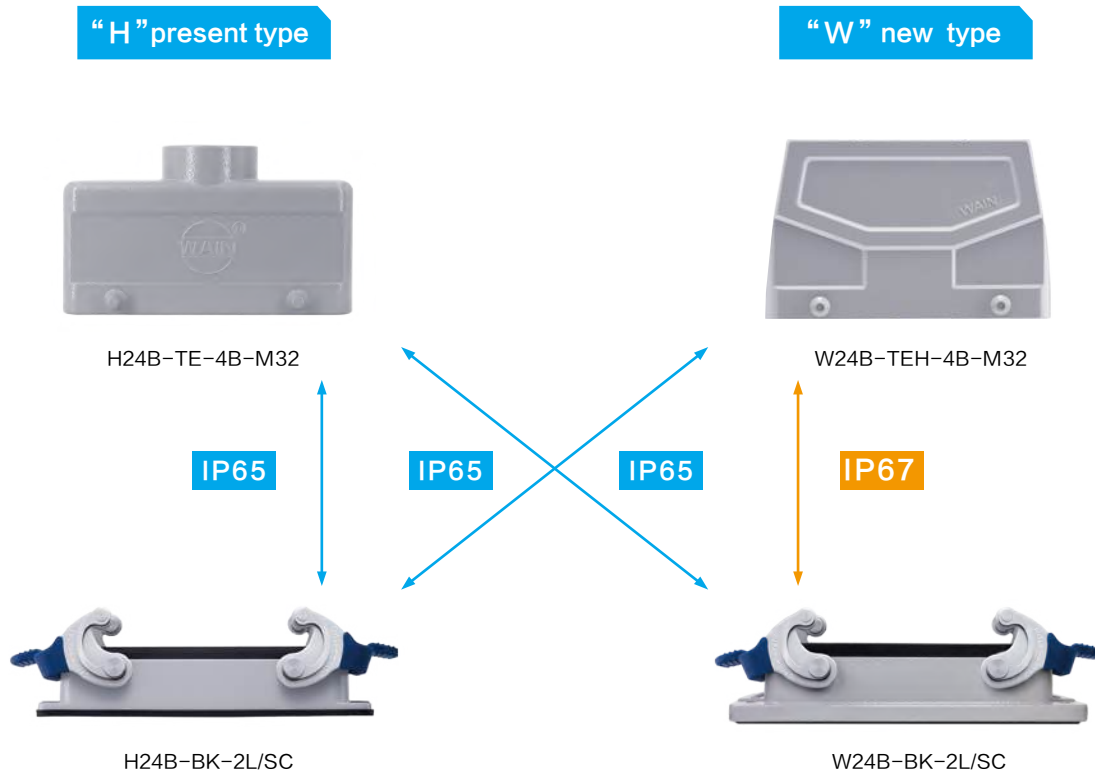
The differences between W series products and H series products (take 24B for example):



While promoting the W series products, the present H series products are also continued to be supplied, in other words we will supply IP65、IP67、IP68、IP69K products at the same time. ( For specific technical parameters of W series products, please kindly refer to our catalogue). Through redesigning these shells, we wish to demonstrate WAIN's innovative spirit and the ability of independent development. We appreciate your understanding and support in this matter, and we hope that you will like our redesigned shells. We will offer more products and innovations continuously.

Should you have any questions, please do not hesitate to contact us.

Illustration for IP65 or IP67 under different matches between W series shells and H series metal shells  
(take high construction hood+ bulkhead mounted housing for example)



\*For the definition and requirements of IP grade, please kindly refer to IEC 60529-2013

## Technical characteristics

Size 3A Plastic Hoods & Housings IP65	
Material	polycarbonate
Colour	light grey (RAL 7032) black (RAL 9005)
Locking element	
-Lever type	plastic elastic pressing
-Material	polyamide
Hoods/Housings seal	NBR
Limiting temperatures	-40...+125°C
Flammability acc. to UL 94	V0
Degree of protection acc.to DIN EN	
60 529 for coupled connector	IP65

Size 3A Metal Hoods & Housings IP65	
Material	zinc die-cast
Colour	grey
Locking element	
-Lever type	metal elastic pressing
-Material	metal galvanized/ nickel plating
Hoods/Housings seal	NBR
Limiting temperatures	-40...+125°C
Flammability acc. to UL 94	V0
Degree of protection acc.to DIN EN	
60 529 for coupled connector	IP65

3A Pressure tight Hoods & Housings IP68/IP69k	
Surface	Epoxy powder coating
Material	zinc die-cast
Colour	black or grey
Locking element	
-Lever type	screw locking
-Material	stainless steel
Hoods/Housings seal	NBR
Limiting temperatures	-40...+125°C
Flammability acc. to UL 94	V0
Degree of protection acc.to DIN EN	
60 529 for coupled connector	IP68/IP69K

EMC Electromagnetic Compatibility Hoods & Housings IP65	
Material	zinc die-cast(3A) aluminium die-cast(Type B)
Surface	electrical conductive
Locking element	
-Lever type	metal elastic pressing/screw locking
-Material	see15-02
Hoods/Housings seal	NBR
Limiting temperatures	-40...+125°C
Flammability acc. to UL 94	V0
Degree of protection acc.to DIN EN	
60 529 for coupled connector	H version IP65 / W version IP67

HC Metal Hoods & Housings IP65	
Surface	Epoxy powder coating/nickeling
Colour	zinc die-cast
Locking element	black/brushed nickel
Locking element	
-Lever type	metal elastic pressing
-Material	stainless steel
Hoods/Housings seal	NBR
Limiting temperatures	-40...+125°C
Flammability acc. to UL 94	V0
Degree of protection acc.to DIN EN	
60 529 for coupled connector	IP65

Plastic Hoods & Housings IP65	
Material	polyamide
Colour	RAL 9005 (black)
Locking element	
-Lever type	plastic elastic pressing
-Material	polyamide
Hoods/Housings seal	NBR
Limiting temperatures	-40...+125°C
Flammability acc. to UL 94	V0
Degree of protection acc.to DIN EN	
60 529 for coupled connector	IP65

Metal Hoods & Housings IP65	
Material	aluminium die-cast
Colour	grey
Locking element	
-Lever type	metal elastic pressing
-Material	see P15-02
Hoods/Housings seal	NBR
Limiting temperatures	-40...+125°C
Flammability acc. to UL 94	V0
Degree of protection acc.to DIN EN	
60 529 for coupled connector	H version IP65 / W version IP67

Hoods/Housings for higher environmental requirements IP65	
Material	zinc die-cast(3A), aluminium die-cast,
Colour	RAL 9005 (black)
Surface- Top coat	epoxy powder paint
Locking element	
-Lever type	metal elastic pressing
-Material	stainless steel
Hoods/Housings seal	FPM
Limiting temperatures	-40...+125°C
Flammability acc. to UL 94	V0
Degree of protection acc.to DIN EN	
60 529 for coupled connector	H version IP65 / W version IP67

Pressure tight Hoods & Housings IP68/IP69k	
Material	aluminium die-cast, corrosion resistant
Colour	black or grey
Locking element	
-Lever type	screw locking
-Material	stainless steel
Hoods/Housings seal	NBR
Limiting temperatures	-40...+125°C
Flammability acc. to UL 94	V0
Degree of protection acc.to DIN EN	
60 529 for coupled connector	IP68/IP69K

HC Plastic Hoods & Housings IP65	
Material	polycarbonate
Colour	RAL 9005 (black)
Locking element	
-Lever type	plastic elastic pressing
-Material	polyamide
Hoods/Housings seal	NBR
Limiting temperatures	-40...+125°C
Flammability acc. to UL 94	V0
Degree of protection acc.to DIN EN	
60 529 for coupled connector	IP65

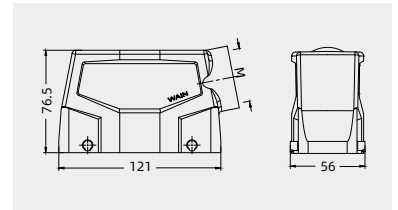
24B Plastic hoods/housings

Degree of protection: IP65 Remark: SPQ is 1pc

Hoods, side entry, high construction



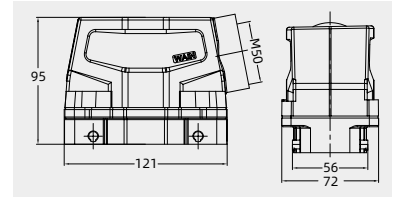
Thread	Designation	Order No.
M32	H24B.P-SEH-4B-M32	117 024 530 5004
M40	H24B.P-SEH-4B-M40	117 024 530 5005



Hoods, side entry, high construction



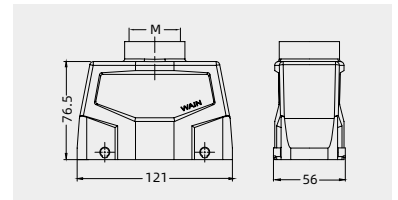
Thread	Designation	Order No.
M50	H24B.P-SEH-4B-M50	117 024 530 5502



Hoods, top entry, high construction



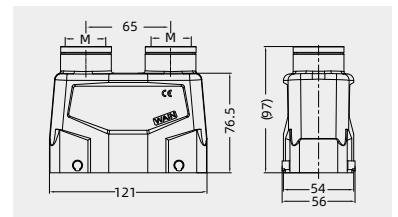
Thread	Designation	Order No.
M32	H24B.P-TEH-4B-M32	117 024 430 5004
M40	H24B.P-TEH-4B-M40	117 024 430 5005



Hoods, top entry, high construction



Thread	Designation	Order No.
2M25	H24B.P-TEH-4B-2M25	117 024 430 5002
2M32	H24B.P-TEH-4B-2M32	117 024 430 5001



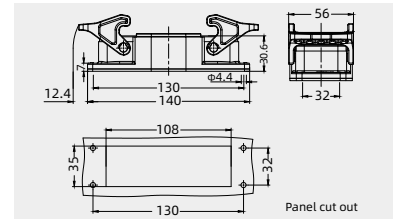
## 24B Plastic hoods/housings

Degree of protection: IP65 Remark: SPQ is 1pc

## Bulkhead mounted housings



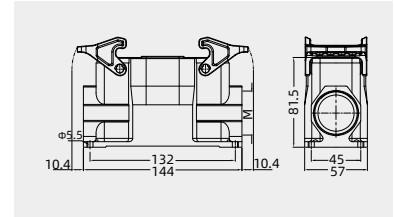
Connect way	Designation	Order No.
---	H24B.P-BK-2L	117 024 347 1001



## Surface mounted housings, high construction



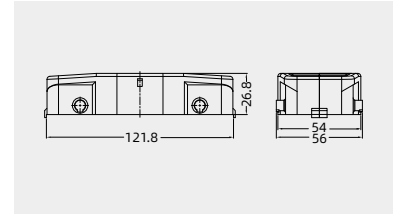
Thread	Designation	Order No.
M32	H24B.P-SFH-2L-M32	117 024 247 5004
2M32	H24B.P-SFH-2L-2M32	117 024 247 5024
M40	H24B.P-SFH-2L-M40	117 024 247 5005
2M40	H24B.P-SFH-2L-2M40	117 024 247 5025



## Protection covers, for housings



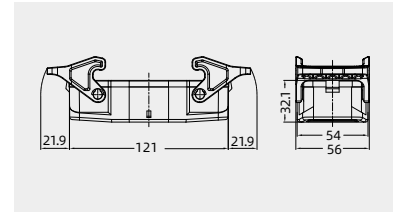
Connect way	Designation	Order No.
---	H24B.P-CV-4B/2	117 024 030 8002



## Protection covers, for hoods



Connect way	Designation	Order No.
---	H24B.P-CV-2L/1	117 024 047 8001



24B Modular type plastic hoods/housings

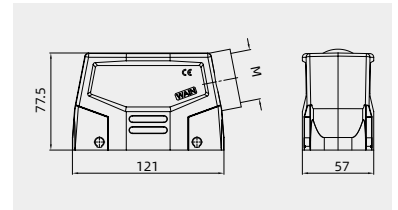
Degree of protection: IP65 Remark: SPQ is 1pc

Number of modules: 7

Hoods, side entry, high construction



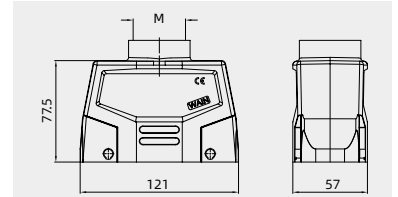
Thread	Designation	Order No.
M32	HM24B.P-SEH-4B-M32	129 024 530 1500
M40	HM24B.P-SEH-4B-M40	129 024 530 5001



Hoods, top entry, high construction



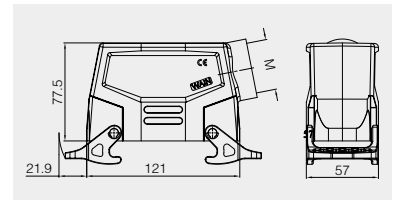
Thread	Designation	Order No.
M32	HM24B.P-TEH-4B-M32	129 024 430 1500
M40	HM24B.P-TEH-4B-M40	129 024 430 5001



Hoods, side entry, high construction



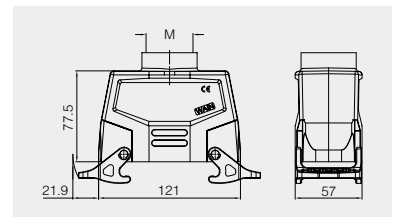
Thread	Designation	Order No.
M32	HM24B.P-SEH-2L-M32	129 024 547 1500
M40	HM24B.P-SEH-2L-M40	129 024 540 1001



Hoods, top entry, high construction



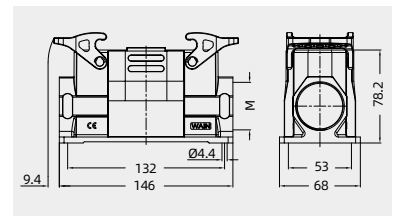
Thread	Designation	Order No.
M32	HM24B.P-TEH-2L-M32	129 024 447 1500
M40	HM24B.P-TEH-2L-M40	129 024 440 1001



Surface mounted housings, high construction



Thread	Designation	Order No.
M32	HM24B.P-SFH-2L-M32	129 024 247 1501
M32	HM24B.P-SFH-2L-2M32	129 024 247 1502
M40	HM24B.P-SFH-2L-M40	129 024 230 5001
M40	HM24B.P-SFH-2L-2M40	129 024 247 1500



24B Modular type plastic hoods/housings

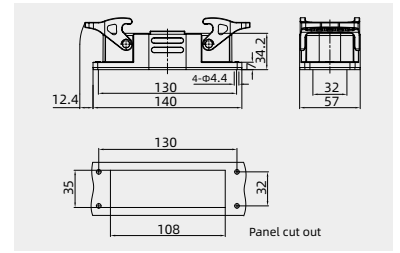
Degree of protection: IP65 Remark: SPQ is 1pc

Number of modules: 7

Bulkhead mounted housings



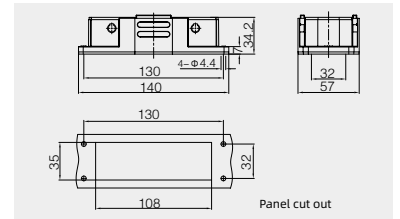
Thread	Designation	Order No.
---	HM24B.P-BK-2L	129 024 340 1001



Bulkhead mounted housings



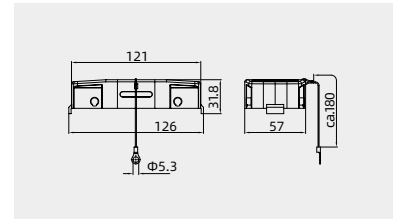
Thread	Designation	Order No.
---	HM24B.P-BK-4B	129 024 330 1001



Protection covers, for housings



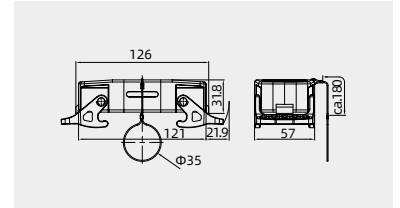
Connect way	Designation	Order No.
	HM24B.P-CV-4B/2	129 024 030 8001



Protection covers, for hoods



Connect way	Designation	Order No.
	HM24B.P-CV-2L/1	129 024 040 8001



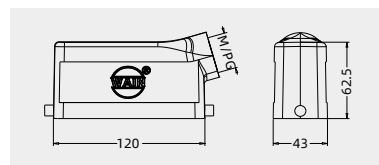
## 24B Metal hoods/housings

Degree of protection: IP65 Remark: SPQ is 1pc

## Hoods, side entry



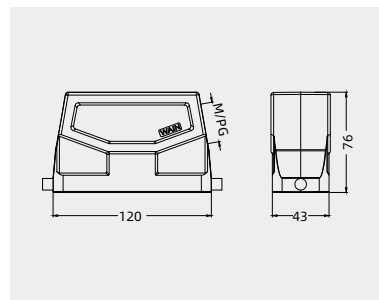
Thread	Designation	Order No.
M25	H24B-SE-2B-M25	111 024 515 1003
M32	H24B-SE-2B-M32	111 024 515 1004
PG21	H24B-SE-2B-PG21	111 024 515 1011



## Hoods, side entry, high construction



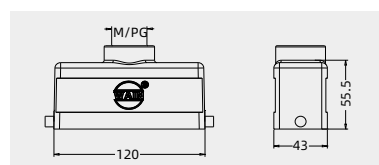
Thread	Designation	Order No.
---	W24B-BEH-2B	111 124 910 5002
M32	W24B-SEH-2B-M32	111 124 510 5001
M40	W24B-SEH-2B-M40	111 124 510 5002
PG21	W24B-SEH-2B-PG21	111 124 510 5003
PG29	W24B-SEH-2B-PG29	111 124 510 5004
M32	W24B-SEH-2B-M32 WS	111 124 515 5004
PG21	W24B-SEH-2B-PG21 WS	111 124 515 5011
PG29	W24B-SEH-2B-PG29 WS	111 124 515 5012



## Hoods, top entry



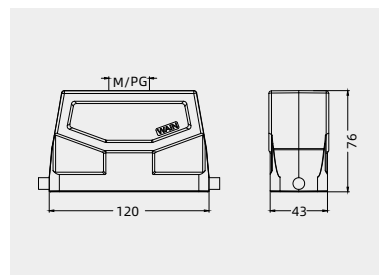
Thread	Designation	Order No.
M25	H24B-TE-2B-M25	111 024 415 1003
M32	H24B-TE-2B-M32	111 024 415 1004
PG21	H24B-TE-2B-PG21	111 024 415 1011
PG29	H24B-TE-2B-PG29	111 024 415 1012



## Hoods, top entry, high construction



Thread	Designation	Order No.
---	W24B-BEH-2B	111 124 910 5002
M32	W24B-TEH-2B-M32	111 124 410 5001
M40	W24B-TEH-2B-M40	111 124 410 5002
PG21	W24B-TEH-2B-PG21	111 124 410 5003
PG29	W24B-TEH-2B-PG29	111 124 410 5004
M32	W24B-TEH-2B-M32 WS	111 124 415 5004
PG21	W24B-TEH-2B-PG21 WS	111 124 415 5011
PG29	W24B-TEH-2B-PG29 WS	111 124 415 5012

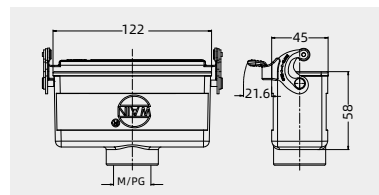


## Housings, cable to cable



Thread	Designation	Order No.
M25	H24B-CCT-1L/SC-M25	111 024 721 1003
M32	H24B-CCT-1L/SC-M32	111 024 721 1004
PG21	H24B-CCT-1L/SC-PG21	111 024 721 1011
PG29	H24B-CCT-1L/SC-PG29	111 024 721 1012

Please refer to page 15-02 for choosing proper model of lock.

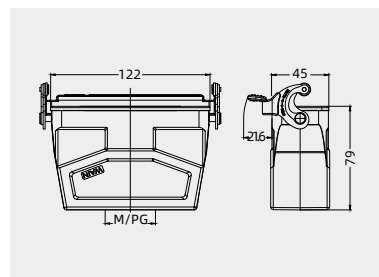


## Housings, cable to cable, high construction



Thread	Designation	Order No.
M32	W24B-CCTH-1L/SC-M32	111 124 721 5002
M40	W24B-CCTH-1L/SC-M40	111 124 721 5003
PG21	W24B-CCTH-1L/SC-PG21	111 124 721 5004
PG29	W24B-CCTH-1L/SC-PG29	111 124 721 5005
M32	W24B-CCTH-1L/SC-M32 WS	111 124 721 5006
PG21	W24B-CCTH-1L/SC-PG21 WS	111 124 721 5011
PG29	W24B-CCTH-1L/SC-PG29 WS	111 124 721 5012

Please refer to page 15-02 for choosing proper model of lock.



## 24B Metal hoods/housings

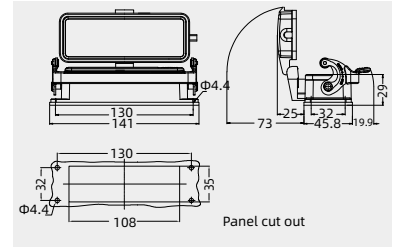
Degree of protection: IP65 Remark: SPQ is 1pc

## Bulkhead mounted housings



Thread	Designation	Order No.
---	H24B-BK-1L/SC	111 024 321 1001
---	with plastic cover	
---	H24B-BK-1L/SC-CV	111 024 361 1001
---	with metal cover	
---	H24B-BK-1L/SC-MCV	111 024 361 1101

Please refer to page 15-02 for choosing proper model of lock.

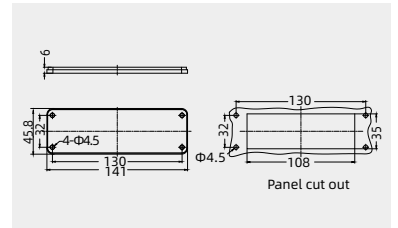


## BK hole cover plate



Applications	Designation	Order No.
---	24B-BK/MCV	111 024 390 8001

The mounting holes of the mounting cabinet can be temporarily sealed. Applicable to the case that the mounting hole has been opened and the connector has not been installed.



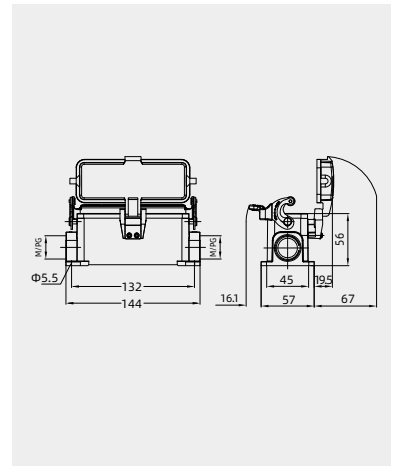
## Surface mounted housings



Thread	Designation	Order No.
M25	H24B-SF-1L/SC-M25	111 024 221 1003
2M25	H24B-SF-1L/SC-2M25	111 024 221 1023
PG21	H24B-SF-1L/SC-PG21	111 024 221 1011
2PG21	H24B-SF-1L/SC-2PG21	111 024 221 1031

with plastic cover		
M25	H24B-SF-1L/SC-CV-M25	111 024 261 1003
2M25	H24B-SF-1L/SC-CV-2M25	111 024 261 1023
PG21	H24B-SF-1L/SC-CV-PG21	111 024 261 1011
2PG21	H24B-SF-1L/SC-CV-2PG21	111 024 261 1031
with metal cover		
M25	H24B-SF-1L/SC-MCV-M25	111 024 261 1103
2M25	H24B-SF-1L/SC-MCV-2M25	111 024 261 1123
PG21	H24B-SF-1L/SC-MCV-PG21	111 024 261 1111
2PG21	H24B-SF-1L/SC-MCV-2PG21	111 024 261 1131

Please refer to page 15-02 for choosing proper model of lock.



## Surface mounted housings, high construction

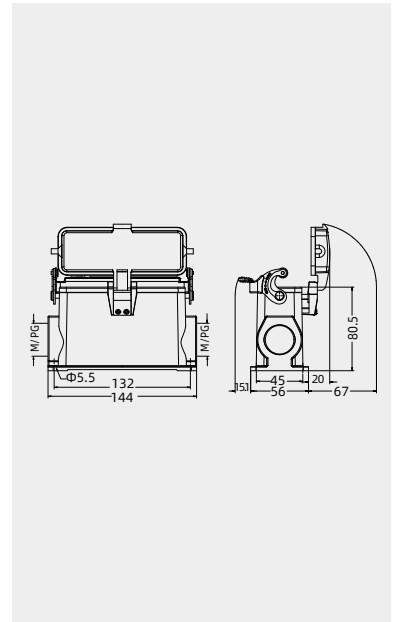


Thread	Designation	Order No.
M32	H24B-SFH-1L/SC-M32	111 024 221 5004
2M32	H24B-SFH-1L/SC-2M32	111 024 221 5024
PG21	H24B-SFH-1L/SC-PG21	111 024 221 5011
2PG21	H24B-SFH-1L/SC-2PG21	111 024 221 5031
PG29	H24B-SFH-1L/SC-PG29	111 024 221 5012
2PG29	H24B-SFH-1L/SC-2PG29	111 024 221 5032

with plastic cover		
M32	H24B-SFH-1L/SC-CV-M32	111 024 261 5004
2M32	H24B-SFH-1L/SC-CV-2M32	111 024 261 5024
PG21	H24B-SFH-1L/SC-CV-PG21	111 024 261 5011
2PG21	H24B-SFH-1L/SC-CV-2PG21	111 024 261 5031
PG29	H24B-SFH-1L/SC-CV-PG29	111 024 261 5012
2PG29	H24B-SFH-1L/SC-CV-2PG29	111 024 261 5032

with metal cover		
M32	H24B-SFH-1L/SC-MCV-M32	111 024 261 5104
2M32	H24B-SFH-1L/SC-MCV-2M32	111 024 261 5124
PG21	H24B-SFH-1L/SC-MCV-PG21	111 024 261 5111
2PG21	H24B-SFH-1L/SC-MCV-2PG21	111 024 261 5131
PG29	H24B-SFH-1L/SC-MCV-PG29	111 024 261 5112
2PG29	H24B-SFH-1L/SC-MCV-2PG29	111 024 261 5132

Please refer to page 15-02 for choosing proper model of lock.



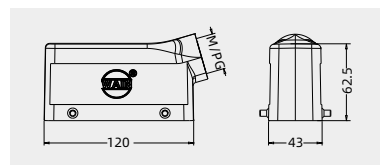
## 24B Metal hoods/housings

Degree of protection: IP65 Remark: SPQ is 1pc

## Hoods, side entry



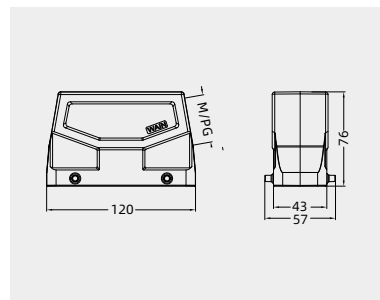
Thread	Designation	Order No.
M25	H24B-SE-4B-M25	111 024 530 1003
M32	H24B-SE-4B-M32	111 024 530 1004
PG21	H24B-SE-4B-PG21	111 024 530 1011



## Hoods, side entry, high construction



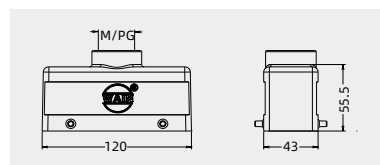
Thread	Designation	Order No.
---	W24B-BEH-4B	111 124 930 5003
M32	W24B-SEH-4B-M32	111 124 530 5001
M40	W24B-SEH-4B-M40	111 124 530 5002
PG21	W24B-SEH-4B-PG21	111 124 530 5003
PG29	W24B-SEH-4B-PG29	111 124 530 5004
M32	W24B-SEH-4B-M32 <span style="color: #0070C0;">WS</span>	111 124 530 5008
PG21	W24B-SEH-4B-PG21 <span style="color: #0070C0;">WS</span>	111 124 530 5011
PG29	W24B-SEH-4B-PG29 <span style="color: #0070C0;">WS</span>	111 124 530 5012



## Hoods, top entry



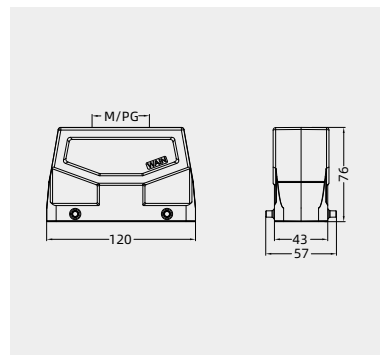
Thread	Designation	Order No.
M25	H24B-TE-4B-M25	111 024 430 1003
M32	H24B-TE-4B-M32	111 024 430 1004
PG21	H24B-TE-4B-PG21	111 024 430 1011
PG29	H24B-TE-4B-PG29	111 024 430 1012



## Hoods, top entry, high construction



Thread	Designation	Order No.
---	W24B-BEH-4B	111 124 930 5003
M32	W24B-TEH-4B-M32	111 124 430 5001
M40	W24B-TEH-4B-M40	111 124 430 5002
PG21	W24B-TEH-4B-PG21	111 124 430 5003
PG29	W24B-TEH-4B-PG29	111 124 430 5004
2M32	W24B-TEH-4B-2M32	111 124 430 5005
	with sleeve	
M32	W24B-TEH-4B-M32 <span style="color: #0070C0;">WS</span>	111 124 430 5014
PG21	W24B-TEH-4B-PG21 <span style="color: #0070C0;">WS</span>	111 124 430 5011
PG29	W24B-TEH-4B-PG29 <span style="color: #0070C0;">WS</span>	111 124 430 5010



## 24B Metal hoods/housings

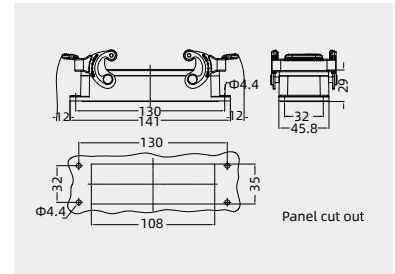
Degree of protection: IP65 **Remark: SPQ is 1pc**

## Bulkhead mounted housings



Thread	Designation	Order No.
---	H24B-BK-2L/SC	111 024 341 1001

Please refer to page 15-02 for choosing proper model of lock.

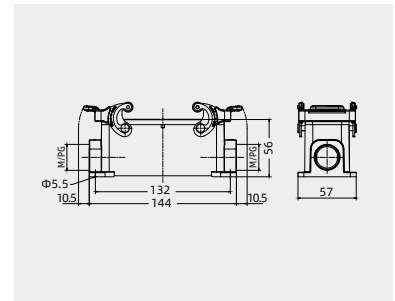


## Surface mounted housings



Thread	Designation	Order No.
M25	H24B-SF-2L/SC-M25	111 024 241 1003
2M25	H24B-SF-2L/SC-2M25	111 024 241 1023
PG21	H24B-SF-2L/SC-PG21	111 024 241 1011
2PG21	H24B-SF-2L/SC-2PG21	111 024 241 1031

Please refer to page 15-02 for choosing proper model of lock.

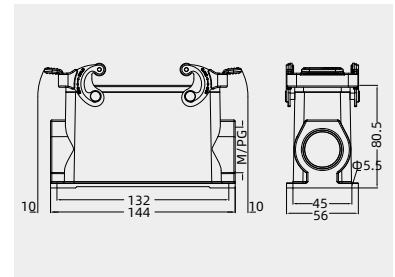


## Surface mounted housings, high construction



Thread	Designation	Order No.
M32	H24B-SFH-2L/SC-M32	111 024 241 5004
2M32	H24B-SFH-2L/SC-2M32	111 024 241 5024
2M40	H24B-SFH-2L/SC-2M40	111 024 241 5025
PG21	H24B-SFH-2L/SC-PG21	111 024 241 5011
2PG21	H24B-SFH-2L/SC-2PG21	111 024 241 5031
PG29	H24B-SFH-2L/SC-PG29	111 024 241 5012
2PG29	H24B-SFH-2L/SC-2PG29	111 024 241 5032

Please refer to page 15-02 for choosing proper model of lock.

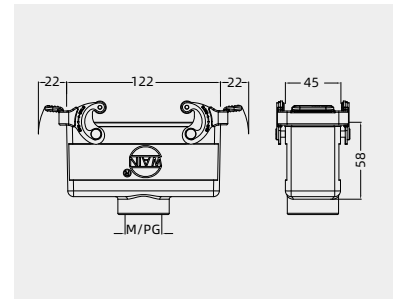


## Housings, cable to cable



Thread	Designation	Order No.
M25	H24B-CCT-2L/SC-M25	111 024 741 1003
M32	H24B-CCT-2L/SC-M32	111 024 741 1004
PG21	H24B-CCT-2L/SC-PG21	111 024 741 1011
PG29	H24B-CCT-2L/SC-PG29	111 024 741 1012

Please refer to page 15-02 for choosing proper model of lock.



24B Metal hoods/housings

Degree of protection: IP65 Remark: SPQ is 1pc

Housings, cable to cable, high construction



Thread	Designation	Order No.
M32	W24B-CCTH-2L/SC-M32	111 124 741 5002
M40	W24B-CCTH-2L/SC-M40	111 124 741 5003
PG21	W24B-CCTH-2L/SC-PG21	111 124 741 5004
PG29	W24B-CCTH-2L/SC-PG29	111 124 741 5005
	with sleeve	
M32	W24B-CCTH-2L/SC-M32 WS	111 124 741 5010
PG21	W24B-CCTH-2L/SC-PG21 WS	111 124 741 5011
PG29	W24B-CCTH-2L/SC-PG29 WS	111 124 741 5012

Please refer to page 15-02 for choosing proper model of lock.

Protection covers, plastic



Remark: SPQ is 10pcs

Connect way	Applications	Designation	Order No.
---	for hoods	H24B-CV-4C	111 024 090 8009

Protection covers, plastic



Remark: SPQ is 10pcs

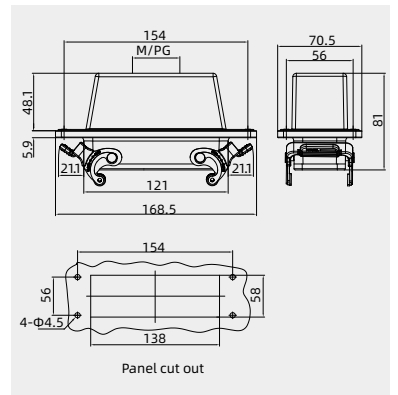
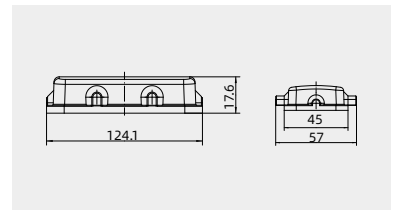
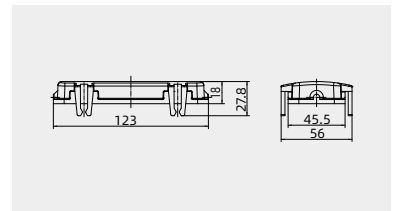
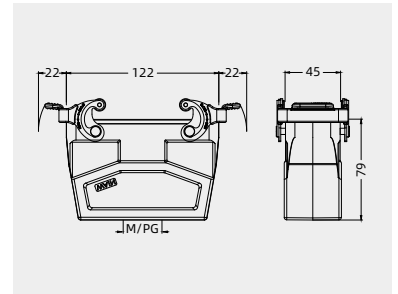
Connect way	Applications	Designation	Order No.
	for Housings, cable to cable	H24B-CV-4B/1	111 024 030 8001
	for Housings, bulkhead mounting /surface mounting	H24B-CV-4B/2	111 024 030 8002

Housings, cable to cable ,high construction, Under-shell through-board installation



Thread	Designation	Order No.
M32	W24B-CCTH/BK-2L/SC-M32	111 124 741 5503
M40	W24B-CCTH/BK-2L/SC-M40	111 124 741 5507
PG21	W24B-CCTH/BK-2L/SC-PG21	111 124 741 5512
PG29	W24B-CCTH/BK-2L/SC-PG29	111 124 741 5513

Please refer to page 15-02 for choosing proper model of lock.



## 24B Metal hoods/housings

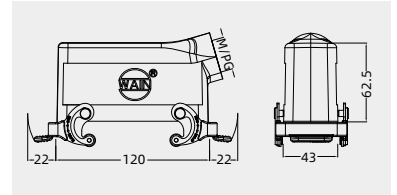
Degree of protection: IP65 Remark: SPQ is 1pc

## Hoods, side entry



Thread	Designation	Order No.
M25	H24B-SE-2L/SC-M25	111 024 541 1003
M32	H24B-SE-2L/SC-M32	111 024 541 1004
PG21	H24B-SE-2L/SC-PG21	111 024 541 1011

Please refer to page 15-02 for choosing proper model of lock.

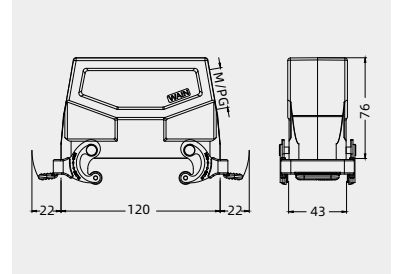


## Hoods, side entry, high construction



Thread	Designation	Order No.
M32	W24B-SEH-2L/SC-M32	111 124 541 5001
M40	W24B-SEH-2L/SC-M40	111 124 541 5002
PG21	W24B-SEH-2L/SC-PG21	111 124 541 5003
PG29	W24B-SEH-2L/SC-PG29	111 124 541 5004
	with sleeve	
M32	W24B-SEH-2L/SC-M32 WS	111 124 541 5005
PG21	W24B-SEH-2L/SC-PG21 WS	111 124 541 5011
PG29	W24B-SEH-2L/SC-PG29 WS	111 124 541 5012

Please refer to page 15-02 for choosing proper model of lock.

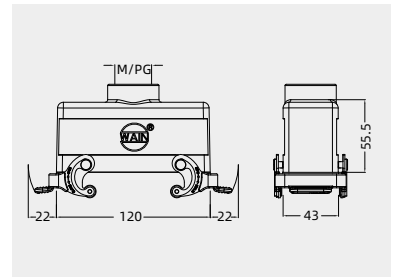


## Hoods, top entry



Thread	Designation	Order No.
M25	H24B-TE-2L/SC-M25	111 024 441 1003
M32	H24B-TE-2L/SC-M32	111 024 441 1004
PG21	H24B-TE-2L/SC-PG21	111 024 441 1011
PG29	H24B-TE-2L/SC-PG29	111 024 441 1012

Please refer to page 15-02 for choosing proper model of lock.

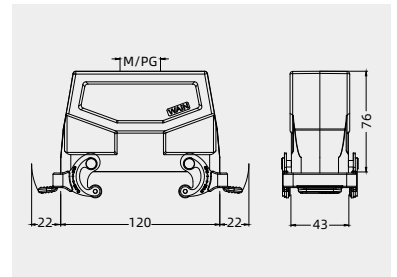


## Hoods, top entry, high construction



Thread	Designation	Order No.
M32	W24B-TEH-2L/SC-M32	111 124 441 5001
M40	W24B-TEH-2L/SC-M40	111 124 441 5002
PG21	W24B-TEH-2L/SC-PG21	111 124 441 5003
PG29	W24B-TEH-2L/SC-PG29	111 124 441 5004
	with sleeve	
M32	W24B-TEH-2L/SC-M32 WS	111 124 441 5006
PG21	W24B-TEH-2L/SC-PG21 WS	111 124 441 5011
PG29	W24B-TEH-2L/SC-PG29 WS	111 124 441 5012

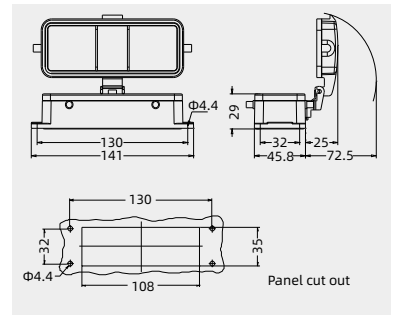
Please refer to page 15-02 for choosing proper model of lock.



## Bulkhead mounted housings



Thread	Designation	Order No.
---	H24B-BK-4B	111 024 330 1001
	with plastic cover	
---	H24B-BK-4B-CV	111 024 370 1001
	with metal cover	
---	H24B-BK-4B-MCV	111 024 370 1101



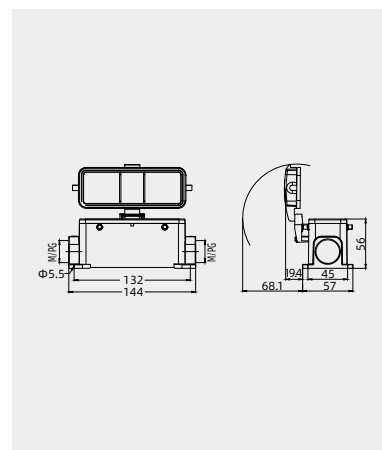
## 24B Metal hoods/housings

Degree of protection: IP65 Remark: SPQ is 1pc

## Surface mounted housings



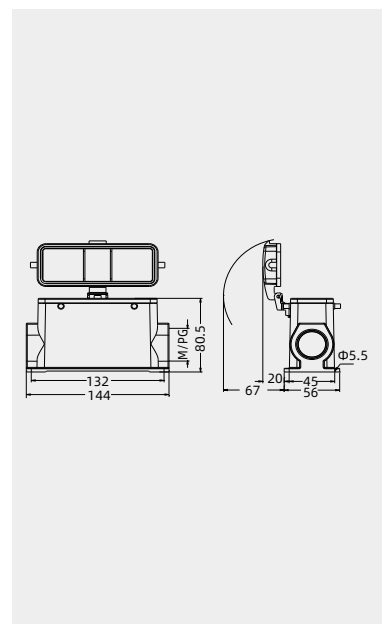
Thread	Designation	Order No.
M25	H24B-SF-4B-M25	111 024 230 1003
2M25	H24B-SF-4B-2M25	111 024 230 1023
PG21	H24B-SF-4B-PG21	111 024 230 1011
2PG21	H24B-SF-4B-2PG21	111 024 230 1031
with plastic cover		
M25	H24B-SF-4B-CV-M25	111 024 270 1003
2M25	H24B-SF-4B-CV-2M25	111 024 270 1023
PG21	H24B-SF-4B-CV-PG21	111 024 270 1011
2PG21	H24B-SF-4B-CV-2PG21	111 024 270 1031
with metal cover		
M25	H24B-SF-4B-MCV-M25	111 024 270 1103
2M25	H24B-SF-4B-MCV-2M25	111 024 270 1123
PG21	H24B-SF-4B-MCV-PG21	111 024 270 1111
2PG21	H24B-SF-4B-MCV-2PG21	111 024 270 1131



## Surface mounted housings, high construction



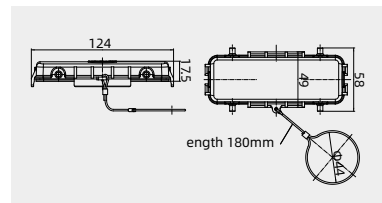
Thread	Designation	Order No.
M32	H24B-SFH-4B-M32	111 024 230 5004
2M32	H24B-SFH-4B-2M32	111 024 230 5024
PG21	H24B-SFH-4B-PG21	111 024 230 5011
2PG21	H24B-SFH-4B-2PG21	111 024 230 5031
PG29	H24B-SFH-4B-PG29	111 024 230 5012
2PG29	H24B-SFH-4B-2PG29	111 024 230 5032
with plastic cover		
M32	H24B-SFH-4B-CV-M32	111 024 270 5004
2M32	H24B-SFH-4B-CV-2M32	111 024 270 5024
PG21	H24B-SFH-4B-CV-PG21	111 024 270 5011
2PG21	H24B-SFH-4B-CV-2PG21	111 024 270 5031
PG29	H24B-SFH-4B-CV-PG29	111 024 270 5012
2PG29	H24B-SFH-4B-CV-2PG29	111 024 270 5032
with metal cover		
M32	H24B-SFH-4B-MCV-M32	111 024 270 5104
2M32	H24B-SFH-4B-MCV-2M32	111 024 270 5124
PG21	H24B-SFH-4B-MCV-PG21	111 024 270 5111
2PG21	H24B-SFH-4B-MCV-2PG21	111 024 270 5131
PG29	H24B-SFH-4B-MCV-PG29	111 024 270 5112
2PG29	H24B-SFH-4B-MCV-2PG29	111 024 270 5132



## Protection covers, metal



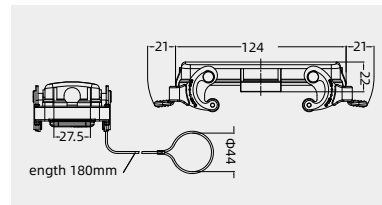
Connect way	Applications	Designation	Order No.
	for hoods	H24B-MCV-4B/1S	111 024 030 8103
	for housings, without sealing	H24B-MCV-4B/2	111 024 030 8102



## Protection covers, metal



Connect way	Applications	Designation	Order No.
	for hoods	H24B-MCV-2L/SC.1S	111 024 041 8101
	or housings	H24B-MCV-2L/SC.2	111 024 041 8102



Please refer to page 15-02 for choosing proper model of lock.

24B Metal hoods/housings

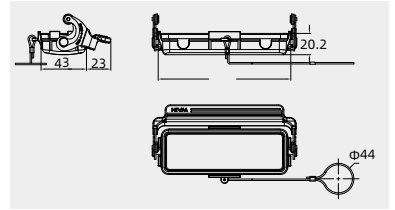
Degree of protection: IP65 Remark: SPQ is 1pc

Protection covers, metal



Connect way	Applications	Designation	Order No.
	for hoods	H24B-MCV-1L/SC.1S	111 024 021 1101

Please refer to page 15-02 for choosing proper model of lock.

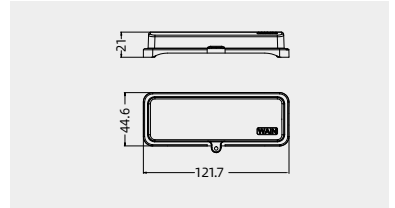


Protection covers(IP5X)



Remark: SPQ is 10pcs

Thread	Applications	Designation	Order No.
---	for housings	H24B-CV/C	111 024 000 8004

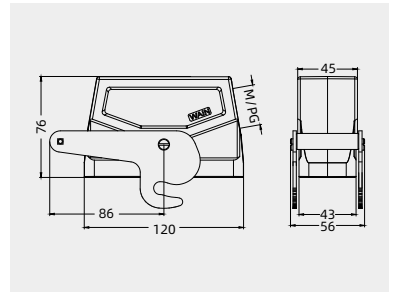


H

Hoods, side entry, high construction



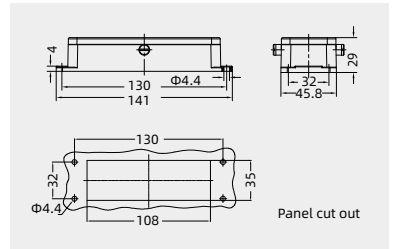
Thread	Designation	Order No.
M25	W24B-SEH-1L/C-M25	111 124 550 5001
M32	W24B-SEH-1L/C-M32	111 124 550 5002
M40	W24B-SEH-1L/C-M40	111 124 550 5003
PG21	W24B-SEH-1L/C-PG21	111 124 550 5004
PG29	W24B-SEH-1L/C-PG29	111 124 550 5005
	with sleeve	
M32	W24B-SEH-1L/C-M32 WS	111 124 555 5004
PG21	W24B-SEH-1L/C-PG21 WS	111 124 555 5011
PG29	W24B-SEH-1L/C-PG29 WS	111 124 555 5012



Bulkhead mounted housings



Thread	Designation	Order No.
---	H24B-BK-2B/C	111 024 355 1001



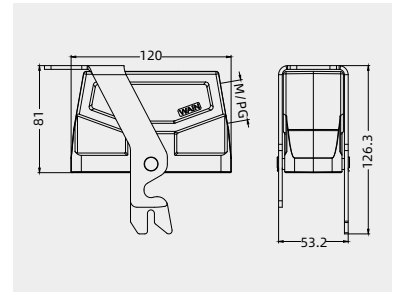
## 24B Metal hoods/housings

Degree of protection: IP65 Remark: SPQ is 1pc

### Hoods, side entry, high construction



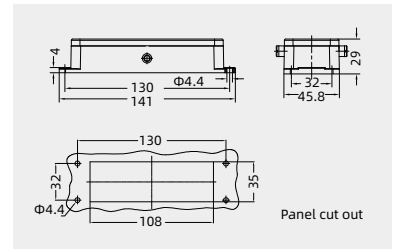
Thread	Designation	Order No.
M40	W24B-SEH-1L/B-M40	111 024 525 5105
PG29	W24B-SEH-1L/B-PG29 with sleeve	111 024 525 5112
M32	W24B-SEH-1L/B-M32 <span style="color: blue;">WS</span>	111 124 529 5005
PG21	W24B-SEH-1L/B-PG21 <span style="color: blue;">WS</span>	111 124 529 5004
PG29	W24B-SEH-1L/B-PG29 <span style="color: blue;">WS</span>	111 124 525 5112



### Bulkhead mounted housings



Thread	Designation	Order No.
---	H24B-BK-2B/B	111 024 315 1101



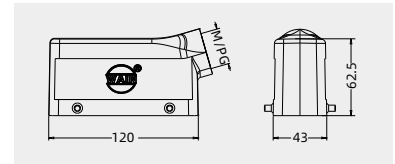
## 24B Metal hoods/housings -Suitable for harsh environment(anti-corrosion)

Degree of protection: IP65 Remark: SPQ is 1pc

### Hoods, side entry



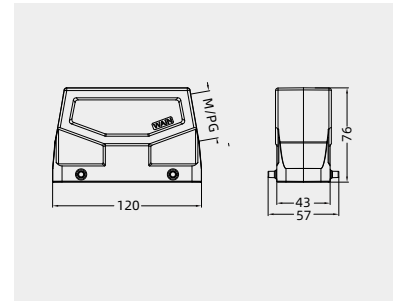
Thread	Designation	Order No.
M25	H24B-MSE-4B-M25	112 024 530 1003
M32	H24B-MSE-4B-M32	112 024 530 1004
PG21	H24B-MSE-4B-PG21	112 024 530 1011



### Hoods, side entry, high construction



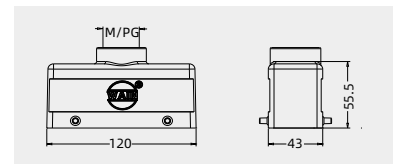
Thread	Designation	Order No.
M32	W24B-MSEH-4B-M32	112 124 530 5005
M40	W24B-MSEH-4B-M40	112 124 530 5006
PG21	W24B-MSEH-4B-PG21	112 124 530 5011
PG29	W24B-MSEH-4B-PG29	112 124 530 5007
	with sleeve	
M32	W24B-MSEH-4B-M32 <span style="color: blue;">WS</span>	112 124 530 5004
PG21	W24B-MSEH-4B-PG21 <span style="color: blue;">WS</span>	112 124 530 5013
PG29	W24B-MSEH-4B-PG29 <span style="color: blue;">WS</span>	112 124 530 5012



### Hoods, top entry



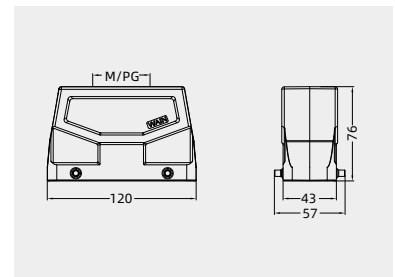
Thread	Designation	Order No.
M25	H24B-MTE-4B-M25	112 024 430 1003
M32	H24B-MTE-4B-M32	112 024 430 1004
PG21	H24B-MTE-4B-PG21	112 024 430 1011
PG29	H24B-MTE-4B-PG29	112 024 430 1005



### Hoods, top entry, high construction



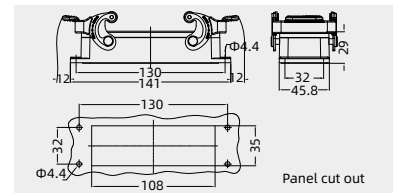
Thread	Designation	Order No.
M32	W24B-MTEH-4B-M32	112 124 430 5006
M40	W24B-MTEH-4B-M40	112 124 430 5007
PG21	W24B-MTEH-4B-PG21	112 124 430 5011
PG29	W24B-MTEH-4B-PG29	112 124 430 5008
	with sleeve	
M32	W24B-MTEH-4B-M32 <span style="color: blue;">WS</span>	112 124 430 5004
PG21	W24B-MTEH-4B-PG21 <span style="color: blue;">WS</span>	112 124 430 5010
PG29	W24B-MTEH-4B-PG29 <span style="color: blue;">WS</span>	112 124 430 5012



### Bulkhead mounted housings



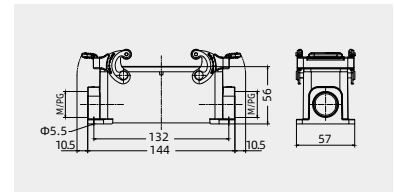
Thread	Designation	Order No.
---	H24B-MBK-2L/SC	112 024 341 1001



### Surface mounted housings



Thread	Designation	Order No.
M25	H24B-MSF-2L/SC-M25	112 024 241 1003
2M25	H24B-MSF-2L/SC-2M25	112 024 241 1023
PG21	H24B-MSF-2L/SC-PG21	112 024 241 1011
2PG21	H24B-MSF-2L/SC-2PG21	112 024 241 1031



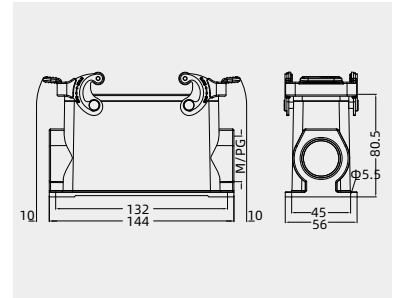
24B Metal hoods/housings  
-Suitable for harsh environment(anti-corrosion)

Degree of protection: IP65 Remark: SPQ is 1pc

Surface mounted housings, high construction



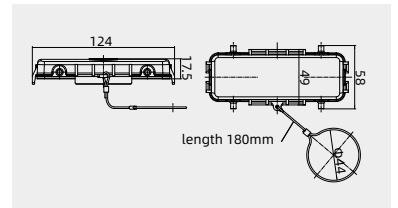
Thread	Designation	Order No.
M32	H24B-MSFH-2L/SC-M32	112 024 241 5004
2M32	H24B-MSFH-2L/SC-2M32	112 024 241 5024
M40	H24B-MSFH-2L/SC-M40	112 024 241 5005
PG21	H24B-MSFH-2L/SC-PG21	112 024 241 5011
2PG21	H24B-MSFH-2L/SC-2PG21	112 024 241 5031
PG29	H24B-MSFH-2L/SC-PG29	112 024 241 5012
2PG29	H24B-MSFH-2L/SC-2PG29	112 024 241 5032



Protection covers



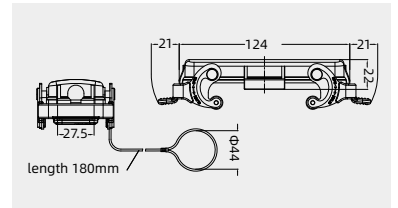
Connect way	Applications	Designation	Order No.
	for hoods	H24B-MMCV-4B/1	112 024 030 8001
	for housings	H24B-MMCV-4B/2	112 024 030 8002



Protection covers



Connect way	Applications	Designation	Order No.
	for hoods	H24B-MMCV-2L/SC.1S	112 024 041 8001
	for housings	H24B-MMCV-2L/SC.2	112 024 041 8002



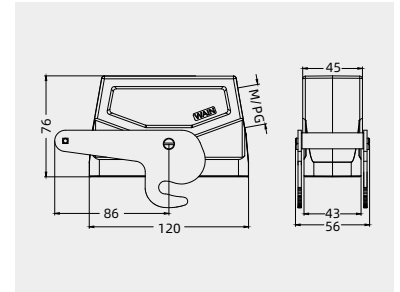
## 24B Metal hoods/housings -Suitable for harsh environment(anti-corrosion)

Degree of protection: IP65 **Remark: SPQ is 1pc**

### Hoods, side entry, high construction



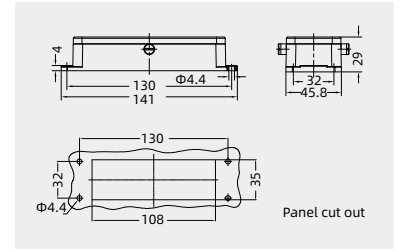
Thread	Designation	Order No.
M32	W24B-MSEH-1L/C-M32	112 124 550 5006
PG21	W24B-MSEH-1L/C-PG21	112 124 555 5011
PG29	W24B-MSEH-1L/C-PG29	112 124 550 5007
	with sleeve	
M32	W24B-MSEH-1L/C-M32 <b>WS</b>	112 124 555 5004
PG21	W24B-MSEH-1L/C-PG21 <b>WS</b>	112 124 555 5013
PG29	W24B-MSEH-1L/C-PG29 <b>WS</b>	112 124 555 5012



### Bulkhead mounted housings



Thread	Designation	Order No.
---	H24B-MBK-2B/C	112 024 350 1001



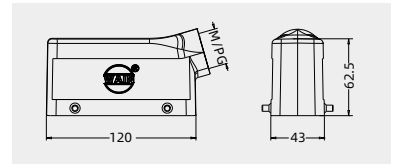
24B EMC Metal hoods/housings

Degree of protection: IP65 Remark: SPQ is 1pc

Hoods, side entry



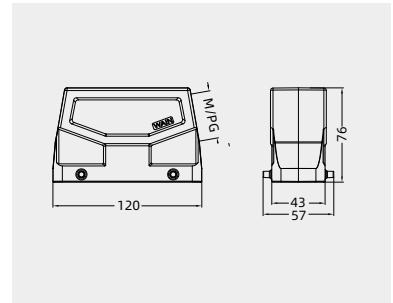
Thread	Designation	Order No.
M25	EMC.H24B-SE-4B-M25	111 624 530 1005
M32	EMC.H24B-SE-4B-M32	111 624 535 1004
PG21	EMC.H24B-SE-4B-PG21	111 624 503 1501



Hoods, side entry, high construction



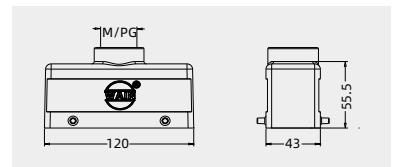
Thread	Designation	Order No.
---	EMC.W24B-BEH-4B	111 224 930 5004
M32	EMC.W24B-SEH-4B-M32	111 224 530 5008
M40	EMC.W24B-SEH-4B-M40	111 224 530 5009
PG21	EMC.W24B-SEH-4B-PG21	111 224 530 5006
PG29	EMC.W24B-SEH-4B-PG29	111 224 530 5010
	with sleeve	
M32	EMC.W24B-SEH-4B-M32 <a href="#">WS</a>	111 124 535 5501
PG21	EMC.W24B-SEH-4B-PG21 <a href="#">WS</a>	111 224 535 5001
PG29	EMC.W24B-SEH-4B-PG29 <a href="#">WS</a>	111 124 535 5013



Hoods, top entry



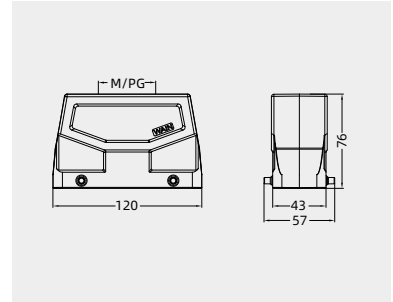
Thread	Designation	Order No.
M25	EMC.H24B-TE-4B-M25	111 624 435 1003
M32	EMC.H24B-TE-4B-M32	111 624 435 1004
PG21	EMC.H24B-TE-4B-PG21	111 624 435 1011
PG29	EMC.H24B-TE-4B-PG29	111 624 435 1012



Hoods, top entry, high construction



Thread	Designation	Order No.
---	EMC.W24B-BEH-4B	111 224 930 5004
M32	EMC.W24B-TEH-4B-M32	111 224 430 5009
M40	EMC.W24B-TEH-4B-M40	111 224 430 5010
PG21	EMC.W24B-TEH-4B-PG21	111 224 430 5001
PG29	EMC.W24B-TEH-4B-PG29	111 224 430 5011
	with sleeve	
M32	EMC.W24B-TEH-4B-M32 <a href="#">WS</a>	111 124 435 5501
PG21	EMC.W24B-TEH-4B-PG21 <a href="#">WS</a>	111 124 435 5502
PG29	EMC.W24B-TEH-4B-PG29 <a href="#">WS</a>	111 124 435 5015

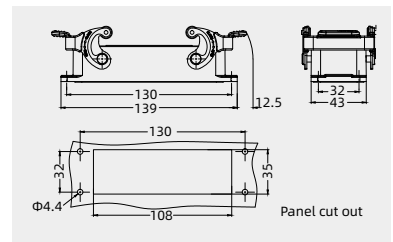


Bulkhead mounted housings



Thread	Designation	Order No.
---	EMC1.H24B-BK-2L/ <a href="#">SC</a>	111 624 341 1501

Please refer to page 15-02 for choosing proper model of lock.



## 24B EMC Metal hoods/housings

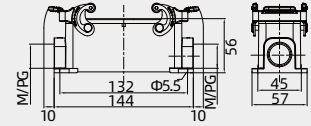
Degree of protection: IP65

Remark: SPQ is 1pc

## Hoods, side entry



Thread	Designation	Order No.
M25	EMC.H24B-SF-2L/SC-M25	111 616 241 1500
2M25	EMC.H24B-SF-2L/SC-2M25	111 616 241 1501
PG21	EMC.H24B-SF-2L/SC-PG21	111 616 241 1502
2PG21	EMC.H24B-SF-2L/SC-2PG21	111 616 241 1503

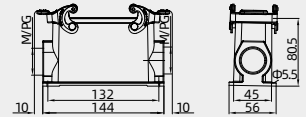


H

## Hoods, side entry, high construction



Thread	Designation	Order No.
M32	EMC.H24B-SFH-2L/SC-M32	111 624 241 5501
2M32	EMC.H24B-SFH-2L/SC-2M32	111 624 241 5502
M40	EMC.H24B-SFH-2L/SC-M40	111 624 241 5503
2M40	EMC.H24B-SFH-2L/SC-2M40	111 624 241 5504
PG21	EMC.H24B-SFH-2L/SC-PG21	111 624 241 5505
2PG21	EMC.H24B-SFH-2L/SC-2PG21	111 624 241 5506
PG29	EMC.H24B-SFH-2L/SC-PG29	111 624 241 5507
2PG29	EMC.H24B-SFH-2L/SC-2PG29	111 624 241 5508



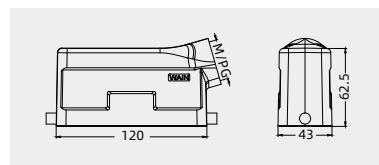
## 24B Metal hoods/housings

Degree of protection: IP67 Remark: SPQ is 1pc

## Hoods, side entry



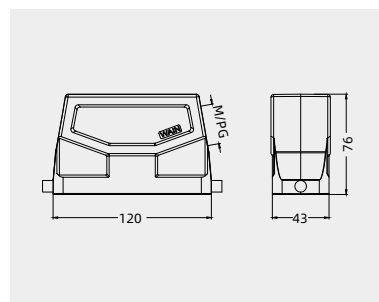
Thread	Designation	Order No.
M25	W24B-SE-2B-M25	111 124 510 1001
M32	W24B-SE-2B-M32	111 124 510 1002
PG21	W24B-SE-2B-PG21	111 124 510 1003



## Hoods, side entry, high construction



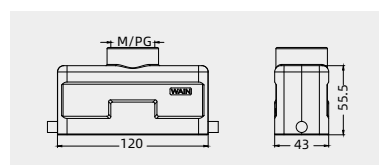
Thread	Designation	Order No.
---	W24B-BEH-2B	111 124 910 5002
M32	W24B-SEH-2B-M32	111 124 510 5001
M40	W24B-SEH-2B-M40	111 124 510 5002
PG21	W24B-SEH-2B-PG21	111 124 510 5003
PG29	W24B-SEH-2B-PG29	111 124 510 5004
	with sleeve	
M32	W24B-SEH-2B-M32 <span style="color: blue;">WS</span>	111 124 515 5004
PG21	W24B-SEH-2B-PG21 <span style="color: blue;">WS</span>	111 124 515 5011
PG29	W24B-SEH-2B-PG29 <span style="color: blue;">WS</span>	111 124 515 5012



## Hoods, top entry



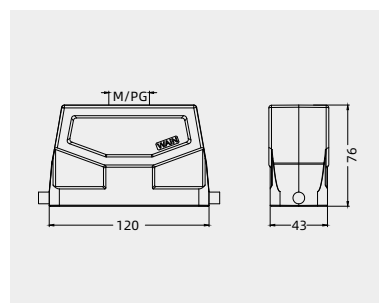
Thread	Designation	Order No.
M25	W24B-TE-2B-M25	111 124 410 1001
M32	W24B-TE-2B-M32	111 124 410 1002
PG21	W24B-TE-2B-PG21	111 124 410 1003
PG29	W24B-TE-2B-PG29	111 124 410 1004



## Hoods, top entry, high construction



Thread	Designation	Order No.
---	W24B-BEH-2B	111 124 910 5002
M32	W24B-TEH-2B-M32	111 124 410 5001
M40	W24B-TEH-2B-M40	111 124 410 5002
PG21	W24B-TEH-2B-PG21	111 124 410 5003
PG29	W24B-TEH-2B-PG29	111 124 410 5004
	with sleeve	
M32	W24B-TEH-2B-M32 <span style="color: blue;">WS</span>	111 124 415 5004
PG21	W24B-TEH-2B-PG21 <span style="color: blue;">WS</span>	111 124 415 5011
PG29	W24B-TEH-2B-PG29 <span style="color: blue;">WS</span>	111 124 415 5012



24B Metal hoods/housings

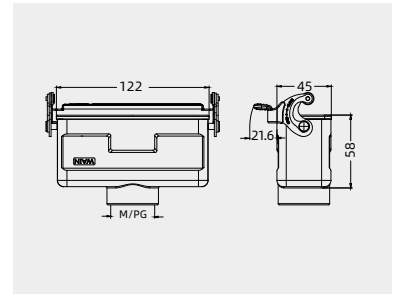
Degree of protection: IP67 Remark: SPQ is 1pc

Housings, cable to cable



Thread	Designation	Order No.
M25	W24B-CCT-1L/SC-M25	111 124 721 1001
M32	W24B-CCT-1L/SC-M32	111 124 721 1002
PG21	W24B-CCT-1L/SC-PG21	111 124 721 1003
PG29	W24B-CCT-1L/SC-PG29	111 124 721 1004

Please refer to page 15-02 for choosing proper model of lock.



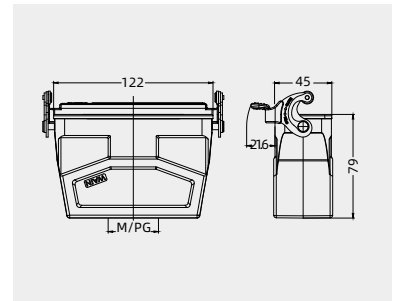
Housings, cable to cable, high construction

H



Thread	Designation	Order No.
M32	W24B-CCTH-1L/SC-M32	111 124 721 5002
M40	W24B-CCTH-1L/SC-M40	111 124 721 5003
PG21	W24B-CCTH-1L/SC-PG21	111 124 721 5004
PG29	W24B-CCTH-1L/SC-PG29	111 124 721 5005
	with sleeve	
M32	W24B-CCTH-1L/SC-M32 WS	111 124 721 5006
PG21	W24B-CCTH-1L/SC-PG21 WS	111 124 721 5011
PG29	W24B-CCTH-1L/SC-PG29 WS	111 124 721 5012

Please refer to page 15-02 for choosing proper model of lock.

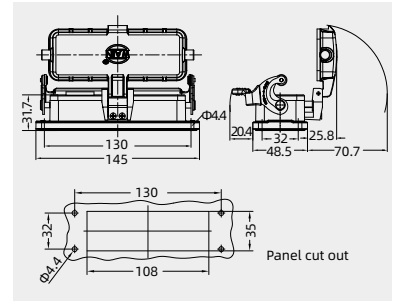


Bulkhead mounted housings



Thread	Designation	Order No.
---	W24B-BK-1L/SC	111 124 321 1001
	with plastic cover	
---	W24B-BK-1L/SC-CV	111 124 321 8001
	with metal cover	
---	W24B-BK-1L/SC-MCV	111 124 321 8002

Please refer to page 15-02 for choosing proper model of lock.



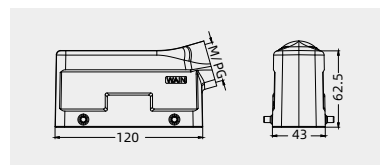
## 24B Metal hoods/housings

Degree of protection: IP67 Remark: SPQ is 1pc

## Hoods, side entry



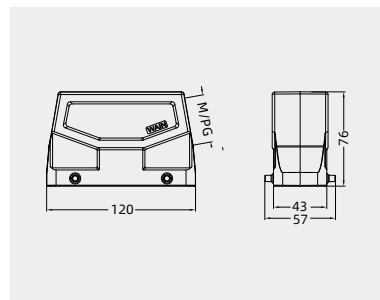
Thread	Designation	Order No.
M25	W24B-SE-4B-M25	111 124 530 1001
M32	W24B-SE-4B-M32	111 124 530 1002
PG21	W24B-SE-4B-PG21	111 124 530 1003



## Hoods, side entry, high construction



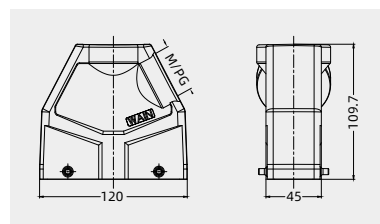
Thread	Designation	Order No.
---	W24B-BEH-4B	111 124 930 5003
M32	W24B-SEH-4B-M32	111 124 530 5001
M40	W24B-SEH-4B-M40	111 124 530 5002
PG21	W24B-SEH-4B-PG21	111 124 530 5003
PG29	W24B-SEH-4B-PG29	111 124 530 5004
	with sleeve	
M32	W24B-SEH-4B-M32 WS	111 124 530 5008
PG21	W24B-SEH-4B-PG21 WS	111 124 530 5011
PG29	W24B-SEH-4B-PG29 WS	111 124 530 5012



## Hoods, side entry, high construction



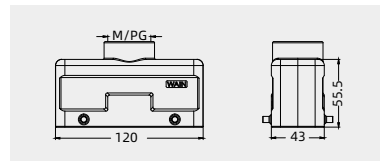
Thread	Designation	Order No.
M50	W24B-SEH-4B-M50	111 124 530 5006
PG36	W24B-SEH-4B-PG36	111 124 530 5013

Suitable for cable with maximum OD  $\Phi$ 32mm

## Hoods, top entry



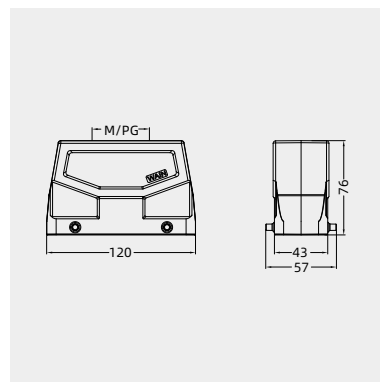
Thread	Designation	Order No.
M25	W24B-TE-4B-M25	111 124 430 1001
M32	W24B-TE-4B-M32	111 124 430 1002
PG21	W24B-TE-4B-PG21	111 124 430 1003
PG29	W24B-TE-4B-PG29	111 124 430 1004



## Hoods, top entry, high construction



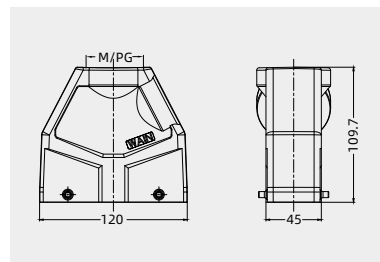
Thread	Designation	Order No.
---	W24B-BEH-4B	111 124 930 5003
M32	W24B-TEH-4B-M32	111 124 430 5001
M40	W24B-TEH-4B-M40	111 124 430 5002
PG21	W24B-TEH-4B-PG21	111 124 430 5003
PG29	W24B-TEH-4B-PG29	111 124 430 5004
2M32	W24B-TEH-4B-2M32	111 124 430 5005
	with sleeve	
M32	W24B-TEH-4B-M32 WS	111 124 430 5014
PG21	W24B-TEH-4B-PG21 WS	111 124 430 5011
PG29	W24B-TEH-4B-PG29 WS	111 124 430 5010



## Hoods, top entry, high construction



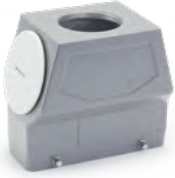
Thread	Designation	Order No.
M50	W24B-TEH-4B-M50	111 124 430 5006
PG36	W24B-TEH-4B-PG36	111 124 430 5013

Suitable for cable with maximum OD  $\Phi$ 32mm

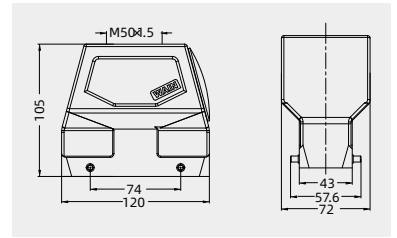
## 24B Metal hoods/housings

Degree of protection: IP67 Remark: SPQ is 1pc

## Hoods, top entry, high construction



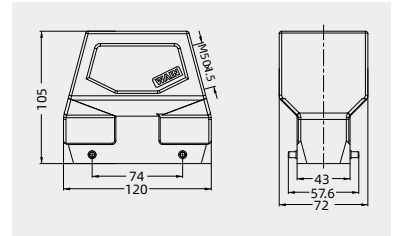
Thread	Designation	Order No.
M50	W24B.C-TEH/E-4B-M50	111 124 430 5007



## Hoods, side entry, high construction



Thread	Designation	Order No.
M50	W24B.C-SEH/E-4B-M50	111 124 530 5005



24B Metal hoods/housings

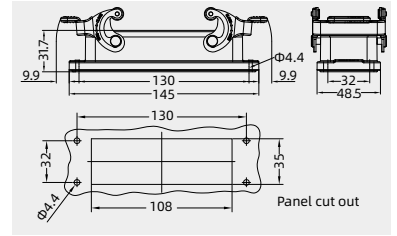
Degree of protection: IP67 Remark: SPQ is 1pc

Bulkhead mounted housings



Thread	Designation	Order No.
---	W24B-BK-2L/SC	111 124 341 1002

Please refer to page 15-02 for choosing proper model of lock.

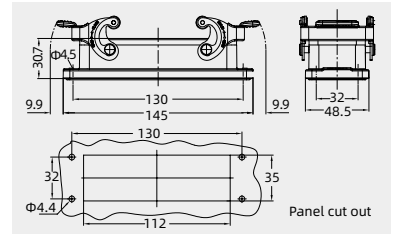


Bulkhead Mounted Housings  
(Assemble the inserts in reverse direction)



Thread	Designation	Order No.
---	W24B-RBK-2L/SC	111 124 341 1003

Please refer to page 15-02 for choosing proper model of lock.

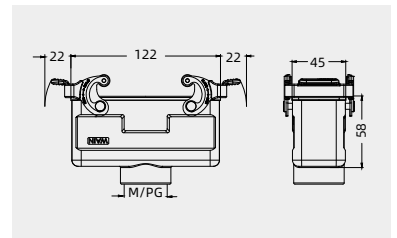


Housings, cable to cable



Thread	Designation	Order No.
M25	W24B-CCT-2L/SC-M25	111 124 741 1001
M32	W24B-CCT-2L/SC-M32	111 124 741 1002
PG21	W24B-CCT-2L/SC-PG21	111 124 741 1003
PG29	W24B-CCT-2L/SC-PG29	111 124 741 1004

Please refer to page 15-02 for choosing proper model of lock.

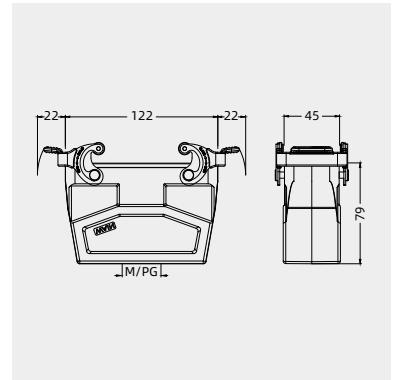


Housings, cable to cable, high construction



Thread	Designation	Order No.
M32	W24B-CCTH-2L/SC-M32	111 124 741 5002
M40	W24B-CCTH-2L/SC-M40	111 124 741 5003
PG21	W24B-CCTH-2L/SC-PG21	111 124 741 5004
PG29	W24B-CCTH-2L/SC-PG29	111 124 741 5005
	with sleeve	
M32	W24B-CCTH-2L/SC-M32 WS	111 124 741 5010
PG21	W24B-CCTH-2L/SC-PG21 WS	111 124 741 5011
PG29	W24B-CCTH-2L/SC-PG29 WS	111 124 741 5012

Please refer to page 15-02 for choosing proper model of lock.

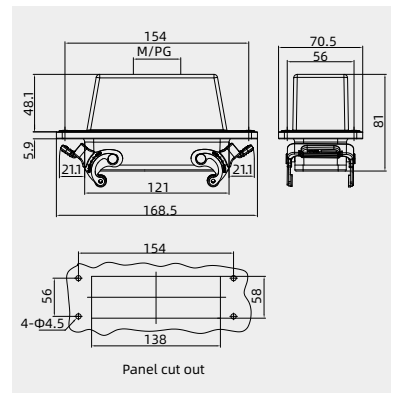


Housings, cable to cable, high construction, Under-shell through-board installation



Thread	Designation	Order No.
M32	W24B-CCTH/BK-2L/SC-M32	111 124 741 5503
M40	W24B-CCTH/BK-2L/SC-M40	111 124 741 5507
PG21	W24B-CCTH/BK-2L/SC-PG21	111 124 741 5512
PG29	W24B-CCTH/BK-2L/SC-PG29	111 124 741 5513

Please refer to page 15-02 for choosing proper model of lock.



24B Metal hoods/housings

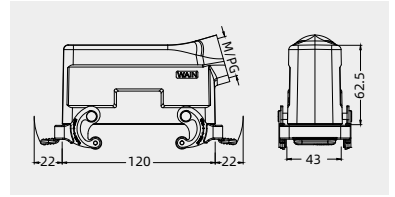
Degree of protection: IP67 Remark: SPQ is 1pc

Hoods, side entry



Thread	Designation	Order No.
M25	W24B-SE-2L/SC-M25	111 124 541 1001
M32	W24B-SE-2L/SC-M32	111 124 541 1002
PG21	W24B-SE-2L/SC-PG21	111 124 541 1003

Please refer to page 15-02 for choosing proper model of lock.

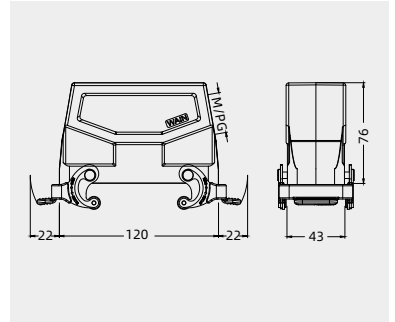


Hoods, side entry, high construction



Thread	Designation	Order No.
M32	W24B-SEH-2L/SC-M32	111 124 541 5001
M40	W24B-SEH-2L/SC-M40	111 124 541 5002
PG21	W24B-SEH-2L/SC-PG21	111 124 541 5003
PG29	W24B-SEH-2L/SC-PG29	111 124 541 5004
M32	W24B-SEH-2L/SC-M32 WS	111 124 541 5005
PG21	W24B-SEH-2L/SC-PG21 WS	111 124 541 5011
PG29	W24B-SEH-2L/SC-PG29 WS	111 124 541 5012

Please refer to page 15-02 for choosing proper model of lock.

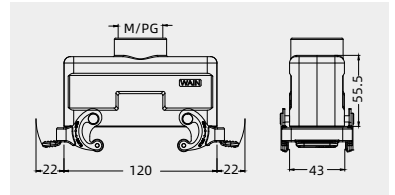


Hoods, top entry



Thread	Designation	Order No.
M25	W24B-TE-2L/SC-M25	111 124 441 1001
M32	W24B-TE-2L/SC-M32	111 124 441 1002
PG21	W24B-TE-2L/SC-PG21	111 124 441 1003
PG29	W24B-TE-2L/SC-PG29	111 124 441 1004

Please refer to page 15-02 for choosing proper model of lock.

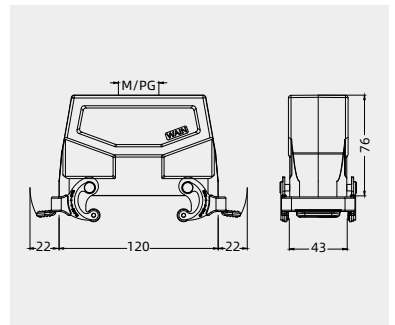


Hoods, top entry, high construction



Thread	Designation	Order No.
M32	W24B-TEH-2L/SC-M32	111 124 441 5001
M40	W24B-TEH-2L/SC-M40	111 124 441 5002
PG21	W24B-TEH-2L/SC-PG21	111 124 441 5003
PG29	W24B-TEH-2L/SC-PG29	111 124 441 5004
M32	W24B-TEH-2L/SC-M32 WS	111 124 441 5006
PG21	W24B-TEH-2L/SC-PG21 WS	111 124 441 5011
PG29	W24B-TEH-2L/SC-PG29 WS	111 124 441 5012

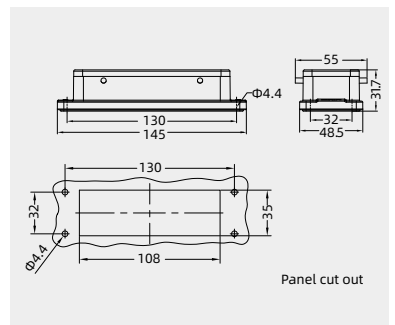
Please refer to page 15-02 for choosing proper model of lock.



Bulkhead mounted housings



Thread	Designation	Order No.
---	W24B-BK-4B	111 124 330 1001



Panel cut out

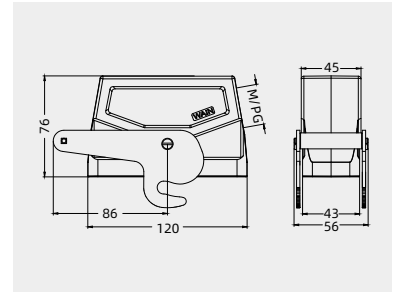
24B Metal hoods/housings

Degree of protection: IP67 Remark: SPQ is 1pc

Hoods, side entry, high construction



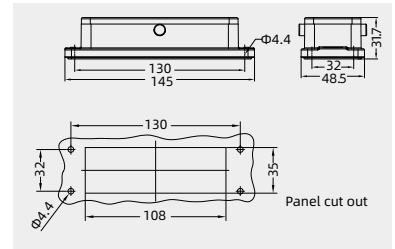
Thread	Designation	Order No.
M25	W24B-SEH-1L/C-M25	111 124 550 5001
M32	W24B-SEH-1L/C-M32	111 124 550 5002
M40	W24B-SEH-1L/C-M40	111 124 550 5003
PG21	W24B-SEH-1L/C-PG21	111 124 550 5004
PG29	W24B-SEH-1L/C-PG29 with sleeve	111 124 550 5005
M32	W24B-SEH-1L/C-M32 <a href="#">WS</a>	111 124 555 5004
PG21	W24B-SEH-1L/C-PG21 <a href="#">WS</a>	111 124 555 5011
PG29	W24B-SEH-1L/C-PG29 <a href="#">WS</a>	111 124 555 5012



Bulkhead mounted housings



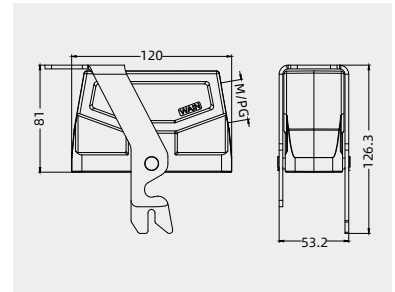
Thread	Designation	Order No.
---	W24B-BK-2B/C	111 024 350 1001



Hoods, side entry, high construction



Thread	Designation	Order No.
M40	W24B-SEH-1L/B-M40	111 124 529 5001
PG29	W24B-SEH-1L/B-PG29 with sleeve	111 124 529 5002
M32	W24B-SEH-1L/B-M32 <a href="#">WS</a>	111 124 529 5005
PG21	W24B-SEH-1L/B-PG21 <a href="#">WS</a>	111 124 529 5004
PG29	W24B-SEH-1L/B-PG29 <a href="#">WS</a>	111 124 525 5112



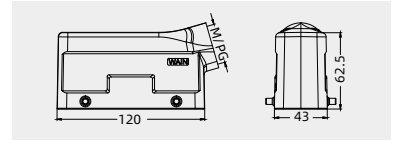
## 24B Metal hoods/housings -Suitable for harsh environment(anti-corrosion)

Degree of protection: IP67 Remark: SPQ is 1pc

### Hoods, side entry



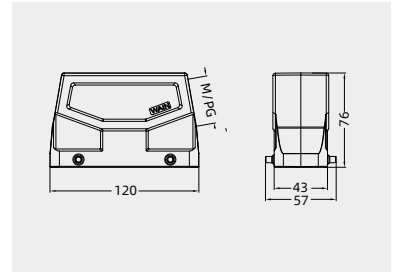
Thread	Designation	Order No.
M25	W24B-MSE-4B-M25	112 124 530 1001
M32	W24B-MSE-4B-M32	112 124 530 1004
PG21	W24B-MSE-4B-PG21	112 124 530 1002



### Hoods, side entry, high construction



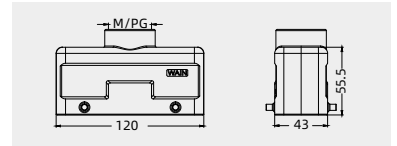
Thread	Designation	Order No.
M32	W24B-MSEH-4B-M32	112 124 530 5005
M40	W24B-MSEH-4B-M40	112 124 530 5006
PG21	W24B-MSEH-4B-PG21	112 124 530 5011
PG29	W24B-MSEH-4B-PG29	112 124 530 5007
	with sleeve	
M32	W24B-MSEH-4B-M32 WS	112 124 530 5004
PG21	W24B-MSEH-4B-PG21 WS	112 124 530 5013
PG29	W24B-MSEH-4B-PG29 WS	112 124 530 5012



### Hoods, top entry



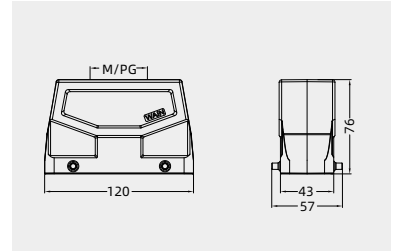
Thread	Designation	Order No.
M25	W24B-MTE-4B-M25	112 124 530 1003
M32	W24B-MTE-4B-M32	112 124 430 1005
PG21	W24B-MTE-4B-PG21	112 124 430 1004
PG29	W24B-MTE-4B-PG29	112 124 430 1003



### Hoods, top entry, high construction



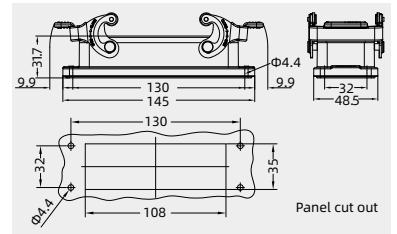
Thread	Designation	Order No.
M32	W24B-MTEH-4B-M32	112 124 430 5006
M40	W24B-MTEH-4B-M40	112 124 430 5007
PG21	W24B-MTEH-4B-PG21	112 124 430 5011
PG29	W24B-MTEH-4B-PG29	112 124 430 5008
	with sleeve	
M32	W24B-MTEH-4B-M32 WS	112 124 430 5004
PG21	W24B-MTEH-4B-PG21 WS	112 124 430 5010
PG29	W24B-MTEH-4B-PG29 WS	112 124 430 5012



### Bulkhead mounted housings



Thread	Designation	Order No.
---	W24B-MBK-2L/SC	112 124 311 1001

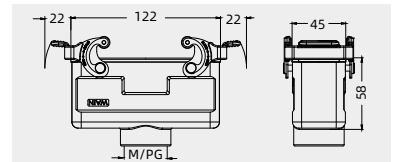


### Housings, cable to cable



Thread	Designation	Order No.
M25	W24B-MCCT-2L/SC-M25	112 124 741 1003
M32	W24B-MCCT-2L/SC-M32	112 124 741 1004
PG21	W24B-MCCT-2L/SC-PG21	112 124 741 1005
PG29	W24B-MCCT-2L/SC-PG29	112 124 741 1006

Please refer to page 15-02 for choosing proper model of lock.

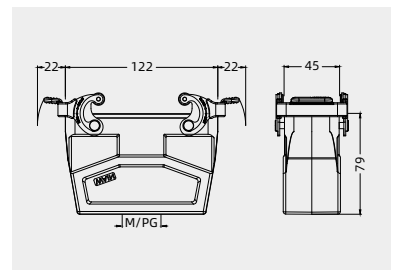


### Housings, cable to cable, high construction



Thread	Designation	Order No.
M32	W24B-MCCTH-2L/SC-M32	112 124 741 5004
M40	W24B-MCCTH-2L/SC-M40	112 124 741 5005
PG21	W24B-MCCTH-2L/SC-PG21	112 124 741 5011
PG29	W24B-MCCTH-2L/SC-PG29	112 124 741 5012
	with sleeve	
M32	W24B-MCCTH-2L/SC-M32 WS	112 124 741 5003
PG21	W24B-MCCTH-2L/SC-PG21 WS	112 124 741 5001
PG29	W24B-MCCTH-2L/SC-PG29 WS	112 124 741 5002

Please refer to page 15-02 for choosing proper model of lock.



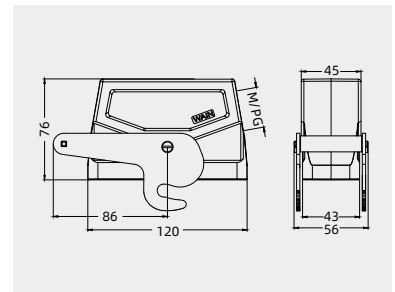
24B Metal hoods/housings  
-Suitable for harsh environment(anti-corrosion)

Degree of protection: IP67 Remark: SPQ is 1pc

Hoods, side entry, high construction



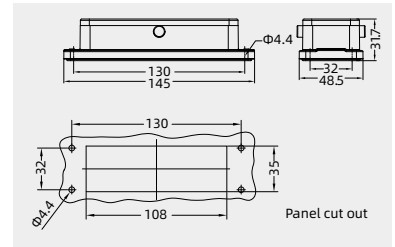
Thread	Designation	Order No.
M32	W24B-MSEH-1L/C-M32	112 124 550 5006
PG21	W24B-MSEH-1L/C-PG21	112 124 555 5011
PG29	W24B-MSEH-1L/C-PG29 with sleeve	112 124 550 5007
M32	W24B-MSEH-1L/C-M32 <b>WS</b>	112 124 555 5004
PG21	W24B-MSEH-1L/C-PG21 <b>WS</b>	112 124 555 5013
PG29	W24B-MSEH-1L/C-PG29 <b>WS</b>	112 124 555 5012



Bulkhead mounted housings



Thread	Designation	Order No.
---	W24B-MBK-2B/C	112 124 350 1001



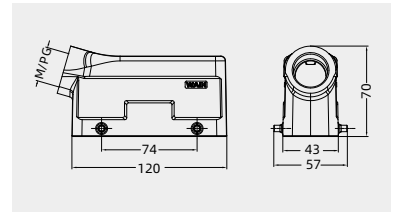
## 24B EMC Metal hoods/housings

Degree of protection: IP67 Remark: SPQ is 1pc

## Hoods, side entry



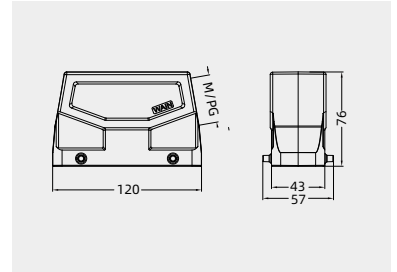
Thread	Designation	Order No.
M25	EMC.W24B-SE-4B-M25	111 224 530 1001
M32	EMC.W24B-SE-4B-M32	111 224 530 1002
PG21	EMC.W24B-SE-4B-PG21	111 224 530 1003



## Hoods, side entry, high construction



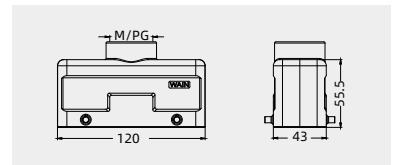
Thread	Designation	Order No.
---	EMC.W24B-BEH-4B	111 224 930 5004
M32	EMC.W24B-SEH-4B-M32	111 224 530 5008
M40	EMC.W24B-SEH-4B-M40	111 224 530 5009
PG21	EMC.W24B-SEH-4B-PG21	111 224 530 5006
PG29	EMC.W24B-SEH-4B-PG29	111 224 530 5010
	with sleeve	
M32	EMC.W24B-SEH-4B-M32 <i>WS</i>	111 124 535 5501
PG21	EMC.W24B-SEH-4B-PG21 <i>WS</i>	111 224 535 5001
PG29	EMC.W24B-SEH-4B-PG29 <i>WS</i>	111 124 535 5013



## Hoods, top entry



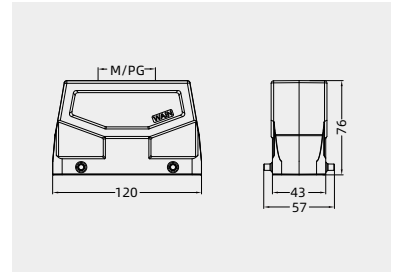
Thread	Designation	Order No.
M25	EMC.W24B-TE-4B-M25	111 224 430 1001
M32	EMC.W24B-TE-4B-M32	111 224 430 1002
PG21	EMC.W24B-TE-4B-PG21	111 224 430 1003
PG29	EMC.W24B-TE-4B-PG29	111 224 430 1004



## Hoods, top entry, high construction



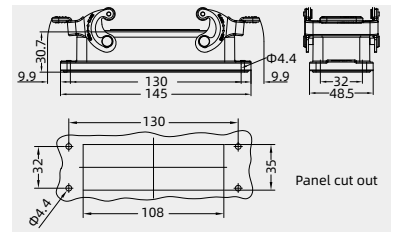
Thread	Designation	Order No.
---	EMC.W24B-BEH-4B	111 224 930 5004
M32	EMC.W24B-TEH-4B-M32	111 224 430 5009
M40	EMC.W24B-TEH-4B-M40	111 224 430 5010
PG21	EMC.W24B-TEH-4B-PG21	111 224 430 5001
PG29	EMC.W24B-TEH-4B-PG29	111 224 430 5011
	with sleeve	
M32	EMC.W24B-TEH-4B-M32 <i>WS</i>	111 124 435 5501
PG21	EMC.W24B-TEH-4B-PG21 <i>WS</i>	111 124 435 5502
PG29	EMC.W24B-TEH-4B-PG29 <i>WS</i>	111 124 435 5015



## Bulkhead mounted housings



Thread	Designation	Order No.
---	EMC1.W24B-BK-2L/SC	111 124 341 1001



Please refer to page 15-02 for choosing proper model of lock.



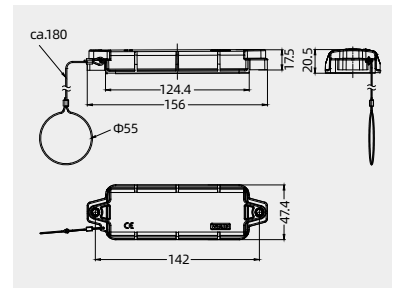
## 24B Pressure tight hoods/housings

Degree of protection: IP68/IP69K Remark: SPQ is 1pc

W version

Protection covers, plastic,  
for hoods

Connect way	Designation	Order No.
---	HP24B-CV-2H/1	115 024 020 8500



## 24B Pressure tight hoods/housings

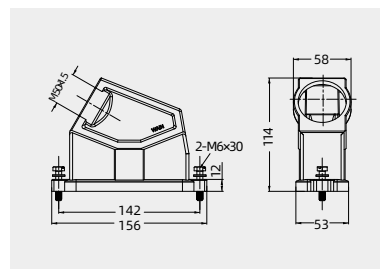
Degree of protection: IP68/IP69K Remark: SPQ is 1pc

W version

Hoods, side entry, high construction



Thread	Designation	Order No.
M50	HP24B-SEHH-2S-M50	115 024 520 5106

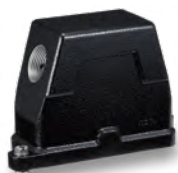


## 24B Pressure tight hoods/housings

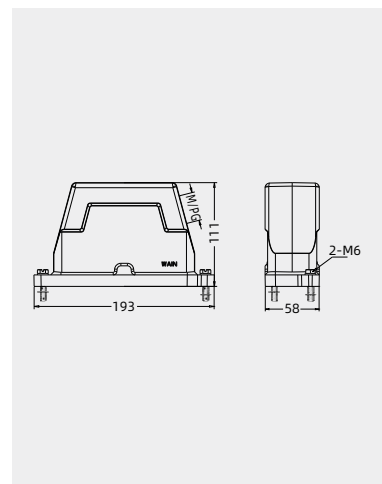
Degree of protection: IP68/IP69K Remark: SPQ is 1pc

H version

## Hoods, side entry, high construction



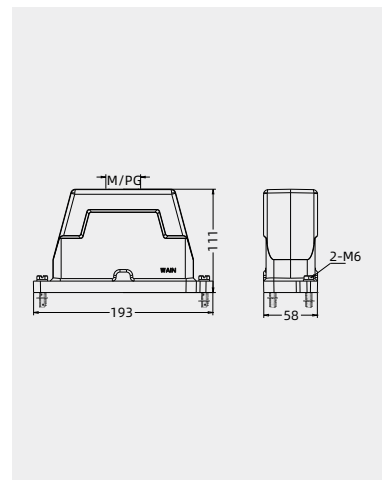
Thread	Designation	Order No.
	Screw locking	
M25	HP24B/H-SEH-2S-M25	113 624 520 5003
M32	HP24B/H-SEH-2S-M32	113 624 520 5004
M40	HP24B/H-SEH-2S-M40	113 624 520 5005
M50	HP24B/H-SEH-2S-M50	113 624 520 5006
PG21	HP24B/H-SEH-2S-PG21	113 624 520 5011
PG29	HP24B/H-SEH-2S-PG29	113 624 520 5012
PG36	HP24B/H-SEH-2S-PG36	113 624 520 5013
	Toggle locking	
M25	HP24B/H-SEH-2T-M25	113 624 540 5003
M32	HP24B/H-SEH-2T-M32	113 624 540 5004
M40	HP24B/H-SEH-2T-M40	113 624 540 5005
M50	HP24B/H-SEH-2T-M50	113 624 540 5006
PG21	HP24B/H-SEH-2T-PG21	113 624 540 5011
PG29	HP24B/H-SEH-2T-PG29	113 624 540 5012
PG36	HP24B/H-SEH-2T-PG36	113 624 540 5013



## Hoods, top entry, high construction



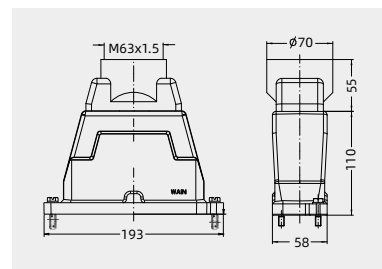
Thread	Designation	Order No.
	Screw locking	
M25	HP24B/H-TEH-2S-M25	113 624 420 5003
M32	HP24B/H-TEH-2S-M32	113 624 420 5004
M40	HP24B/H-TEH-2S-M40	113 624 420 5005
M50	HP24B/H-TEH-2S-M50	113 624 420 5006
PG21	HP24B/H-TEH-2S-PG21	113 624 420 5011
PG29	HP24B/H-TEH-2S-PG29	113 624 420 5012
PG36	HP24B/H-TEH-2S-PG36	113 624 420 5013
	Toggle locking	
M25	HP24B/H-TEH-2T-M25	113 624 440 5003
M32	HP24B/H-TEH-2T-M32	113 624 440 5004
M40	HP24B/H-TEH-2T-M40	113 624 440 5005
M50	HP24B/H-TEH-2T-M50	113 624 440 5006
PG21	HP24B/H-TEH-2T-PG21	113 624 440 5011
PG29	HP24B/H-TEH-2T-PG29	113 624 440 5012
PG36	HP24B/H-TEH-2T-PG36	113 624 440 5013



## Hoods, top entry, high construction



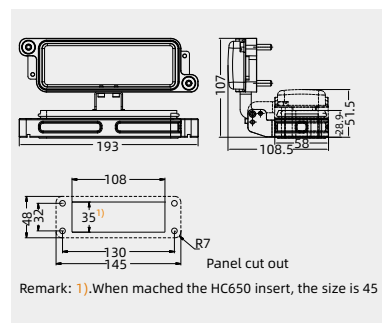
Thread	Designation	Order No.
	Screw locking	
M63	HP24B/H-TEH-2S-M63	113 624 420 5007
	Toggle locking	
M63	HP24B/H-TEH-2T-M63	113 624 440 5007



## Bulkhead mounted housings



Thread	Designation	Order No.
	Screw locking	
---	HP24B/H-BK-2H	113 624 320 1001
	Toggle locking	
---	HP24B/H-BK-2T	113 624 340 1001
	with metal cover	
	Screw locking	
---	HP24B/H-BK-2H-MCV	113 624 360 1001
	Toggle locking	
---	HP24B/H-BK-2T-MCV	113 624 370 1001



Remark: 1) When machined the HC650 insert, the size is 45

## 24B Pressure tight hoods/housings

Degree of protection: IP68/IP69K

Remark: SPQ is 1pc

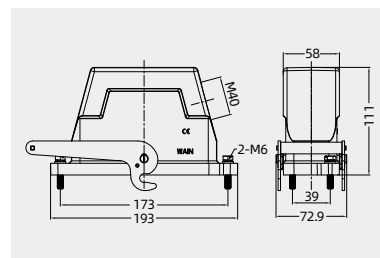
H version

### Hoods, side entry, high construction



Thread	Designation	Order No.
M40	HP24B/H-SEH-2S-1L/C-M40	113 624 520 5509

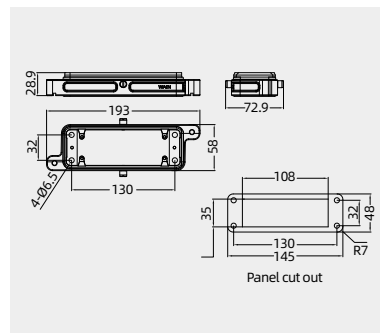
Other outlet hole threads available



### Bulkhead mounted housings



Thread	Designation	Order No.
---	HP24B/H-BK-2H-2B/C	113 624 320 1500



24B Pressure tight hoods/housings

Degree of protection: IP68/IP69K

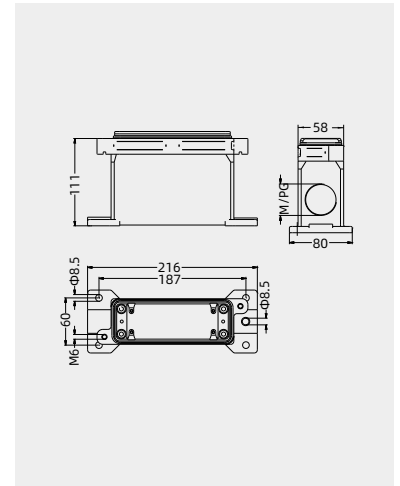
Remark: SPQ is 1pc

H version

Surface mounted housings, high construction



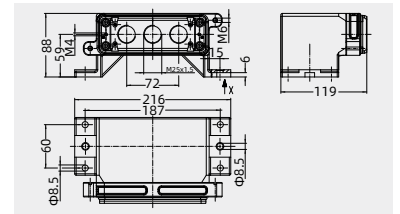
Thread	Designation	Order No.
	Screw locking	
M25	HP24B/H-SFH-2H-M25	113 624 220 5003
M32	HP24B/H-SFH-2H-M32	113 624 220 5004
M40	HP24B/H-SFH-2H-M40	113 624 220 5005
2M40	HP24B/H-SFH-2H-2M40	113 624 220 5025
PG21	HP24B/H-SFH-2H-PG21	113 624 220 5011
PG29	HP24B/H-SFH-2H-PG29	113 624 220 5012
PG36	HP24B/H-SFH-2H-PG36	113 624 220 5013
	Toggle locking	
M25	HP24B/H-SFH-2T-M25	113 624 240 5003
M32	HP24B/H-SFH-2T-M32	113 624 240 5004
M40	HP24B/H-SFH-2T-M40	113 624 240 5005
2M40	HP24B/H-SFH-2T-2M40	113 624 240 5025
PG21	HP24B/H-SFH-2T-PG21	113 624 240 5011
PG29	HP24B/H-SFH-2T-PG29	113 624 240 5012
PG36	HP24B/H-SFH-2T-PG36	113 624 240 5013



Surface mounted housings



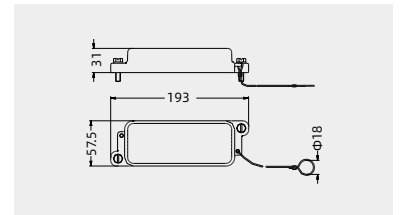
Thread	Designation	Order No.
	Screw locking	
3M25	HP24B/H-BK-SE-2H-3M25	113 624 920 1036
	Toggle locking	
3M25	HP24B/H-BK-SE-2T-3M25	113 624 940 1036



Protection covers, for housings



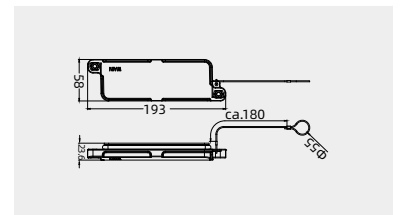
Connect way	Designation	Order No.
	Screw locking	
	HP24B/H-MCV-2S	113 624 020 8101
	Toggle locking	
	HP24B/H-MCV-2T	113 624 040 8103



Protection covers, for hoods



Connect way	Designation	Order No.
	Screw locking	
	HP24B/H-MCV-2H/1	113 624 020 8111
	Toggle locking	
	HP24B/H-MCV-2T/1	113 624 040 8101

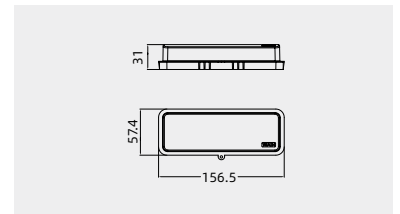


Protection covers, for housings(IP5X)

Remark: SPQ is 10pcs



Connect way	Designation	Order No.
---	HP24B/H-CV/C	113 024 900 8001



24B Pressure tight hoods/housings

Degree of protection: IP68/IP69K

The following hoods/housings comply with the standards for rail transport industry in China.

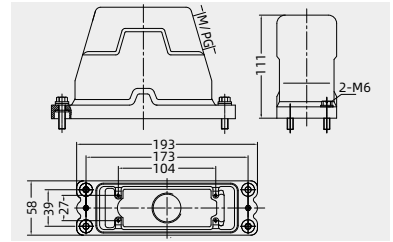
Remark: SPQ is 1pc

H version

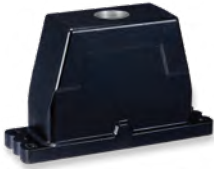
Hoods, side entry, high construction



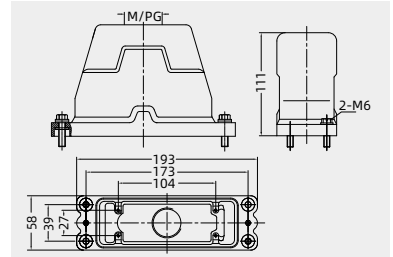
Thread	Designation	Order No.
M25	HP24B/H-SEH-4S-M25	113 624 530 5003
M32	HP24B/H-SEH-4S-M32	113 624 530 5004
M40	HP24B/H-SEH-4S-M40	113 624 530 5005
PG21	HP24B/H-SEH-4S-PG21	113 624 530 5011
PG29	HP24B/H-SEH-4S-PG29	113 624 530 5012



Hoods, top entry, high construction



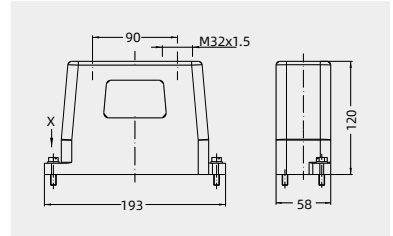
Thread	Designation	Order No.
M25	HP24B/H-TEH-4S-M25	113 624 430 5003
M32	HP24B/H-TEH-4S-M32	113 624 430 5004
M40	HP24B/H-TEH-4S-M40	113 624 430 5005
M50	HP24B/H-TEH-4S-M50	113 624 430 5006
PG21	HP24B/H-TEH-4S-PG21	113 624 430 5011
PG29	HP24B/H-TEH-4S-PG29	113 624 430 5012
PG36	HP24B/H-TEH-4S-PG36	113 624 430 5013



Hoods, top entry, high construction



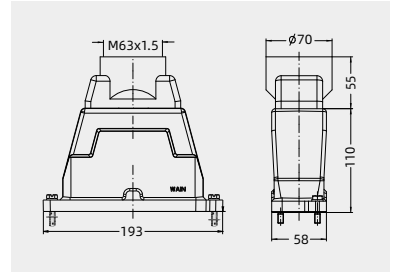
Thread	Designation	Order No.
3M32	HP24B/H-TEHH-4S-3M32	113 624 430 5037



Hoods, top entry, high construction



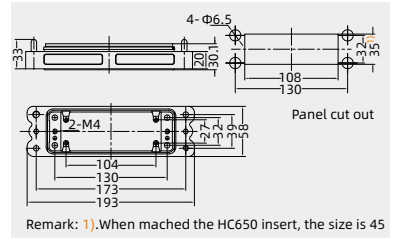
Thread	Designation	Order No.
M63	HP24B/H-TEH-4S-M63	113 624 430 5007



Bulkhead mounted housings



Connect way	Designation	Order No.
---	HP24B/H-BK-4H	113 624 330 1001



Remark: 1) When matched the HC650 insert, the size is 45

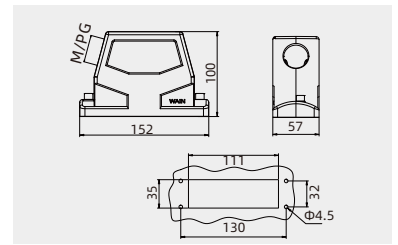
## 24B Pressure tight hoods/housings

Degree of protection: IP68/IP69K Remark: SPQ is 1pc

## Hoods, side entry, high construction



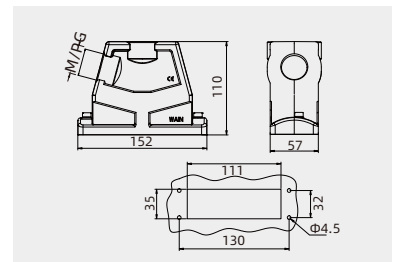
Thread	Designation	Order No.
M32	HC24B-SEH-2S-M32	114 024 520 5004
M40	HC24B-SEH-2S-M40	114 024 520 5005
PG21	HC24B-SEH-2S-PG21	114 024 520 5011
PG29	HC24B-SEH-2S-PG29	114 024 520 5012



## Hoods, side entry, high construction



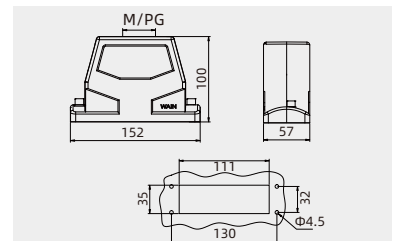
Thread	Designation	Order No.
M32	HC24B-SEHH-2S-M32	130 024 520 1003
M40	HC24B-SEHH-2S-M40	130 024 520 1005
M50	HC24B-SEHH-2S-M50	130 024 520 1001
PG21	HC24B-SEHH-2S-PG21	130 024 520 1007
PG29	HC24B-SEHH-2S-PG29	130 024 520 1009



## Hoods, top entry, high construction



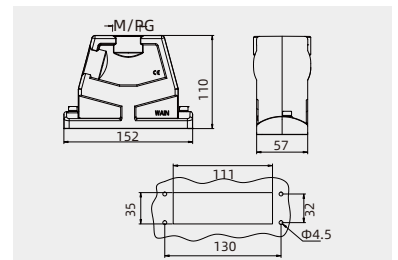
Thread	Designation	Order No.
M32	HC24B-TEH-2S-M32	114 024 420 5004
M40	HC24B-TEH-2S-M40	114 024 420 5005
PG21	HC24B-TEH-2S-PG21	114 024 420 5011
PG29	HC24B-TEH-2S-PG29	114 024 420 5012



## Hoods, top entry, high construction



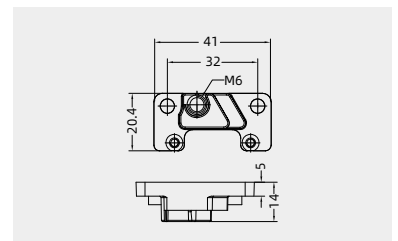
Thread	Designation	Order No.
M32	HC24B-TEHH-2S-M32	130 024 420 1003
M40	HC24B-TEHH-2S-M40	130 024 420 1005
M50	HC24B-TEHH-2S-M50	130 024 420 1001
PG21	HC24B-TEHH-2S-PG21	130 024 420 1007
PG29	HC24B-TEHH-2S-PG29	130 024 420 1009



## Mounting flange



Applications	Designation	Order No.
for integral type hoods	APT-C	114 000 000 1001

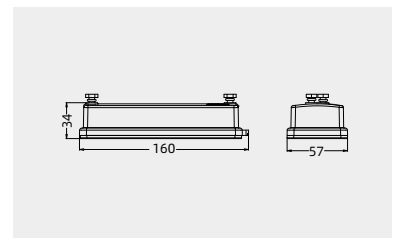


## Protection covers, plastic

Degree of protection: IP65



Thread	Designation	Order No.
---	HC24B-CV-2S/2	130 024 020 8001



24B Pressure tight hoods/housings

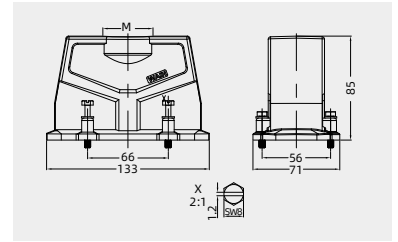
Degree of protection: IP68/IP69K Remark: SPQ is 1pc

EMC Pressure tight hoods/housings

Hoods, top entry, high construction



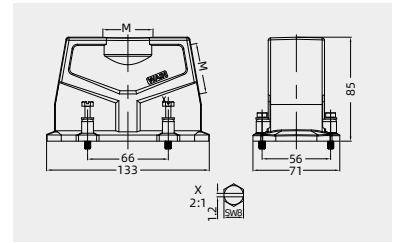
Thread	Designation	Order No.
M25	EMC.W24B-TEH-4S-M32	111 124 430 5012
M32	EMC.W24B-TEH-4S-M40	111 224 430 1005
PG21	EMC.W24B-TEH-4S-PG21	111 224 430 1006
PG29	EMC.W24B-TEH-4S-PG29	111 224 430 1007



Hoods, side entry, high construction



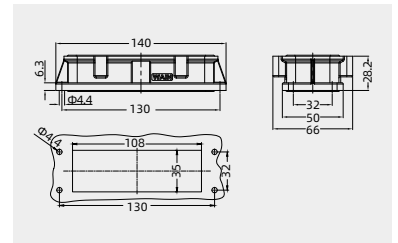
Thread	Designation	Order No.
M25	EMC.W24B-SEH-4S-M32	111 224 530 5002
M32	EMC.W24B-SEH-4S-M40	111 224 530 5003
PG21	EMC.W24B-SEH-4S-PG21	111 224 530 5004
PG29	EMC.W24B-SEH-4S-PG29	111 224 530 5005



Bulkhead mounted housings



Thread	Designation	Order No.
---	EMC.W24B-BK-4H	111 224 330 1001



## 24B Metal hoods/housings - for high voltage inserts(HVE Series)

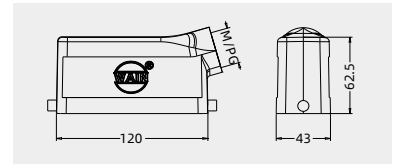
Degree of protection: IP65

Remark: SPQ is 1pc

### Hoods, side entry



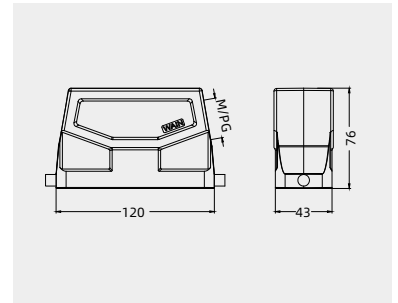
Thread	Designation	Order No.
M25	HV24B-SE-2B-M25	124 024 515 1003
M32	HV24B-SE-2B-M32	124 024 515 1004
PG21	HV24B-SE-2B-PG21	124 024 515 1011



### Hoods, side entry, high construction



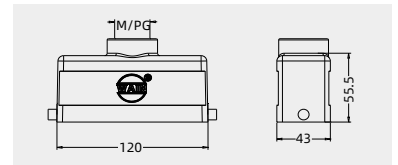
Thread	Designation	Order No.
M32	WV24B-SEH-2B-M32	124 124 510 5001
M40	WV24B-SEH-2B-M40	124 124 510 5002
PG21	WV24B-SEH-2B-PG21	124 124 510 5003
PG29	WV24B-SEH-2B-PG29	124 124 510 5004
	with sleeve	
M32	WV24B-SEH-2B-M32 WS	124 124 515 5004
PG21	WV24B-SEH-2B-PG21 WS	124 124 515 5011
PG29	WV24B-SEH-2B-PG29 WS	124 124 515 5012



### Hoods, top entry



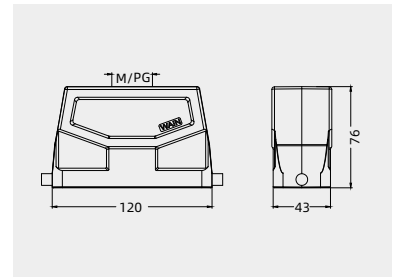
Thread	Designation	Order No.
M25	HV24B-TE-2B-M25	124 024 415 1003
M32	HV24B-TE-2B-M32	124 024 415 1004
PG21	HV24B-TE-2B-PG21	124 024 415 1011



### Hoods, top entry, high construction



Thread	Designation	Order No.
M32	WV24B-TEH-2B-M32	124 124 410 5001
M40	WV24B-TEH-2B-M40	124 124 410 5002
PG21	WV24B-TEH-2B-PG21	124 124 410 5003
PG29	WV24B-TEH-2B-PG29	124 124 410 5004
	with sleeve	
M32	WV24B-TEH-2B-M32 WS	124 124 415 5004
PG21	WV24B-TEH-2B-PG21 WS	124 124 415 5011
PG29	WV24B-TEH-2B-PG29 WS	124 124 415 5012

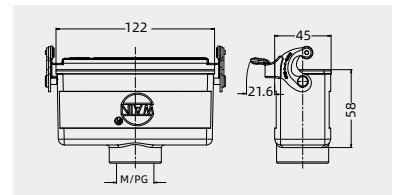


### Housings, cable to cable



Thread	Designation	Order No.
M25	HV24B-CCT-1L/SC-M25	124 024 721 1003
PG21	HV24B-CCT-1L/SC-PG21	124 024 721 1011

Please refer to page 15-02 for choosing proper model of lock.

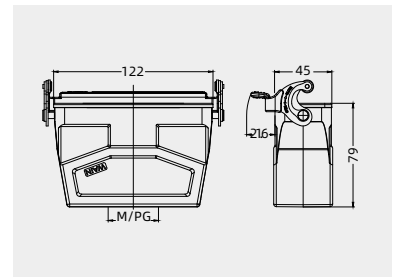


### Housings, cable to cable, high construction



Thread	Designation	Order No.
M32	WV24B-CCTH-1L/SC-M32	124 124 721 5001
M40	WV24B-CCTH-1L/SC-M40	124 124 721 5002
PG21	WV24B-CCTH-1L/SC-PG21	124 124 721 5003
PG29	WV24B-CCTH-1L/SC-PG29	124 124 721 5004
	with sleeve	
M32	WV24B-CCTH-1L/SC-M32 WS	124 124 721 5005
PG21	WV24B-CCTH-1L/SC-PG21 WS	124 124 721 5011
PG29	WV24B-CCTH-1L/SC-PG29 WS	124 124 721 5012

Please refer to page 15-02 for choosing proper model of lock.



24B Metal hoods/housings  
- for high voltage inserts(HVE Series)

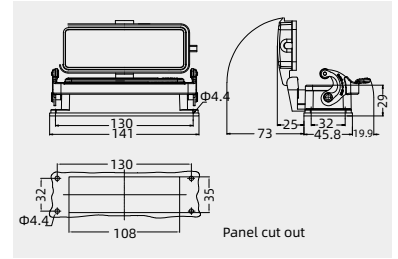
Degree of protection: IP65 Remark: SPQ is 1pc

Bulkhead mounted housings



Thread	Designation	Order No.
---	HV24B-BK-1L/SC	124 024 321 1001
with plastic cover		
---	HV24B-BK-1L/SC-CV	124 024 361 1001
with metal cover		
---	HV24B-BK-1L/SC-MCV	124 024 361 1101

Please refer to page 15-02 for choosing proper model of lock.

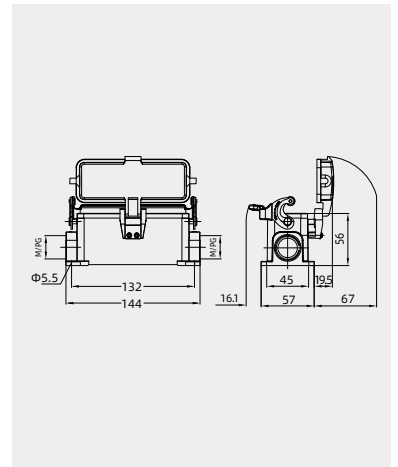


Surface mounted housings



Thread	Designation	Order No.
M25	HV24B-SF-1L/SC-M25	124 024 221 1003
2M25	HV24B-SF-1L/SC-2M25	124 024 221 1023
PG21	HV24B-SF-1L/SC-PG21	124 024 221 1011
2PG21	HV24B-SF-1L/SC-2PG21	124 024 221 1031
with plastic cover		
M25	HV24B-SF-1L/SC-CV-M25	124 024 261 1003
2M25	HV24B-SF-1L/SC-CV-2M25	124 024 261 1023
PG21	HV24B-SF-1L/SC-CV-PG21	124 024 261 1011
2PG21	HV24B-SF-1L/SC-CV-2PG21	124 024 261 1031
with metal cover		
M25	HV24B-SF-1L/SC-MCV-M25	124 024 261 1103
2M25	HV24B-SF-1L/SC-MCV-2M25	124 024 261 1123
PG21	HV24B-SF-1L/SC-MCV-PG21	124 024 261 1111
2PG21	HV24B-SF-1L/SC-MCV-2PG21	124 024 261 1131

Please refer to page 15-02 for choosing proper model of lock.

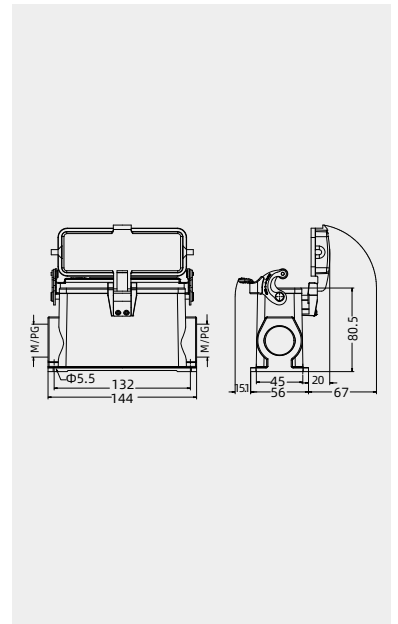


Surface mounted housings, high construction



Thread	Designation	Order No.
M32	HV24B-SFH-1L/SC-M32	124 024 221 5004
2M32	HV24B-SFH-1L/SC-2M32	124 024 221 5024
PG21	HV24B-SFH-1L/SC-PG21	124 024 221 5011
2PG21	HV24B-SFH-1L/SC-2PG21	124 024 221 5031
PG29	HV24B-SFH-1L/SC-PG29	124 024 221 5012
2PG29	HV24B-SFH-1L/SC-2PG29	124 024 221 5032
with plastic cover		
M32	HV24B-SFH-1L/SC-CV-M32	124 024 261 5004
2M32	HV24B-SFH-1L/SC-CV-2M32	124 024 261 5024
PG21	HV24B-SFH-1L/SC-CV-PG21	124 024 261 5011
2PG21	HV24B-SFH-1L/SC-CV-2PG21	124 024 261 5031
PG29	HV24B-SFH-1L/SC-CV-PG29	124 024 261 5012
2PG29	HV24B-SFH-1L/SC-CV-2PG29	124 024 261 5032
with metal cover		
M32	HV24B-SFH-1L/SC-MCV-M32	124 024 261 5104
2M32	HV24B-SFH-1L/SC-MCV-2M32	124 024 261 5124
PG21	HV24B-SFH-1L/SC-MCV-PG21	124 024 261 5111
2PG21	HV24B-SFH-1L/SC-MCV-2PG21	124 024 261 5131
PG29	HV24B-SFH-1L/SC-MCV-PG29	124 024 261 5112
2PG29	HV24B-SFH-1L/SC-MCV-2PG29	124 024 261 5132

Please refer to page 15-02 for choosing proper model of lock.



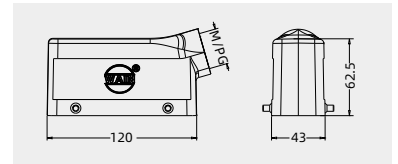
## 24B Metal hoods/housings - for high voltage inserts(HVE Series)

Degree of protection: IP65 Remark: SPQ is 1pc

### Hoods, side entry



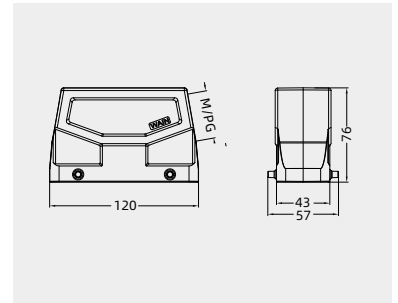
Thread	Designation	Order No.
M25	HV24B-SE-4B-M25	124 024 530 1003
M32	HV24B-SE-4B-M32	124 024 530 1004
PG21	HV24B-SE-4B-PG21	124 024 530 1011



### Hoods, side entry, high construction



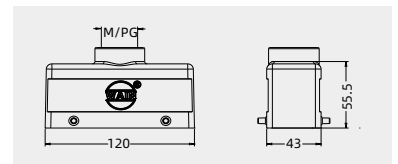
Thread	Designation	Order No.
M32	WV24B-SEH-4B-M32	124 124 530 5001
M40	WV24B-SEH-4B-M40	124 124 530 5002
PG21	WV24B-SEH-4B-PG21	124 124 530 5003
PG29	WV24B-SEH-4B-PG29 with sleeve	124 124 530 5004
M32	WV24B-SEH-4B-M32 <a href="#">WS</a>	124 124 530 5007
PG21	WV24B-SEH-4B-PG21 <a href="#">WS</a>	124 124 530 5011
PG29	WV24B-SEH-4B-PG29 <a href="#">WS</a>	124 124 530 5012



### Hoods, top entry



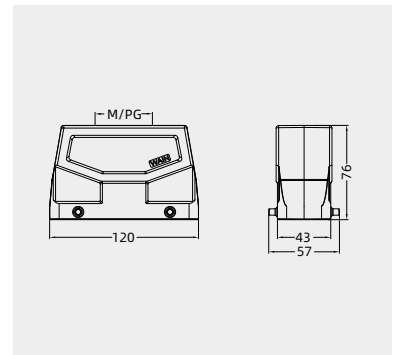
Thread	Designation	Order No.
M25	HV24B-TE-4B-M25	124 024 430 1003
M32	HV24B-TE-4B-M32	124 024 430 1004
PG21	HV24B-TE-4B-PG21	124 024 430 1011



### Hoods, top entry, high construction



Thread	Designation	Order No.
M32	WV24B-TEH-4B-M32	124 124 430 5001
M40	WV24B-TEH-4B-M40	124 124 430 5002
PG21	WV24B-TEH-4B-PG21	124 124 430 5003
PG29	WV24B-TEH-4B-PG29 with sleeve	124 124 430 5004
M32	WV24B-TEH-4B-M32 <a href="#">WS</a>	124 124 430 5008
PG21	WV24B-TEH-4B-PG21 <a href="#">WS</a>	124 124 430 5011
PG29	WV24B-TEH-4B-PG29 <a href="#">WS</a>	124 124 430 5012



24B Metal hoods/housings  
- for high voltage inserts(HVE Series)

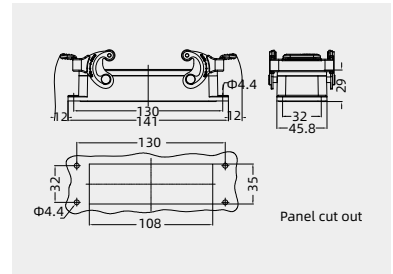
Degree of protection: IP65 Remark: SPQ is 1pc

Bulkhead mounted housings



Thread	Designation	Order No.
---	HV24B-BK-2L/SC	124 024 341 1001

Please refer to page 15-02 for choosing proper model of lock.

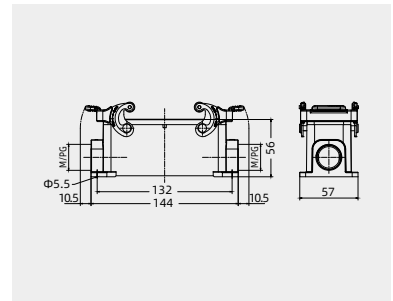


Surface mounted housings



Thread	Designation	Order No.
M25	HV24B-SF-2L/SC-M25	124 024 241 1003
2M25	HV24B-SF-2L/SC-2M25	124 024 241 1023
PG21	HV24B-SF-2L/SC-PG21	124 024 241 1011
2PG21	HV24B-SF-2L/SC-2PG21	124 024 241 1031

Please refer to page 15-02 for choosing proper model of lock.

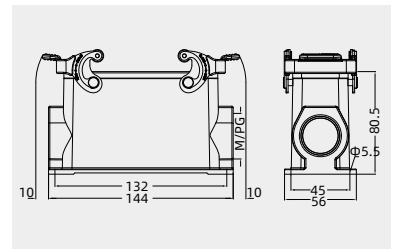


Surface mounted housings, high construction



Thread	Designation	Order No.
M32	HV24B-SFH-2L/SC-M32	124 024 241 5004
2M32	HV24B-SFH-2L/SC-2M32	124 024 241 5024
PG21	HV24B-SFH-2L/SC-PG21	124 024 241 5011
2PG21	HV24B-SFH-2L/SC-2PG21	124 024 241 5031
PG29	HV24B-SFH-2L/SC-PG29	124 024 241 5012
2PG29	HV24B-SFH-2L/SC-2PG29	124 024 241 5032

Please refer to page 15-02 for choosing proper model of lock.

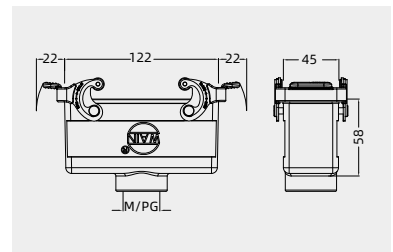


Housings, cable to cable



Thread	Designation	Order No.
M25	HV24B-CCT-2L/SC-M25	124 024 741 1003
PG21	HV24B-CCT-2L/SC-PG21	124 024 741 1011

Please refer to page 15-02 for choosing proper model of lock.



24B Metal hoods/housings  
- for high voltage inserts(HVE Series)

Degree of protection: IP65 Remark: SPQ is 1pc

Housings, cable to cable, high construction



Thread	Designation	Order No.
M32	WV24B-CCTH-2L/SC-M32	124 124 741 5001
M40	WV24B-CCTH-2L/SC-M40	124 124 741 5002
PG21	WV24B-CCTH-2L/SC-PG21	124 124 741 5003
PG29	WV24B-CCTH-2L/SC-PG29 with sleeve	124 124 741 5004
M32	WV24B-CCTH-2L/SC-M32 WS	124 124 741 5005
PG21	WV24B-CCTH-2L/SC-PG21 WS	124 124 741 5011
PG29	WV24B-CCTH-2L/SC-PG29 WS	124 124 741 5012

Please refer to page 15-02 for choosing proper model of lock.

Protection covers, plastic

Remark: SPQ is 10pcs



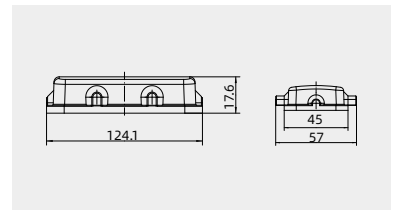
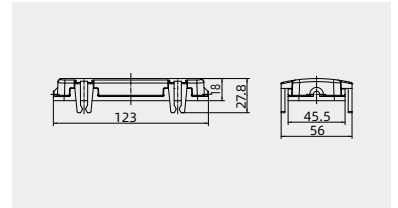
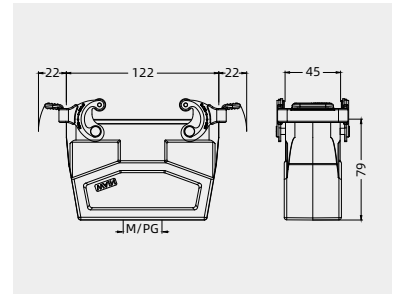
Connect way	Applications	Designation	Order No.
---	for hoods	H24B-CV-4C	111 024 090 8009

Protection covers, plastic

Remark: SPQ is 10pcs



Connect way	Applications	Designation	Order No.
	for Housings, cable to cable	H24B-CV-4B/1	111 024 030 8001
	for Housings, bulkhead mounting /surface mounting	H24B-CV-4B/2	111 024 030 8002



24B Metal hoods/housings  
- for high voltage inserts(HVE Series)

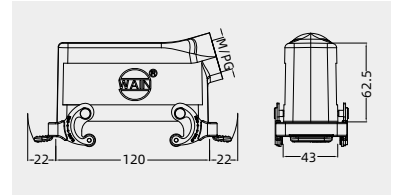
Degree of protection: IP65 Remark: SPQ is 1pc

Hoods, side entry



Thread	Designation	Order No.
M25	HV24B-SE-2L/SC-M25	124 024 541 1003
M32	HV24B-SE-2L/SC-M32	124 024 541 1004
PG21	HV24B-SE-2L/SC-PG21	124 024 541 1011

Please refer to page 15-02 for choosing proper model of lock.

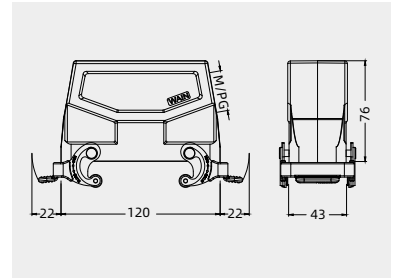


Hoods, side entry, high construction



Thread	Designation	Order No.
M32	WV24B-SEH-2L/SC-M32	124 124 541 5001
M40	WV24B-SEH-2L/SC-M40	124 124 541 5002
PG21	WV24B-SEH-2L/SC-PG21	124 124 541 5003
PG29	WV24B-SEH-2L/SC-PG29	124 124 541 5004
	with sleeve	
M32	WV24B-SEH-2L/SC-M32 WS	124 124 541 5005
PG21	WV24B-SEH-2L/SC-PG21 WS	124 124 541 5011
PG29	WV24B-SEH-2L/SC-PG29 WS	124 124 541 5012

Please refer to page 15-02 for choosing proper model of lock.

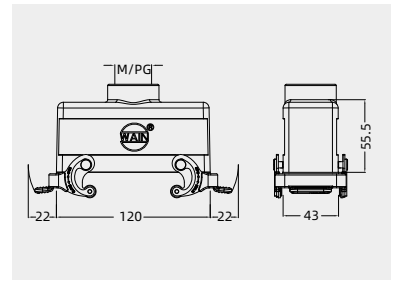


Hoods, top entry



Thread	Designation	Order No.
M25	HV24B-TE-2L/SC-M25	124 024 441 1003
PG21	HV24B-TE-2L/SC-PG21	124 024 441 1011

Please refer to page 15-02 for choosing proper model of lock.

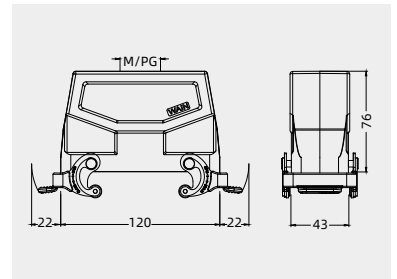


Hoods, top entry, high construction



Thread	Designation	Order No.
M32	WV24B-TEH-2L/SC-M32	124 124 441 5001
M40	WV24B-TEH-2L/SC-M40	124 124 441 5002
PG21	WV24B-TEH-2L/SC-PG21	124 124 441 5003
PG29	WV24B-TEH-2L/SC-PG29	124 124 441 5004
	with sleeve	
M32	WV24B-TEH-2L/SC-M32 WS	124 124 441 5005
PG21	WV24B-TEH-2L/SC-PG21 WS	124 124 441 5011
PG29	WV24B-TEH-2L/SC-PG29 WS	124 124 441 5012

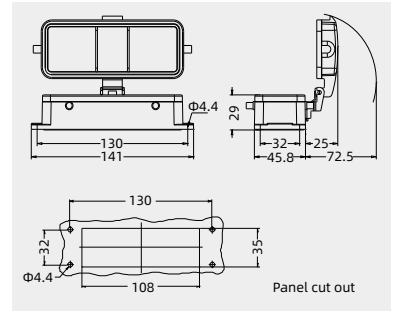
Please refer to page 15-02 for choosing proper model of lock.



Bulkhead mounted housings



Thread	Designation	Order No.
---	HV24B-BK-4B	124 024 330 1001
	with plastic cover	
---	HV24B-BK-4B-CV	124 024 370 1001
	with metal cover	
---	HV24B-BK-4B-MCV	124 024 370 1101



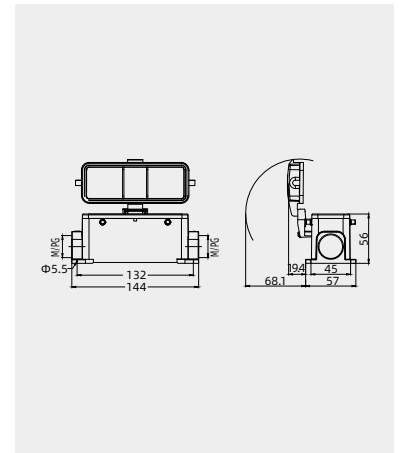
24B Metal hoods/housings  
- for high voltage inserts(HVE Series)

Degree of protection: IP65 Remark: SPQ is 1pc

Surface mounted housings



Thread	Designation	Order No.
M25	HV24B-SF-4B-M25	124 024 230 1003
2M25	HV24B-SF-4B-2M25	124 024 230 1023
PG21	HV24B-SF-4B-PG21	124 024 230 1011
2PG21	HV24B-SF-4B-2PG21	124 024 230 1031
with plastic cover		
M25	HV24B-SF-4B-CV-M25	124 024 270 1003
2M25	HV24B-SF-4B-CV-2M25	124 024 270 1023
PG21	HV24B-SF-4B-CV-PG21	124 024 270 1011
2PG21	HV24B-SF-4B-CV-2PG21	124 024 270 1031
with metal cover		
M25	HV24B-SF-4B-MCV-M25	124 024 270 1103
2M25	HV24B-SF-4B-MCV-2M25	124 024 270 1123
PG21	HV24B-SF-4B-MCV-PG21	124 024 270 1111
2PG21	HV24B-SF-4B-MCV-2PG21	124 024 270 1131

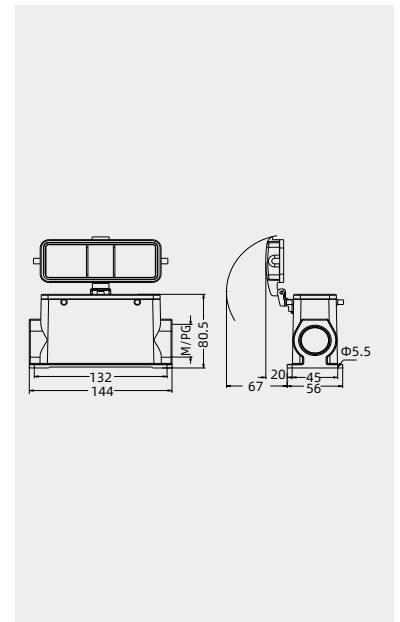


H

Surface mounted housings, high construction



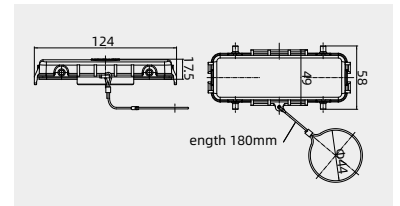
Thread	Designation	Order No.
M32	HV24B-SFH-4B-M32	124 024 230 5004
2M32	HV24B-SFH-4B-2M32	124 024 230 5024
PG21	HV24B-SFH-4B-PG21	124 024 230 5011
2PG21	HV24B-SFH-4B-2PG21	124 024 230 5031
PG29	HV24B-SFH-4B-PG29	124 024 230 5012
2PG29	HV24B-SFH-4B-2PG29	124 024 230 5032
with plastic cover		
M32	HV24B-SFH-4B-CV-M32	124 024 270 5004
2M32	HV24B-SFH-4B-CV-2M32	124 024 270 5024
PG21	HV24B-SFH-4B-CV-PG21	124 024 270 5011
2PG21	HV24B-SFH-4B-CV-2PG21	124 024 270 5031
PG29	HV24B-SFH-4B-CV-PG29	124 024 270 5012
2PG29	HV24B-SFH-4B-CV-2PG29	124 024 270 5032
with metal cover		
M32	HV24B-SFH-4B-MCV-M32	124 024 270 5104
2M32	HV24B-SFH-4B-MCV-2M32	124 024 270 5124
PG21	HV24B-SFH-4B-MCV-PG21	124 024 270 5111
2PG21	HV24B-SFH-4B-MCV-2PG21	124 024 270 5131
PG29	HV24B-SFH-4B-MCV-PG29	124 024 270 5112
2PG29	HV24B-SFH-4B-MCV-2PG29	124 024 270 5132



Protection covers, metal



Connect way	Applications	Designation	Order No.
	for hoods	H24B-MCV-4B/1S	111 024 030 8103
	for housings, without sealing	H24B-MCV-4B/2	111 024 030 8102

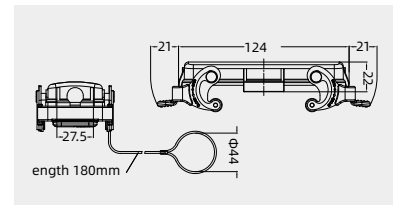


Protection covers, metal



Connect way	Applications	Designation	Order No.
	for hoods	H24B-MCV-2L/SC.1S	111 024 041 8101
	or housings	H24B-MCV-2L/SC.2	111 024 041 8102

Please refer to page 15-02 for choosing proper model of lock.



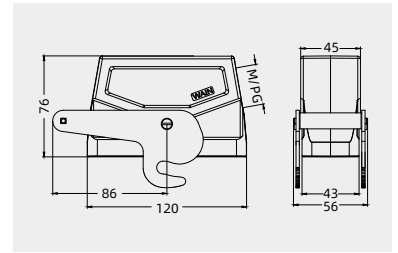
24B Metal hoods/housings  
- for high voltage inserts(HVE Series)

Degree of protection: IP65 Remark: SPQ is 1pc

Hoods, side entry, high construction



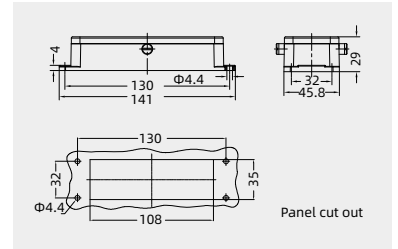
Thread	Designation	Order No.
M32	WV24B-SEH-1L/C-M32	124 124 550 5001
PG29	WV24B-SEH-1L/C-PG29	124 124 550 5002
	with sleeve	
M32	WV24B-SEH-1L/C-M32 WS	124 124 555 5004
PG21	WV24B-SEH-1L/C-PG21 WS	124 124 550 5003
PG29	WV24B-SEH-1L/C-PG29 WS	124 124 555 5012



Bulkhead mounted housings



Thread	Designation	Order No.
---	HV24B-BK-2B/C	124 024 355 1001



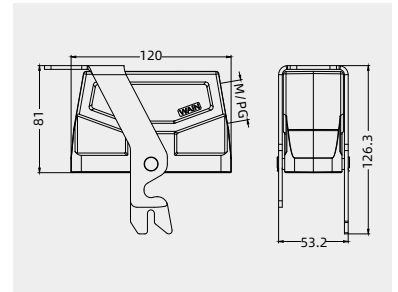
HV24B Metal hoods/housings  
- for high voltage inserts(HVE Series)

Degree of protection: IP65 Remark: SPQ is 1pc

Hoods, side entry, high construction



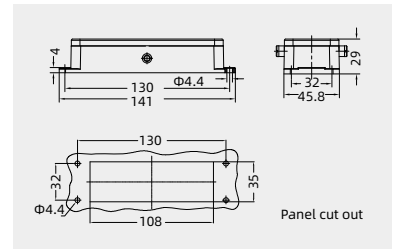
Thread	Designation	Order No.
M32	WV24B-SEH-1L/B-M32	124 124 529 5001
PG29	WV24B-SEH-1L/B-PG29	124 124 529 5002
	with sleeve	
M32	WV24B-SEH-1L/B-M32 <span style="color: blue;">WS</span>	124 124 525 5004
PG21	WV24B-SEH-1L/B-PG21 <span style="color: blue;">WS</span>	124 124 525 5013
PG29	WV24B-SEH-1L/B-PG29 <span style="color: blue;">WS</span>	124 124 525 5012



Bulkhead mounted housings



Thread	Designation	Order No.
---	HV24B-BK-2B/B	124 024 315 1001



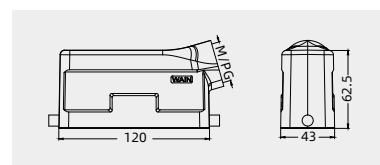
## HV24B Metal hoods/housings - for high voltage inserts(HVE Series)

Degree of protection: IP67 Remark: SPQ is 1pc

### Hoods, side entry



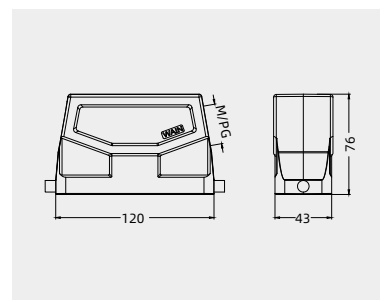
Thread	Designation	Order No.
M25	WV24B-SE-2B-M25	124 124 510 1001
M32	WV24B-SE-2B-M32	124 124 510 1002
PG21	WV24B-SE-2B-PG21	124 124 510 1003



### Hoods, side entry, high construction



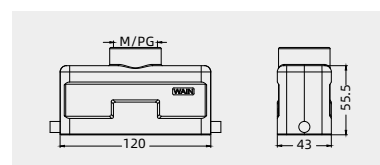
Thread	Designation	Order No.
M32	WV24B-SEH-2B-M32	124 124 510 5001
M40	WV24B-SEH-2B-M40	124 124 510 5002
PG21	WV24B-SEH-2B-PG21	124 124 510 5003
PG29	WV24B-SEH-2B-PG29 with sleeve	124 124 510 5004
M32	WV24B-SEH-2B-M32 <span style="color: blue;">WS</span>	124 124 515 5004
PG21	WV24B-SEH-2B-PG21 <span style="color: blue;">WS</span>	124 124 515 5011
PG29	WV24B-SEH-2B-PG29 <span style="color: blue;">WS</span>	124 124 515 5012



### Hoods, top entry



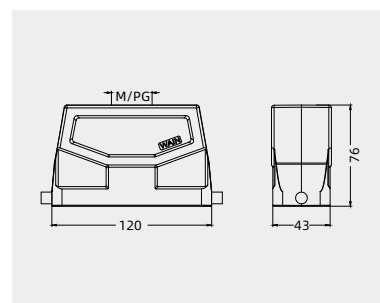
Thread	Designation	Order No.
M25	WV24B-TE-2B-M25	124 124 410 1001
M32	WV24B-TE-2B-M32	124 124 410 1002
PG21	WV24B-TE-2B-PG21	124 124 410 1003



### Hoods, top entry, high construction



Thread	Designation	Order No.
M32	WV24B-TEH-2B-M32	124 124 410 5001
M40	WV24B-TEH-2B-M40	124 124 410 5002
PG21	WV24B-TEH-2B-PG21	124 124 410 5003
PG29	WV24B-TEH-2B-PG29 with sleeve	124 124 410 5004
M32	WV24B-TEH-2B-M32 <span style="color: blue;">WS</span>	124 124 415 5004
PG21	WV24B-TEH-2B-PG21 <span style="color: blue;">WS</span>	124 124 415 5011
PG29	WV24B-TEH-2B-PG29 <span style="color: blue;">WS</span>	124 124 415 5012



24B Metal hoods/housings  
- for high voltage inserts(HVE Series)

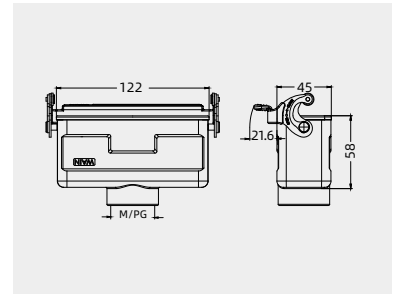
Degree of protection: IP67 Remark: SPQ is 1pc

Housings, cable to cable



Thread	Designation	Order No.
M25	WV24B-CCT-1L/SC-M25	124 124 721 1001
PG21	WV24B-CCT-1L/SC-PG21	124 124 721 1002

Please refer to page 15-02 for choosing proper model of lock.

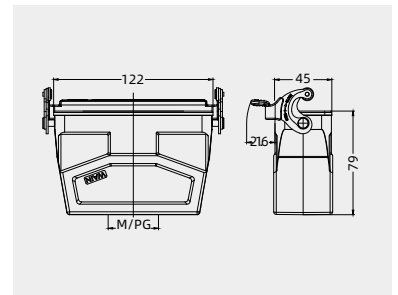


Housings, cable to cable, high construction



Thread	Designation	Order No.
M32	WV24B-CCTH-1L/SC-M32	124 124 721 5001
M40	WV24B-CCTH-1L/SC-M40	124 124 721 5002
PG21	WV24B-CCTH-1L/SC-PG21	124 124 721 5003
PG29	WV24B-CCTH-1L/SC-PG29	124 124 721 5004
M32	WV24B-CCTH-1L/SC-M32 WS with sleeve	124 124 721 5005
PG21	WV24B-CCTH-1L/SC-PG21 WS	124 124 721 5011
PG29	WV24B-CCTH-1L/SC-PG29 WS	124 124 721 5012

Please refer to page 15-02 for choosing proper model of lock.

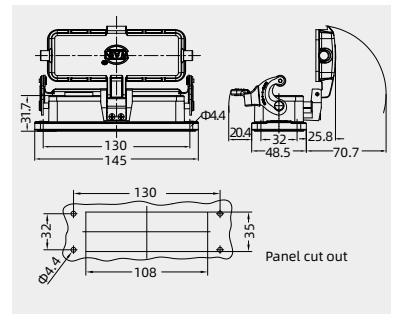


Bulkhead mounted housings



Thread	Designation	Order No.
---	WV24B-BK-1L/SC	124 124 321 1101
---	with plastic cover WV24B-BK-1L/SC-CV	111 124 321 8003
---	with metal cover WV24B-BK-1L/SC-MCV	111 124 321 8004

Please refer to page 15-02 for choosing proper model of lock.



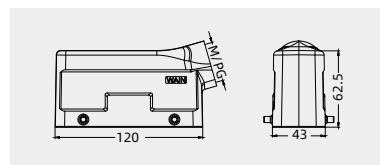
## 24B Metal hoods/housings - for high voltage inserts(HVE Series)

Degree of protection: IP67 **Remark: SPQ is 1pc**

### Hoods, side entry



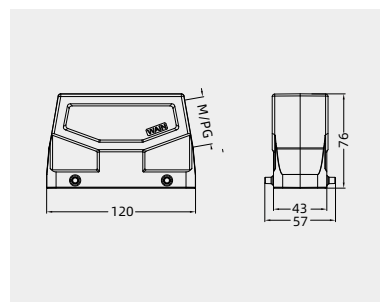
Thread	Designation	Order No.
M25	WV24B-SE-4B-M25	124 124 530 1001
M32	WV24B-SE-4B-M32	124 124 530 1002
PG21	WV24B-SE-4B-PG21	124 124 530 1003



### Hoods, side entry, high construction



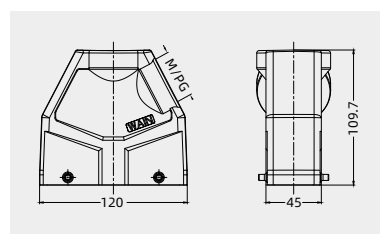
Thread	Designation	Order No.
M32	WV24B-SEH-4B-M32	124 124 530 5001
M40	WV24B-SEH-4B-M40	124 124 530 5002
PG21	WV24B-SEH-4B-PG21	124 124 530 5003
PG29	WV24B-SEH-4B-PG29	124 124 530 5004
M32	WV24B-SEH-4B-M32 <i>WS</i>	124 124 530 5007
PG21	WV24B-SEH-4B-PG21 <i>WS</i>	124 124 530 5011
PG29	WV24B-SEH-4B-PG29 <i>WS</i>	124 124 530 5012



### Hoods, side entry, high construction



Thread	Designation	Order No.
M50	WV24B-SEH-4B-M50	124 124 530 5005
PG36	WV24B-SEH-4B-PG36	124 124 530 5006

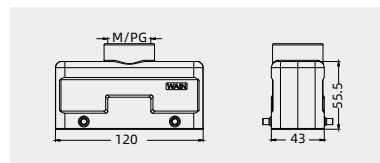


*Suitable for cable with maximum OD  $\Phi$ 32mm*

### Hoods, top entry



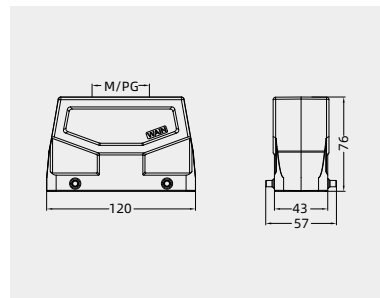
Thread	Designation	Order No.
M25	WV24B-TE-4B-M25	124 124 430 1001
M32	WV24B-TE-4B-M32	124 124 430 1002
PG21	WV24B-TE-4B-PG21	124 124 430 1003



### Hoods, top entry, high construction



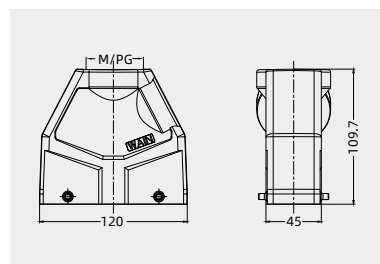
Thread	Designation	Order No.
M32	WV24B-TEH-4B-M32	124 124 430 5001
M40	WV24B-TEH-4B-M40	124 124 430 5002
PG21	WV24B-TEH-4B-PG21	124 124 430 5003
PG29	WV24B-TEH-4B-PG29	124 124 430 5004
M32	WV24B-TEH-4B-M32 <i>WS</i>	124 124 430 5008
PG21	WV24B-TEH-4B-PG21 <i>WS</i>	124 124 430 5011
PG29	WV24B-TEH-4B-PG29 <i>WS</i>	124 124 430 5012



### Hoods, top entry, high construction



Thread	Designation	Order No.
M50	WV24B-TEH-4B-M50	124 124 430 5005
PG36	WV24B-TEH-4B-PG36	124 124 430 5006



*Suitable for cable with maximum OD  $\Phi$ 32mm*

24B Metal hoods/housings  
- for high voltage inserts(HVE Series)

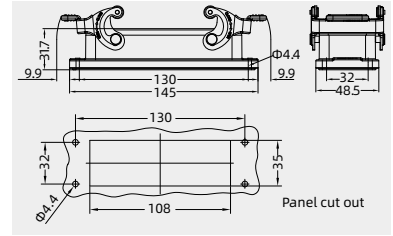
Degree of protection: IP67 **Remark: SPQ is 1pc**

Bulkhead mounted housings



Thread	Designation	Order No.
---	WV24B-BK-2L/SC	124 124 341 1101

Please refer to page 15-02 for choosing proper model of lock.

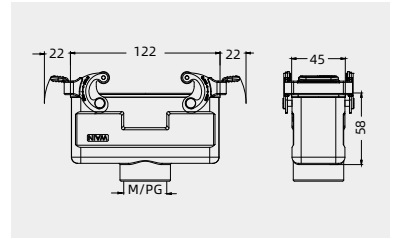


Housings, cable to cable



Thread	Designation	Order No.
M25	WV24B-CCT-2L/SC-M25	124 124 741 1001
PG21	WV24B-CCT-2L/SC-PG21	124 124 741 1002

Please refer to page 15-02 for choosing proper model of lock.

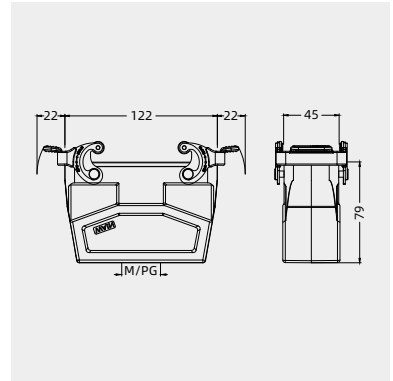


Housings, cable to cable, high construction



Thread	Designation	Order No.
M32	WV24B-CCTH-2L/SC-M32	124 124 741 5001
M40	WV24B-CCTH-2L/SC-M40	124 124 741 5002
PG21	WV24B-CCTH-2L/SC-PG21	124 124 741 5003
PG29	WV24B-CCTH-2L/SC-PG29	124 124 741 5004
	with sleeve	
M32	WV24B-CCTH-2L/SC-M32 WS	124 124 741 5005
PG21	WV24B-CCTH-2L/SC-PG21 WS	124 124 741 5011
PG29	WV24B-CCTH-2L/SC-PG29 WS	124 124 741 5012

Please refer to page 15-02 for choosing proper model of lock.



24B Metal hoods/housings  
- for high voltage inserts(HVE Series)

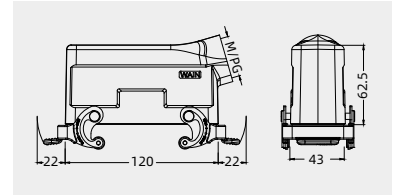
Degree of protection: IP67 Remark: SPQ is 1pc

Hoods, side entry



Thread	Designation	Order No.
M25	WV24B-SE-2L/SC-M25	124 124 541 1001
M32	WV24B-SE-2L/SC-M32	124 124 541 1002
PG21	WV24B-SE-2L/SC-PG21	124 124 541 1003

Please refer to page 15-02 for choosing proper model of lock.

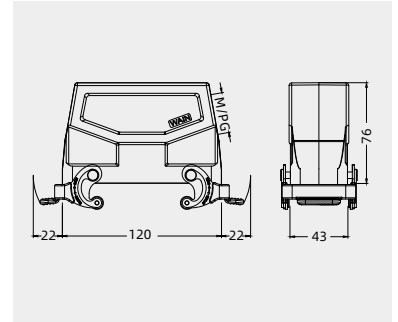


Hoods, side entry, high construction



Thread	Designation	Order No.
M32	WV24B-SEH-2L/SC-M32	124 124 541 5001
M40	WV24B-SEH-2L/SC-M40	124 124 541 5002
PG21	WV24B-SEH-2L/SC-PG21	124 124 541 5003
PG29	WV24B-SEH-2L/SC-PG29 with sleeve	124 124 541 5004
M32	WV24B-SEH-2L/SC-M32 WS	124 124 541 5005
PG21	WV24B-SEH-2L/SC-PG21 WS	124 124 541 5011
PG29	WV24B-SEH-2L/SC-PG29 WS	124 124 541 5012

Please refer to page 15-02 for choosing proper model of lock.

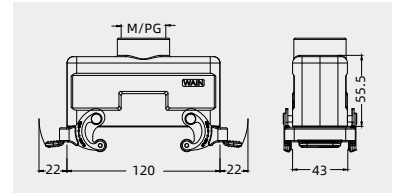


Hoods, top entry



Thread	Designation	Order No.
M25	WV24B-TE-2L/SC-M25	124 124 441 1001
PG21	WV24B-TE-2L/SC-PG21	124 124 441 1002

Please refer to page 15-02 for choosing proper model of lock.

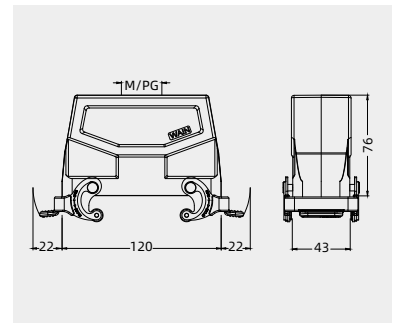


Hoods, top entry, high construction



Thread	Designation	Order No.
M32	WV24B-TEH-2L/SC-M32	124 124 441 5001
M40	WV24B-TEH-2L/SC-M40	124 124 441 5002
PG21	WV24B-TEH-2L/SC-PG21	124 124 441 5003
PG29	WV24B-TEH-2L/SC-PG29 with sleeve	124 124 441 5004
M32	WV24B-TEH-2L/SC-M32 WS	124 124 441 5005
PG21	WV24B-TEH-2L/SC-PG21 WS	124 124 441 5011
PG29	WV24B-TEH-2L/SC-PG29 WS	124 124 441 5012

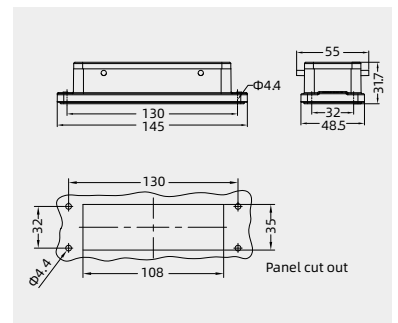
Please refer to page 15-02 for choosing proper model of lock.



Bulkhead mounted housings



Thread	Designation	Order No.
---	WV24B-BK-4B	124 124 330 1101



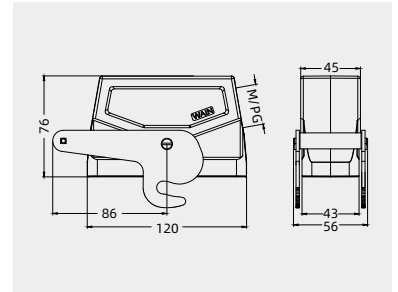
## 24B Metal hoods/housings - for high voltage inserts(HVE Series)

Degree of protection: IP67 Remark: SPQ is 1pc

### Hoods, side entry, high construction



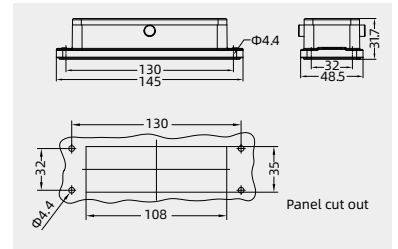
Thread	Designation	Order No.
M32	WV24B-SEH-1L/C-M32	124 124 550 5001
PG29	WV24B-SEH-1L/C-PG29	124 124 550 5002
	with sleeve	
M32	WV24B-SEH-1L/C-M32 <i>WS</i>	124 124 555 5004
PG21	WV24B-SEH-1L/C-PG21 <i>WS</i>	124 124 550 5003
PG29	WV24B-SEH-1L/C-PG29 <i>WS</i>	124 124 555 5012



### Bulkhead mounted housings



Thread	Designation	Order No.
---	WV24B-BK-2B/C	124 124 350 1101



24B Metal hoods/housings  
- for high voltage inserts(HVE Series)

Degree of protection: IP67 Remark: SPQ is 1pc

Hoods, side entry, high construction



Thread	Designation	Order No.
M32	WV24B-SEH-1L/B-M32	124 124 529 5001
PG29	WV24B-SEH-1L/B-PG29	124 124 529 5002
	with sleeve	
M32	WV24B-SEH-1L/B-M32 <span style="color: blue;">WS</span>	124 124 525 5004
PG21	WV24B-SEH-1L/B-PG21 <span style="color: blue;">WS</span>	124 124 525 5013
PG29	WV24B-SEH-1L/B-PG29 <span style="color: blue;">WS</span>	124 124 525 5012

