

|                         |   |                             |   |  |                    |
|-------------------------|---|-----------------------------|---|--|--------------------|
| Product category        | SGM series Moulded Case Circuit Breaker   |                             |   |  |                    |
| Design code             | 6   |                             |   |  |                    |
| Type code               | Fixed Type (l)                            | Thermal Adjustable Type (s) | Thermal & Magnetic Adjustable Type (sm) | Electronic Type with Knobs (E)<br>Electronic Type with LCD (i) | With ELCB Type (L) |
| Design code             | 125A,160A,250A,400A,630A,800A/1000A,1600A |                             |   |  |                    |
| Breaking capacity level | C*,L,M,H,H max                            |                             |   |  |                    |
| Pole                    | 3P,4P                                     |                             |   |  |                    |
| Rated current           | 16-1600A                                  |                             |   |  |                    |

e.g. : SGM 6 s - 125 M / 3P 125A







\*Line/load terminal : Immaterial

| Ratings And Specifications                             |  | Fixed Type |   |      |             |   |              |      |          |    |              |    |      |  |  |  |
|--|--|------------|---|------|-------------|---|--------------|------|----------|----|--------------|----|------|--|--|--|
| Frame Size   |  |            |   |      |             |   |              |      |          |    |              |    |      |  |  |  |
|  | 125  | 125        | 160   | 250  |             |   |              |      |          |    |              |    |      |  |  |  |
| Model  | SGM6-125   |            | SGM6-160                                    |      |             | SGM6-250                                |              |      |          |    |              |    |      |  |  |  |
| Number of poles  | 3,4  |            |   |      |             |   |              |      |          |    |              |    |      |  |  |  |
| Rated current(A) In                                    | 16,20,25,30,32,40,50,60,63,70,75,80,90,100,125   |            | 30,32,40,50,63,70,75,80,100,125,140,150,160 |      |             | 100,125,140,150,160,175,180,200,225,250 |              |      |          |    |              |    |      |  |  |  |
| Magnetic tripping current (Ii)                         | 10*In for 32 - 125 A<br>320A for 16-30 A   |            | 10*In                                       |      |             |   |              |      |          |    |              |    |      |  |  |  |
| Standard   | IEC60947-2   |            |   |      |             |   |              |      |          |    |              |    |      |  |  |  |
| Reference temperature                                  | 40°C/55°C  |            |   |      |             |   |              |      |          |    |              |    |      |  |  |  |
| Rated operational voltage                              | 380/400/415V AC  |            |   |      |             |   |              |      |          |    |              |    |      |  |  |  |
| Rated insulation voltage Ui (V)                        | 800  |            |   | 1000 |             |   |              |      |          |    |              |    |      |  |  |  |
| Rated impulse withstand voltage Uimp (kV)              | 8  |            |   |      |             |   |              |      |          |    |              |    |      |  |  |  |
| Breaking capacity level                                | L  | M          | H   | C*   | L           | M                                       | H            | Hmax | C*       | L  | M            | H  | Hmax |  |  |  |
| Rated ultimate short-circuit breaking capacity Icu(kA) | 10   | 25         | 36  | 25   | 36          | 50                                      | 65           | 85   | 25       | 36 | 50           | 65 | 85   |  |  |  |
| Rated service short-circuit breaking capacity Ics(kA)  | 10   | 18         | 25  | 25   | 25          | 36                                      | 50           | 66   | 25       | 25 | 36           | 50 | 66   |  |  |  |
| Icu=Ics(KA)  | 10   | 18         | 25  | 25   | 25          | 36                                      | 50           | 66   | 25       | 25 | 36           | 50 | 66   |  |  |  |
| Mechanical Endurance                                   | for 16-100A  |            | for 125A                                    |      | for 30-100A |   | for 125-160A |      | for 100A |    | for 125-250A |    |      |  |  |  |
| Electrical Endurance                                   | 8500   |            | 7000  |      | 8500        |   | 7000         |      | 8500     |    | 7000         |    |      |  |  |  |
|  | 1500   |            | 1000  |      | 1500        |   | 1000         |      | 1500     |    | 1000         |    |      |  |  |  |
| Installation   | Auxiliary contact(OF)<br>Alarm switch(SD)<br>Shunt trip(MX)<br>Under-voltage release(MN)<br>AC Motor Mechanism<br>Extended Rotary Handle |            |   |      |             |   |              |      |          |    |              |    |      |  |  |  |

\*Line/load terminal : Immaterial

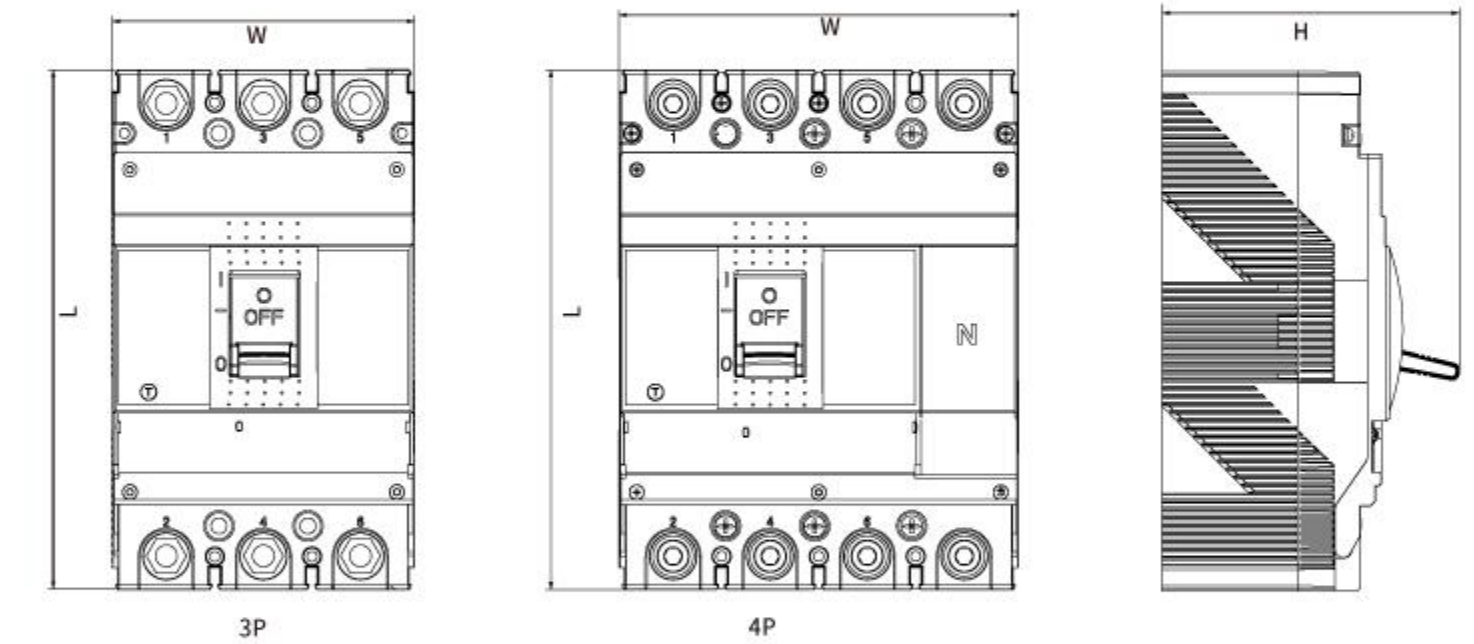
## Ratings And Specifications Fixed Type

|  |   |   |  |   |   |    |      |    |    |
|--|---|---|--|---|---|----|------|----|----|
| Frame Size   |    |  |  |  |   |    |      |    |    |
| Model  | SGM6-400  | SGM6-630  | SGM6-800<br>SGM6-1000  | SGM6-1600   |   |    |      |    |    |
| Number of poles  | 3,4   |   |  |   |   |    |      |    |    |
| Rated current(A) In                                    | 250,280,300,315,320<br>350,400  | 500,550,630   | For SGM6-800<br>630,700,770,800<br>For SGM6-1000<br>630,700,770,800,1000           | 1000,1250,1600  |   |    |      |    |    |
| Magnetic tripping current (li)                         | 10*In   |   |  |   |   |    |      |    |    |
| Standard   | IEC60947-2  |   |  |   |   |    |      |    |    |
| Reference temperature                                  | 40°C/55°C   |   |  |   |   |    |      |    |    |
| Rated operational voltage                              | 380/400/415V AC   |   |  |   |   |    |      |    |    |
| Rated insulation voltage Ui (V)                        | 1000  |   |  |   |   |    |      |    |    |
| Rated impulse withstand voltage Uimp (kV)              | 8   |   |  |   |   |    |      |    |    |
| Breaking capacity level                                | L   | M   | H  | M   | H   | M  | H    | M  | H  |
| Rated ultimate short-circuit breaking capacity Icu(kA) | 50  | 85  | 100  | 85  | 100   | 85 | 100  | 66 | 85 |
| Rated service short-circuit breaking capacity Ics(kA)  | 50  | 60  | 75   | 60  | 75  | 60 | 75   | 50 | 66 |
| Icu=Ics(kA)  | 50  | 60  | 75   | 60  | 75  | 60 | 75   | 50 | 66 |
| Mechanical Endurance                                   | for 250-315A  | for 350-400A  | 4000   |   | 2500  |    | 2500 |    |    |
| Electrical Endurance                                   | 7000<br>1000  | 4000<br>1000  | 1000   |   | 500   |    | 500  |    |    |
| Installation   | Auxiliary contact(OFF)<br>Alarm switch(SD)<br>Shunt trip(MX)<br>Under-voltage release(MN)<br>AC Motor Mechanism<br>Extended Rotary Handle |   |  |   | Auxiliary contact(OFF)<br>Alarm switch(SD)<br>Shunt trip(MX)<br>Under-voltage release(MN)<br>AC Motor Mechanism |    |      |    |    |

## Product Dimension Drawing Fixed Type

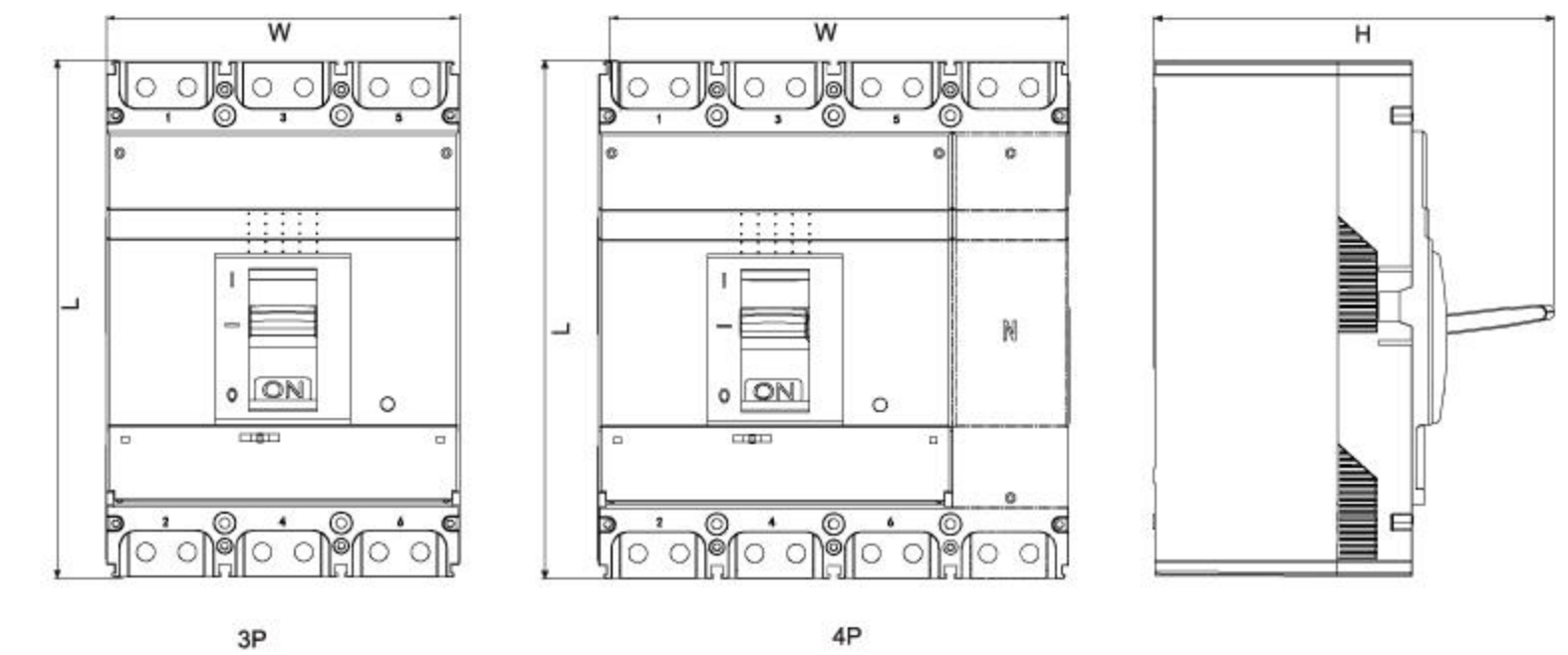
**SGM6**

125,160,250,400,  
630,800/1000



**SGM6**

1600



**SGM6 Dimensions mm(L×W×H)**

| Frame Size | 125    | 160 | 160 (Hmax) | 250 | 250 (Hmax) | 400 | 630 | 800/1000 | 1600 |     |
|------------|--------|-----|------------|-----|------------|-----|-----|----------|------|-----|
| 3P         | Length | 133 | 155        | 155 | 165        | 165 | 257 | 257      | 280  | 310 |
|            | Width  | 75  | 92         | 92  | 107        | 105 | 140 | 150      | 210  | 212 |
|            | Height | 81  | 92         | 99  | 98         | 108 | 148 | 148      | 155  | 242 |
| 4P         | Length | 133 | 155        | 155 | 165        | 165 | 257 | 257      | 280  | 310 |
|            | Width  | 100 | 122        | 122 | 142        | 140 | 197 | 197      | 280  | 282 |
|            | Height | 81  | 92         | 99  | 98         | 108 | 148 | 148      | 155  | 242 |