

## Tuotekortti Product card



### VG03-0003

OJL-liitin 280  
OJL-connector 280

**Tuotetiedot**

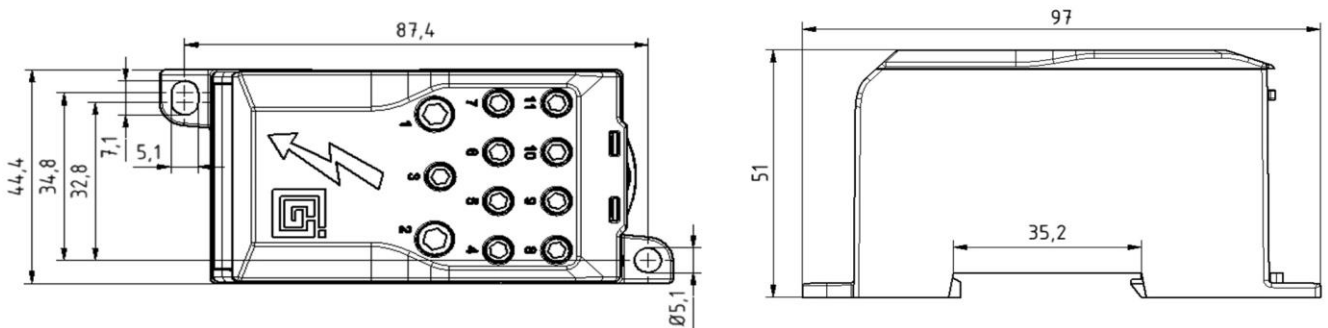
|            |   |             |                |             |                      |
|------------|---|-------------|----------------|-------------|----------------------|
| Tuotekoodi | <b>VG03-0003</b>  | Sähkönumero | <b>1912008</b> | EAN-koodi   | <b>6410019120080</b> |
| Tuotenimi  | OJL-liitin 280  |             |                | ETIM-luokka | <b>EC000276</b>      |
| Johtimet   | 1xAl/Cu (35-120mm <sup>2</sup> )/ 2x(6-35 mm <sup>2</sup> )/ 5x(2,5-16mm <sup>2</sup> )/ 4x(2,5-10mm <sup>2</sup> ) |             |                |             |                      |

**Tekniset tiedot**

|                       |  |             |                 |
|-----------------------|--|-------------|-----------------|
| Nimellisvirta (IEC)   | Cu   | <b>280</b>  | A               |
|                       | Al   | <b>250</b>  | A               |
| Nimellisjännite (IEC) |  | <b>1000</b> | V               |
|                       |  | -           |                 |
|                       |  | -           |                 |
|                       |  | -           |                 |
| Napaluku              |  | <b>1</b>    | kpl             |
| Max. Johdinkoko       |  | <b>120</b>  | mm <sup>2</sup> |
| Kiristysmomentti      |  |             |                 |
|                       | 95-120 mm <sup>2</sup>                       | <b>19</b>   | Nm              |
|                       | 50-70 mm <sup>2</sup>                        | <b>10</b>   | Nm              |
|                       | 25-35 mm <sup>2</sup>                        | <b>6</b>    | Nm              |
|                       | 2,5-16 mm <sup>2</sup>                       | <b>3</b>    |                 |
|                       |  | -           |                 |
| Käyttölämpötila       |  | <b>80</b>   | °C              |
| Paino                 |  | <b>178</b>  | g               |
| IP-suojaus            |  | <b>IP20</b> |                 |
| Standardit            | <b>EN 61238-1:2003; EN 60947-7-1:2009</b>    |             |                 |
| Väri / Materiaali     | <b>Harmaa kansi, Harmaa kotelo RAL 7035</b>  |             |                 |
| Kiinnitys / Kytkenä   | <b>DIN-kisko kiinnitys ja ruuvikiinnitys</b> |             |                 |


**Kuvaus**

1-napainen OJL-liitin on tarkoitettu sähkölaitteiden haaroituskytkentöihin. Liittimessä 1 syöttöjohdin- ja 11 haaroitusjohdinaukkoa. Liitinrunko on tinapinnattua alumiinia.

**Mittakuva**

**Pakkaus**

|              |                 |               |            |              |             |
|--------------|-----------------|---------------|------------|--------------|-------------|
| Pakkausmuoto | <b>Laatikko</b> | Kpl / Pakkaus | <b>12</b>  | Paino [kg]   | <b>2,30</b> |
| Pituus [mm]  | <b>210</b>      | Leveys [mm]   | <b>155</b> | Korkeus [mm] | <b>105</b>  |

**Ouneva Oy**

Teollisuustie 21  
FI-82730 Tuupovaara  
Finland

Tel. +358 400 179 750  
[info@ouneva.fi](mailto:info@ouneva.fi)

[www.ounevagroup.fi](http://www.ounevagroup.fi)  
[www.ounevaproducts.fi](http://www.ounevaproducts.fi)

**Product data**

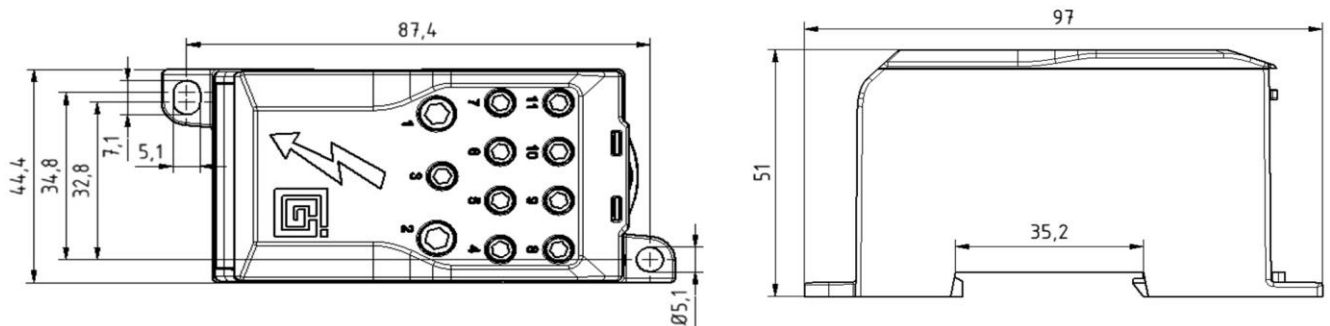
|              |  |          |                |                 |                      |
|--------------|--|----------|----------------|-----------------|----------------------|
| Product code | <b>VG03-0003</b>   | STK-code | <b>1912008</b> | EAN-code        | <b>6410019120080</b> |
| Product name | <b>OJL-connector 280</b>   |          | ETIM class     | <b>EC000276</b> |                      |
| Wires        | <b>1xAl/Cu (35-120mm<sup>2</sup>)/ 2x(6-35 mm<sup>2</sup>)/ 5x(2,5-16mm<sup>2</sup>)/ 4x(2,5-10mm<sup>2</sup>)</b> |          |                |                 |                      |

**Technical data**

|                       |   |             |                 |
|-----------------------|---|-------------|-----------------|
| Nominal current (IEC) | Cu  | <b>280</b>  | A               |
|                       | Al  | <b>250</b>  | A               |
| Nominal voltage (IEC) |   | <b>1000</b> | V               |
|                       |   | -           |                 |
|                       |   | -           |                 |
|                       |   | -           |                 |
| Number of poles       |   | <b>1</b>    | pcs             |
| Max. Cross section    |   | <b>120</b>  | mm <sup>2</sup> |
| Tightening torque     |   |             |                 |
|                       | 95-120 mm <sup>2</sup>                    | <b>19</b>   | Nm              |
|                       | 50-70 mm <sup>2</sup>                     | <b>10</b>   | Nm              |
|                       | 25-35 mm <sup>2</sup>                     | <b>6</b>    | Nm              |
|                       | 50-70 mm <sup>2</sup>                     | <b>3</b>    | Nm              |
|                       |   | -           |                 |
| Operating temperature |   | <b>80</b>   | °C              |
| Weight                |   | <b>178</b>  | g               |
| IP-protection         |   | <b>IP20</b> |                 |
| Standards             | <b>EN 61238-1:2003; EN 60947-7-1:2009</b> |             |                 |
| Color / Material      | <b>Grey Cover, Grey Housing RAL 7035</b>  |             |                 |
| Mounting / Connection | <b>DIN-rail and screw mounting</b>        |             |                 |


**Description**

Single pole distribution block for branching connections. The OJL distribution block is compact and distributes the current through 11 output cables.

**Drawing**

**Package**

|             |            |               |            |             |             |
|-------------|------------|---------------|------------|-------------|-------------|
| Package     | <b>Box</b> | Pcs / Package | <b>12</b>  | Weight [kg] | <b>2,30</b> |
| Length [mm] | <b>210</b> | Width [mm]    | <b>155</b> | Height [mm] | <b>105</b>  |

**Ouneva Oy**

Teollisuustie 21  
 FI-82730 Tuupovaara  
 Finland

Tel. +358 400 179 750  
[info@ouneva.fi](mailto:info@ouneva.fi)

[www.ounevagroup.fi](http://www.ounevagroup.fi)  
[www.ounevaproducts.fi](http://www.ounevaproducts.fi)