

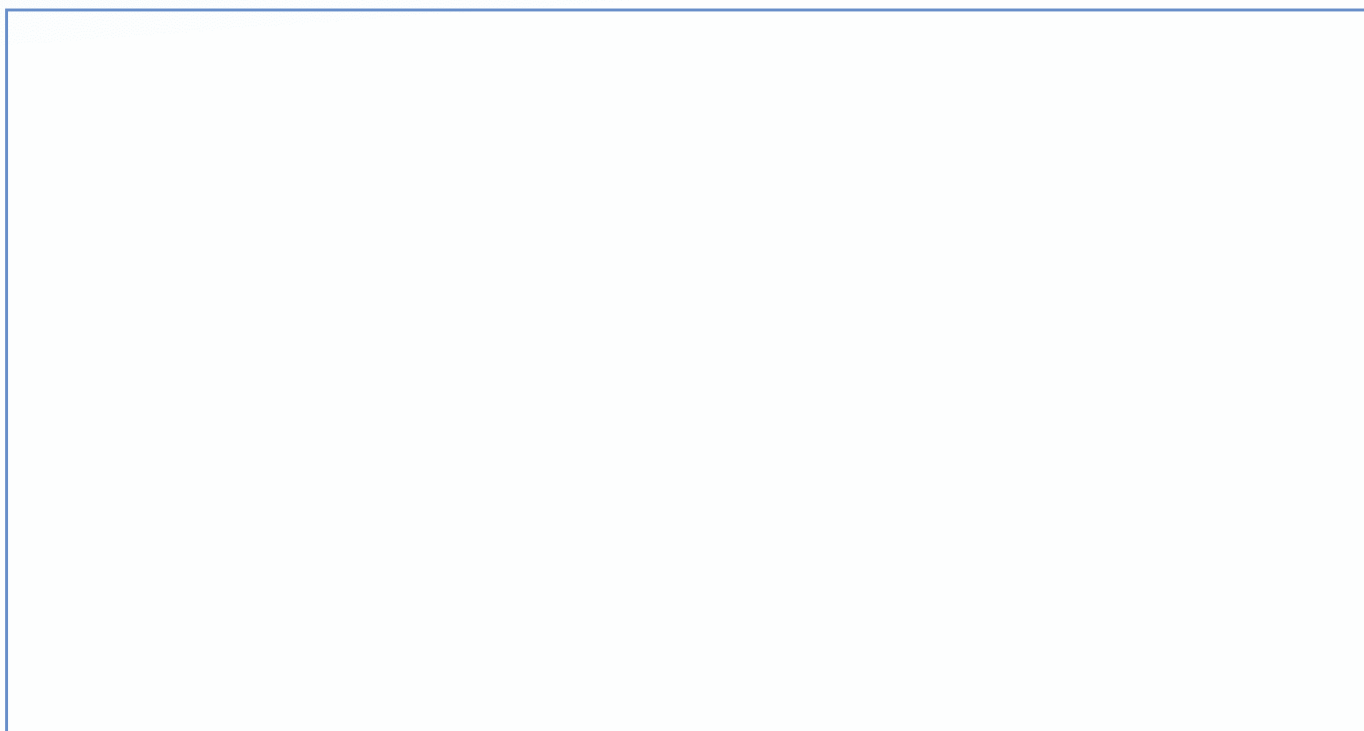
**PRODUCT DESCRIPTION:**

**SPH1\_UC**

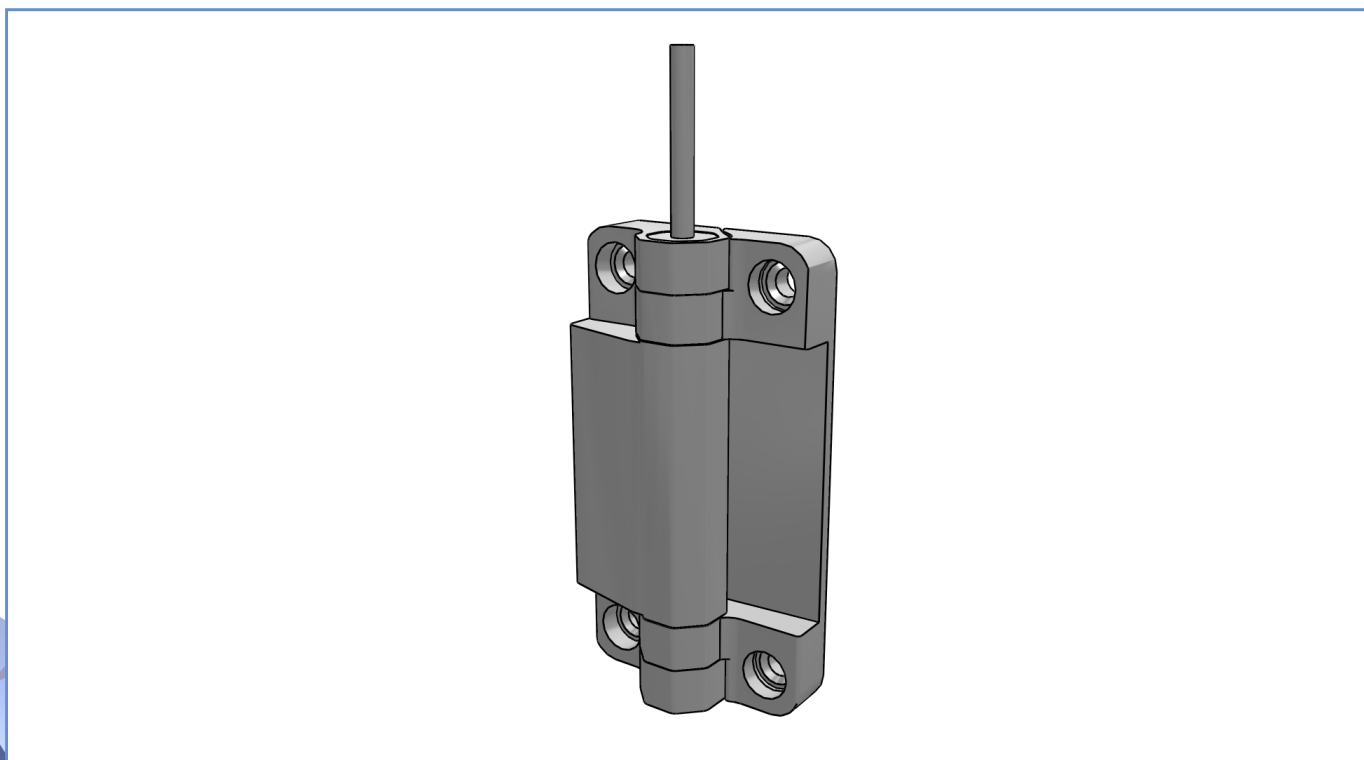
**PRODUCT CODE:**

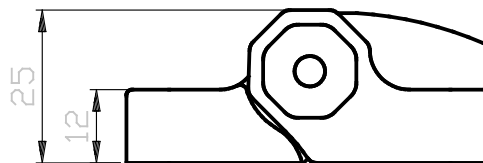
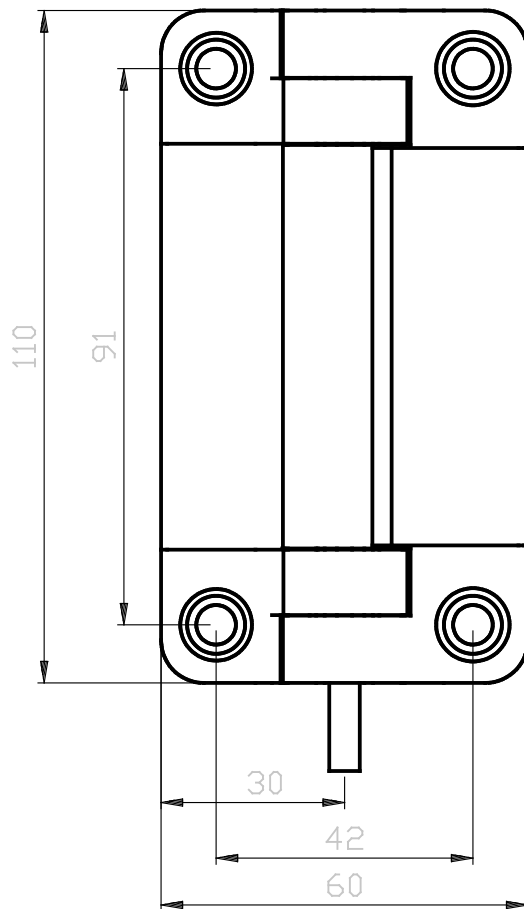
**SPH1X22C020UC**

**DYNAMIC 3D VIEW:**



**STATIC 3D VIEW:**



**TECHNICAL VIEW:**


<b>X22C</b>	<table border="0"> <tr> <td>11</td> <td>23</td> <td>31</td> <td>43</td> </tr> <tr> <td>12</td> <td>24</td> <td>32</td> <td>44</td> </tr> </table>	11	23	31	43	12	24	32	44	<table border="0"> <tr> <td></td> <td>0°</td> <td>5°</td> <td>8°</td> <td>11° ↻</td> </tr> <tr> <td>12-11</td> <td style="background-color: #cccccc;"></td> <td style="background-color: #cccccc;"></td> <td style="background-color: #cccccc;"></td> <td style="background-color: #cccccc;"></td> </tr> <tr> <td>24-23</td> <td style="background-color: #cccccc;"></td> <td style="background-color: #cccccc;"></td> <td style="background-color: #cccccc;"></td> <td style="background-color: #cccccc;"></td> </tr> <tr> <td>32-31</td> <td style="background-color: #cccccc;"></td> <td style="background-color: #cccccc;"></td> <td style="background-color: #cccccc;"></td> <td style="background-color: #cccccc;"></td> </tr> <tr> <td>44-43</td> <td style="background-color: #cccccc;"></td> <td style="background-color: #cccccc;"></td> <td style="background-color: #cccccc;"></td> <td style="background-color: #cccccc;"></td> </tr> </table>		0°	5°	8°	11° ↻	12-11					24-23					32-31					44-43				
	11	23	31	43																															
12	24	32	44																																
	0°	5°	8°	11° ↻																															
12-11																																			
24-23																																			
32-31																																			
44-43																																			

**DETAILS:**

Part Number	SPH1X22C020UC
Casing Material	Reinforced thermoplastic
Width [mm]	110
Electrical connections	Prewired with PVC UL cable 8x0.34 - length 2m
IP Degree of Protection	IP67
Actuating Head	/
Head Material	/
Microswitch	Non-overlapping slow action contacts ( 2NO + 2NC )
Approvals	IMQ - cULus - CCC - EAC
Reference Directives	2014/35/UE - 2006/42/CE
Reference Standards	IEC 60947-5-1 / EN 60947-5-1 / EN ISO 14119
Interlock type according to EN ISO 14119	Type 1
Operating Temperatures [°C]	-20°C ... +80°C
Stock Temperatures [°C]	-20°C ... +80°C
Protection against electric shocks (according to IEC 60536) [Class]	Class II - Double insulation
Rated Insulating Voltage Ui [V]	400
Pollution Degree	3
Contact rating secondo UL50	C300 - Q300
Rated Impulsive Voltage Uimp [kV]	4
Conventional thermal current in air free Ith (θ)	4
Short circuit protection (EU)	4
Operating currents Ie - AC-15 (50-60 Hz) according to IEC 60947-5-1	24V - 4A / 120V - 4A / 400V - 4A
DC-13 operating currents according to IEC 60947-5-1	24V - 2A / 125V - 0.4A / 250V - 0.3A
Switching Frequency [cycles/hour]	1200
Resistance Between Contacts [mΩ]	/
Connecting Cables Dimensions [mm <sup>2</sup> ]	0.34
Marking Terminals	/
Connection scheme	NO: Green/White - NO: Yellow/Blue - NC: Red/Pink - NC: Brown/Grey
Connecting Terminals	PVC cable 8x0.34
Mechanical Durability [Millions of Operations]	1

**PRODUCT DRAWING RELEASE:**

Datasheet creation date: 24/09/2020 16:40

Last Modification (geometry): 13/08/2020 10:02



**DETAILS:**

<b>B10d [Millions of Operations]</b>	<b>2</b>
<b>Related Products</b>	<b>M OSSD, MS1, ECS</b>

**PRODUCT DRAWING RELEASE:**

Datasheet creation date: 24/09/2020 16:40

Last Modification (geometry): 13/08/2020 10:02

tel. +39 039 9906408  
+39 039 9903468  
fax +39 039 9906203Via Novarino 9/L  
23899 Robbiate (LC)  
ITALY[www.comepi.it](http://www.comepi.it)  
[comepi@comepi.it](mailto:comepi@comepi.it)  
[tecnico@comepi.it](mailto:tecnico@comepi.it)