

TL Series Air Lubricator

Air Lubricator

It adopts balanced inlet with relief device. With the advantages of stable pressure, high precision, quick reaction and firm lockup, can be freely combined with other air-source treatment products.

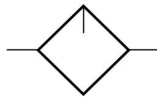


● TL2000-02 ● TL2000-02U ● TL4000-04

Ordering Code

TL	2000	02	U
Series	Type	Pipe size	Iron Shell
	1000	M5	No Mark :
	2000	01 : G1/8	2000 No Iron Shell
	3000	02 : G1/4	3000 ~ 5000 With Iron Shell
	4000	03 : G3/8	U:2000 With Iron Shell
	5000	04 : G1/2	
		06 : G3/4	
		10 : G1	

Graphics Sign

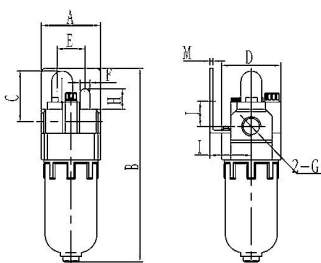


Technical Parameter

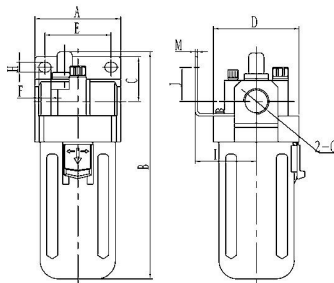
Specification	TL1000-M5	TL2000-02/01	TL3000-03/02	TL4000-04/03	TL4000-06	TL5000-10/06
Applicable Medium	Air					
Rating Flow(L/min)	95	800	1700	5000	6300	7000
Work Pressure	0.05 ~ 1MPa					
Medium Temperature	0 ~ 60°C					
Recommended Lubricating Oil	ISOVG32 or Equivalent					
Min. Flow For Oil Drip	4L/min	15L/min	30L/min	50L/min	50L/min	190L/min
Lubricating Oil Capacity	4cm ³	25cm ³	50cm ³	130cm ³		

Figure Dimension

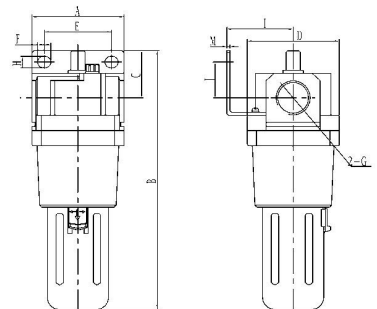
● TL1000-M5
TL2000-02/01



● TL3000-03/02 TL4000-04/03
TL4000-06



● TL5000-10/06



Type	A	B	C	D	E	F	G	H	I	J	M
TL1000-M5	25	87	14	27	28	6.5	M5	4.5	25	14	2
TL2000-02/01	40	131	34	40	19	6.5	G1/4	16	40	17	2.3
TL3000-03/02	53	146	30	53	40	8	G3/8	6.5	56	23	2.3
TL4000-04/03	70	180	37	70	54	10.5	G1/2	8.5	50	26	2.3
TL4000-06	76	199	37	70	54	10.5	G3/4	8.5	50	26	2.3
TL5000-10/06	90	254	46	90	66	13	G1	11	65	35	3.2