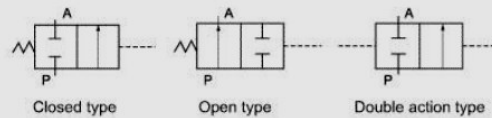


Angle seat valve ASV200 series

Symbol:



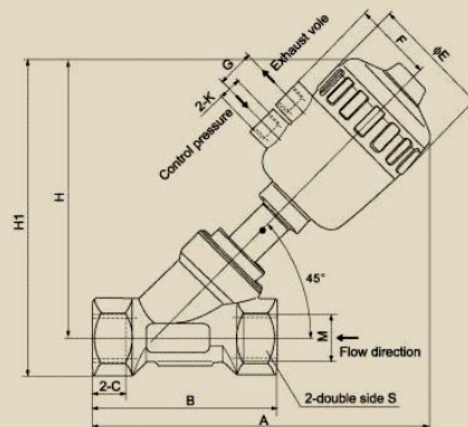
How to order

ASV20	0	G	- 04
2/2 way Angle seat valve	0: closed 1: open 2: double action	Nil: stainless steel (standard) G: brass	Port size 04: 1/2" 06: 3/4" 10: 1" 12: 1 1/4" 14: 1 1/2" 20: 2" 24: 2 1/2"

Specification

Model	ASV20 □ -04 91198	ASV20 □ -06 91200	ASV20 □ -10 91202	ASV20 □ -12 91204	ASV20 □ -14 91206	ASV20 □ -20 91207	ASV20 □ -24
Fluid	Air, Water, Oil (filtered through 40μ filter element)						
Effective area (mm ²)	13	20	25	32	40	50	65
CV Value	4.9	9.3	22.2	32.1	49	60.7	64.2
Port size	1/2"	3/4"	1"	1 1/4"	1 1/2"	2"	2 1/2"
Operating pressure	0~1.6Mpa						
Proof pressure	2.4Mpa						
Max. operating pressure	1.6Mpa						
Control pressure range	0.4~1.0Mpa						
Medium temperature	-10~180°C						
Ambient & fluid temperature	-10~60°C						
Min. control pressure	0.39Mpa		0.2Mpa				0.16Mpa
Piston dia.(mm)	50		63				80
Direction of flow	Above the seat (NC type)						
Weight (kg)							
Main parts material	Blank: stainless steel(standard) / G: brass						

Dimension



Model	Specification	Orifice size	A	B	C	φE	F	G	H	H1	K	M	S	
Stainless steel Brass valve														
ASV20 □ -04	ASV20 □ G-04	DN13	13	173	85	12	64.5	44	24	137	154	G1/2	G1/2	27
ASV20 □ -06	ASV20 □ G-06	DN20	20	178	95	14	64.5	44	24	145	160	G1/2	G3/4	32
ASV20 □ -10	ASV20 □ G-10	DN25	25	212	105	18	80.5	52	24	173	196.5	G1/2	G1	41
ASV20 □ -12	ASV20 □ G-12	DN32	32	226	120	18	80.5	52	24	186	208.5	G1/2	G1 1/4	50
ASV20 □ -14	ASV20 □ G-14	DN40	40	230	130	18	80.5	52	24	189	214	G1/2	G1 1/2	55
ASV20 □ -20	ASV20 □ G-20	DN50	50	250	150	20	80.5	52	24	205	237.5	G1/2	G2	70
ASV20 □ -24	ASV20 □ G-24	DN65	65	298	185	25	101.5	60	24	241	283.5	G1/2	G2 1/2	85